



INSTALLATION INSTRUCTIONS

Accessory

BASE DELETE TRUNK
P/N 08F71-MKC-A00

Application

GL1800/D/DA

Publication No.

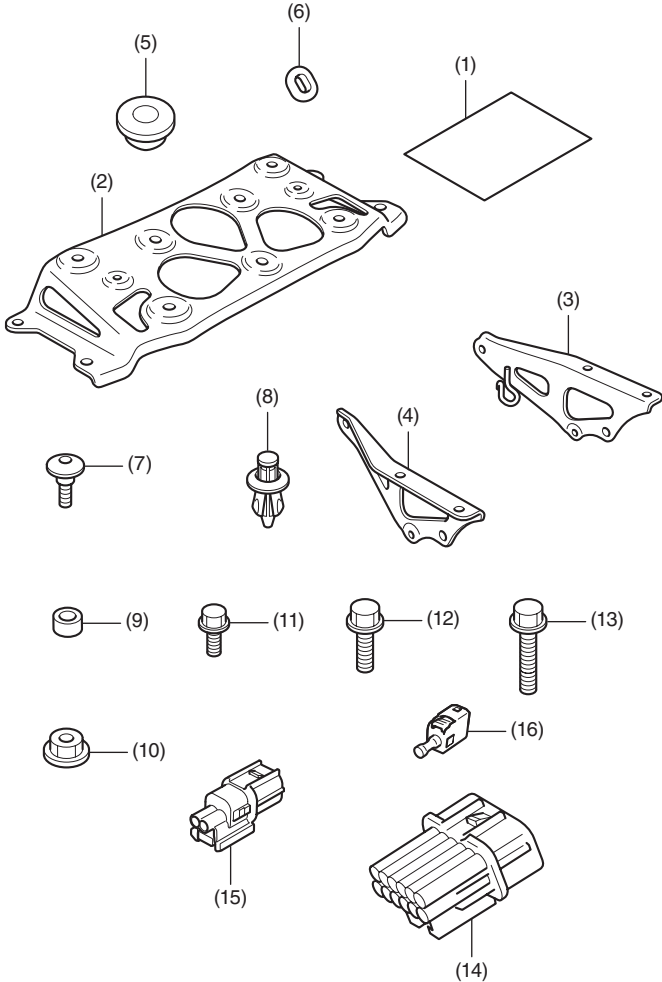
MII

Issue Date

January 2021

Honda Dealer: Please give a copy of these instructions to your customer.

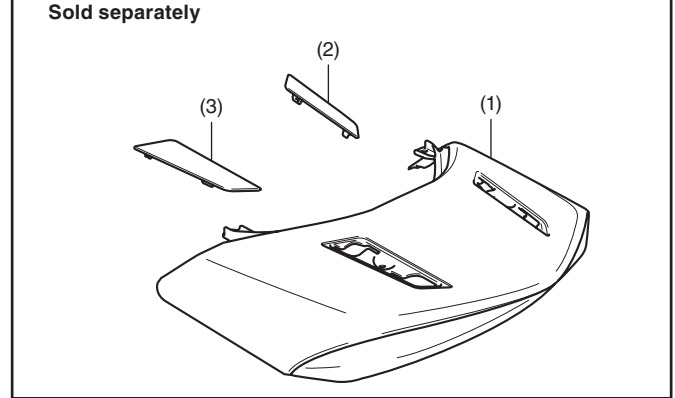
PARTS LIST



No.	Description	Qty
(1)	Installation Instructions URL	1
(2)	Rear cross plate	1
(3)	Right luggage stay	1
(4)	Left luggage stay	1
(5)	Rubber	1
(6)	Grommet	4
(7)	5 mm screw	2
(8)	Clip	2
(9)	Collar	4
(10)	8 mm flange nut	4
(11)	6 mm flange bolt	2
(12)	8 mm flange bolt (short)	4
(13)	8 mm flange bolt (long)	4
(14)	12-pin waterproof dummy connector	1
(15)	2-pin waterproof dummy connector	1
(16)	Jack cap	1

COLOR DELETE TRUNK

Sold separately



No.	Description	Qty
(1)	Center rear top cover	1
(2)	Right rear top lid	1
(3)	Left rear top lid	1

TOOLS AND SUPPLIES REQUIRED

Socket (10 and 12 mm)

Ratchet

Box-end wrench (12 mm)

Hex wrench (5 mm)

Synthetic detergent solution

(Water : Synthetic detergent / 100 : 1)

Shop towel

Torque wrench

TORQUE CHART

Tighten all screws, bolts, and nuts to their specified torque values. Refer to the Service Manual for the torque values of the removed parts.

Item	N-m	kgf-m	lbf-ft
5 mm screw	4.2	0.4	3.1
6 mm flange bolt	12	1.2	9
8 mm flange bolt and nut	27	2.8	20

INSTALLATION

▲ CAUTION

- To prevent burns, allow the engine, exhaust system, radiator, etc., to cool before installing the accessory.

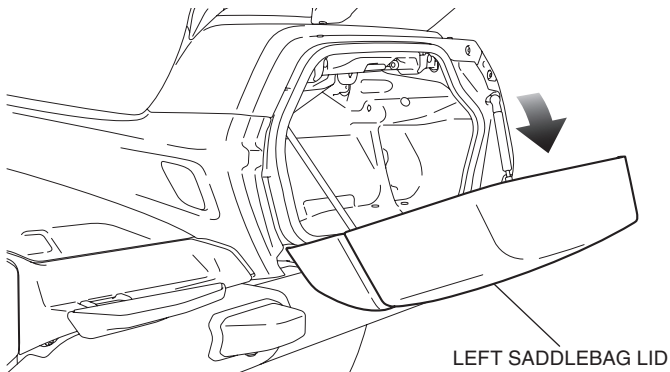
NOTE:

- Disconnect the negative (-) cable from the battery before installing this accessory.
- The memories of the clock will be erased when you disconnect the battery. Reset the memories after reconnecting the battery.
- Reinstall the removed parts on the motorcycle and make sure that the wires and harnesses are not pinched.

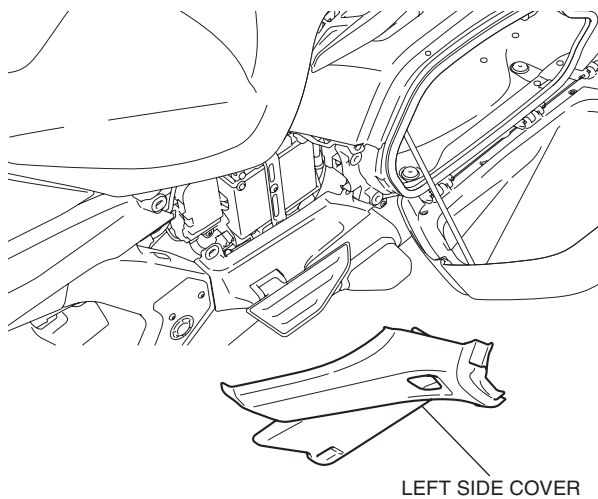
1. Open the left saddlebag lid as shown.

- Repeat on the right side.

<Left side>

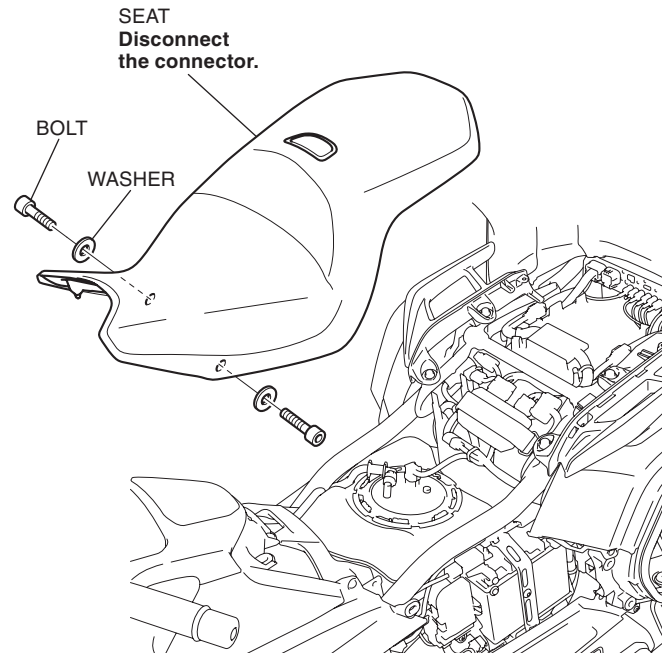


2. Remove the left side cover as shown, and disconnect the negative (-) cable of the battery.

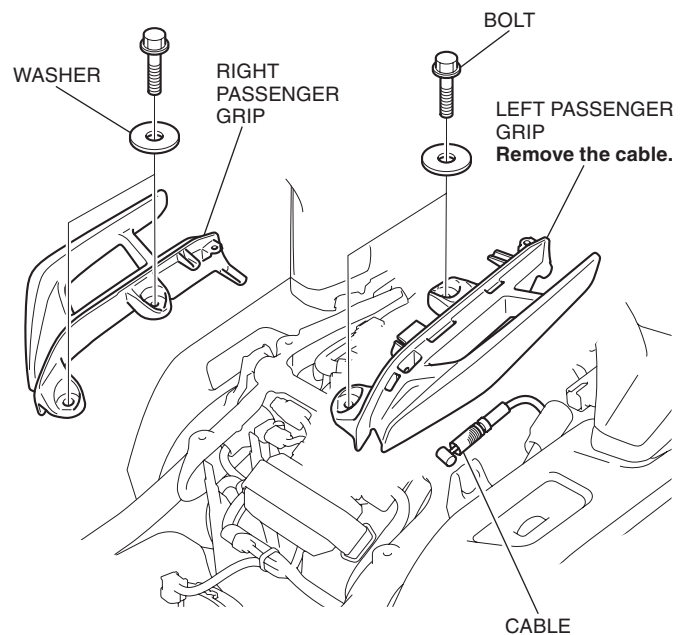


3. Remove the right side cover in the same manner as the left side.

4. Remove the seat as shown.

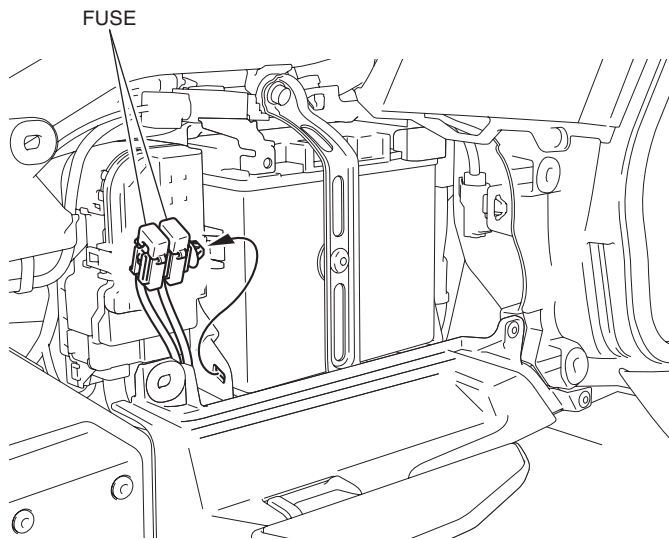


5. Remove the right and left passenger grip as shown.



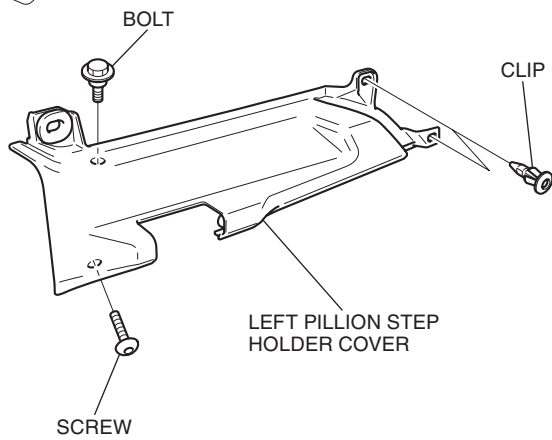
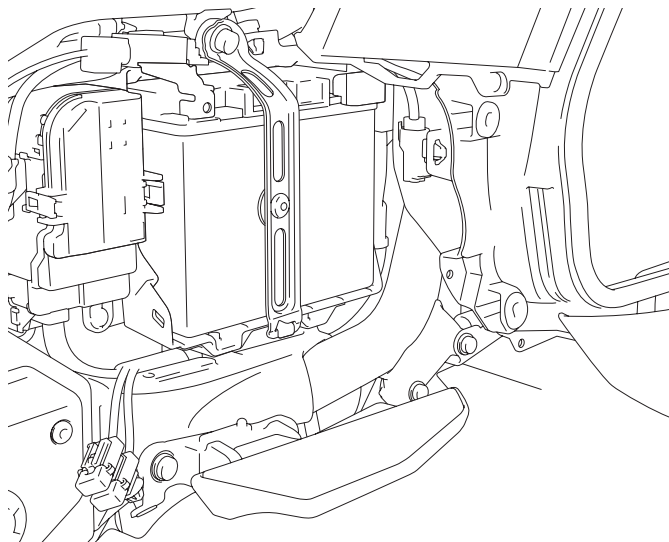
6. Remove the fuses as shown.

<Left side>



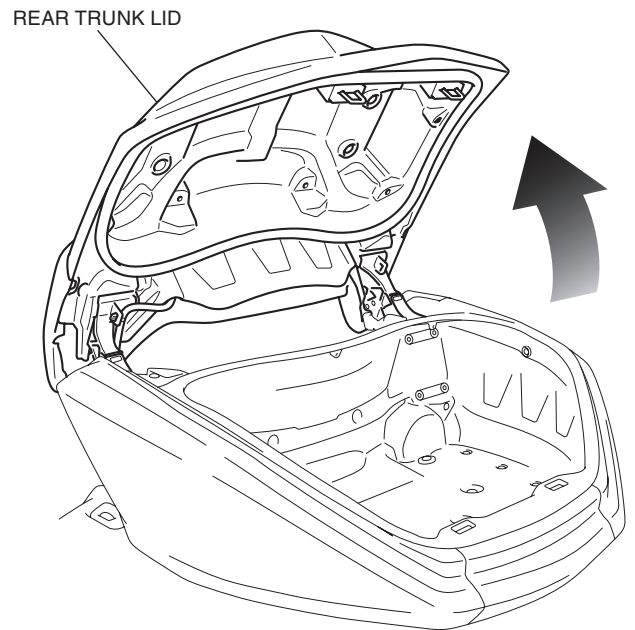
7. Remove the left pillion step holder cover as shown.

• Repeat on the right side.



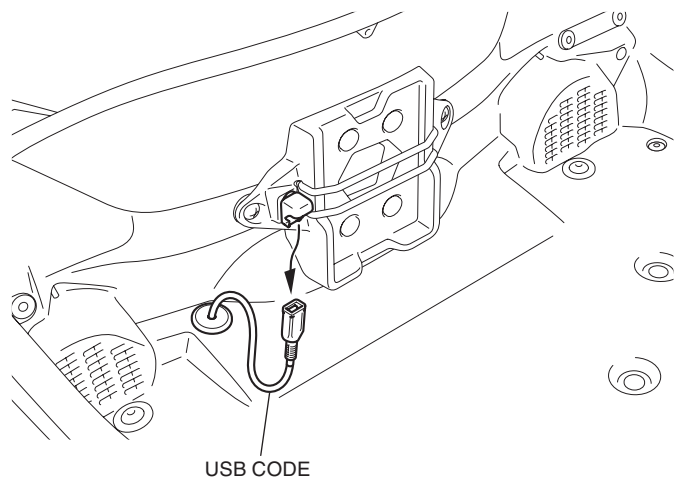
8. Open the rear trunk lid as shown.

• Refer to the Owner's Manual and using an emergency trunk cable to open the rear trunk lid.

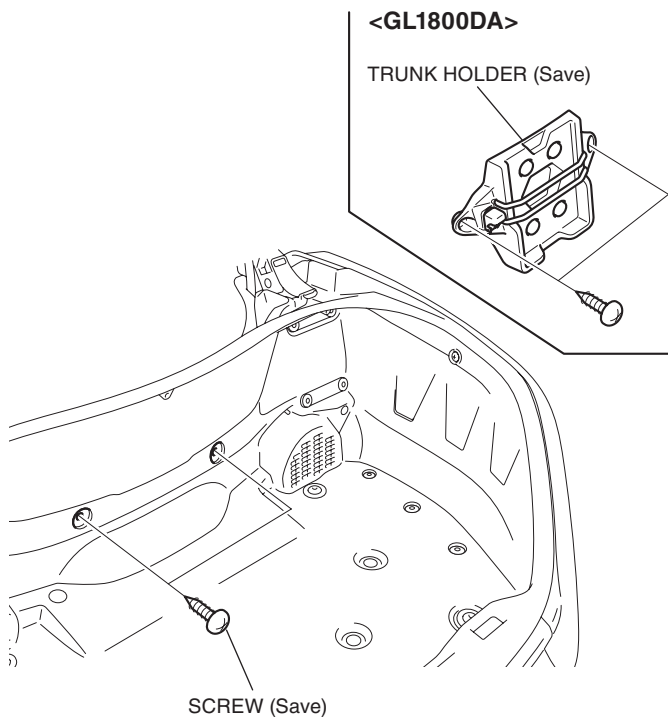


9. Remove the USB code as shown.

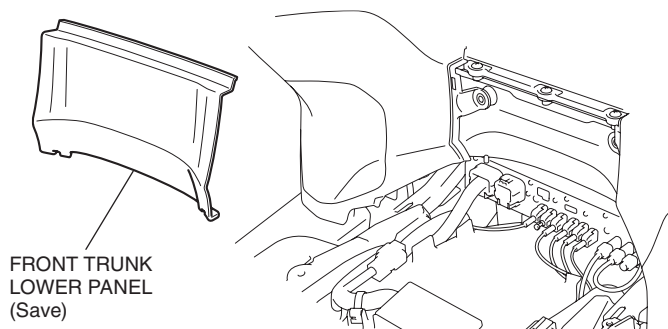
• Perform this step on GL1800DA only.



10. Remove the parts as shown.

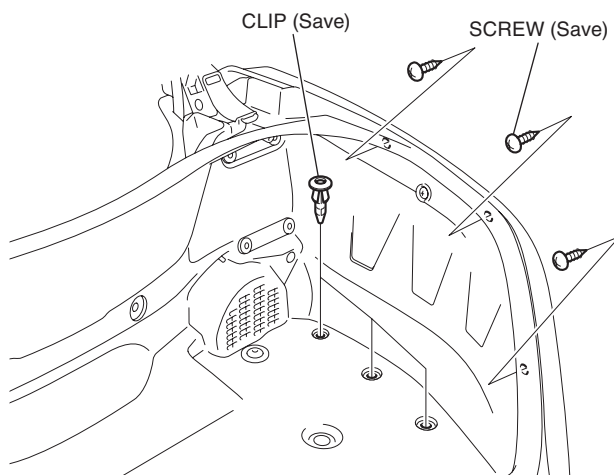


11. Remove the front trunk lower panel as shown.



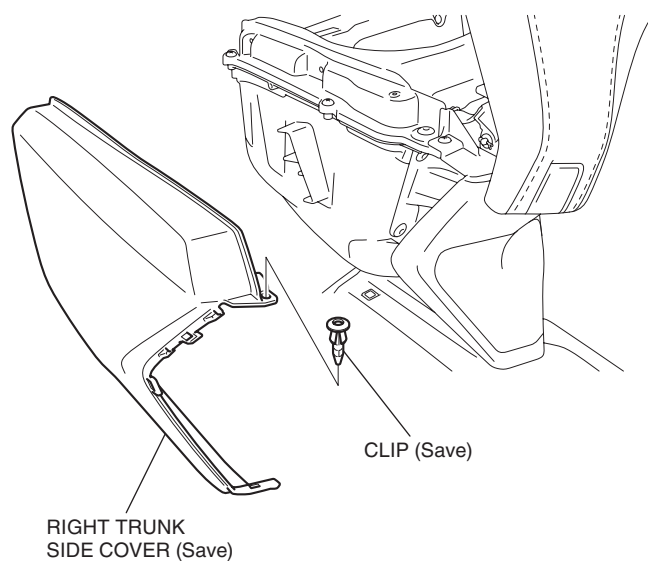
12. Remove the parts as shown.

- Repeat on the left side.



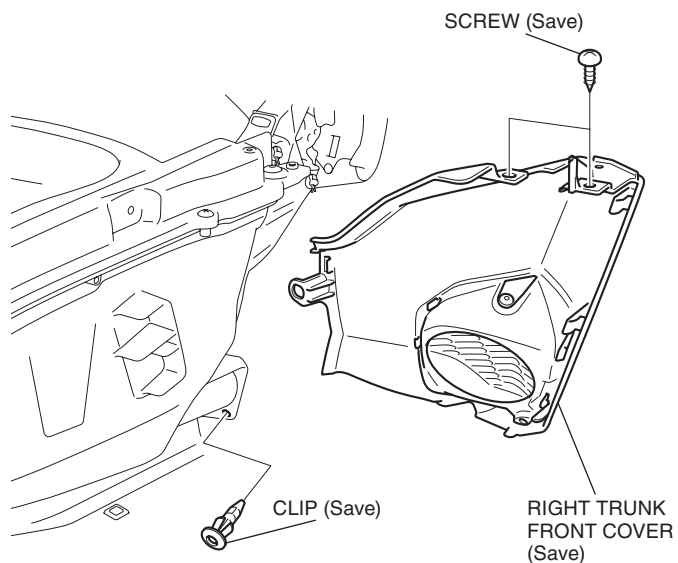
13. Remove the right trunk side cover as shown.

<Right side>



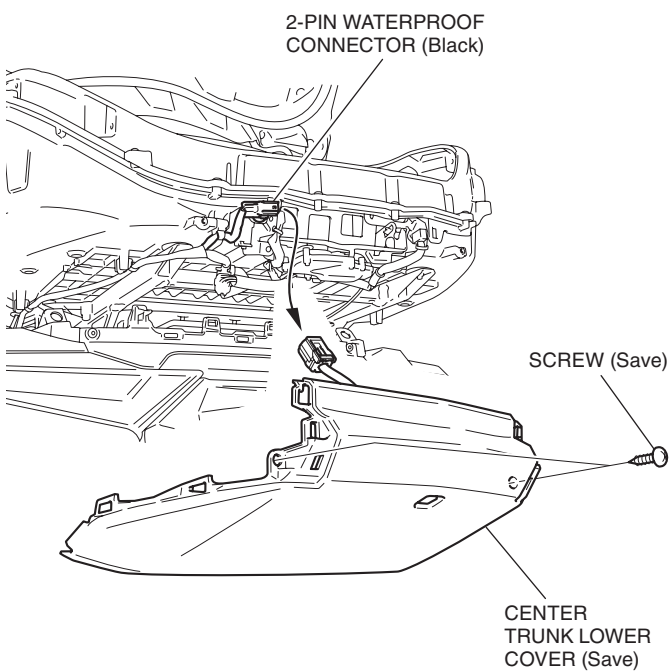
14. Remove the right trunk front cover as shown.

<Right side>

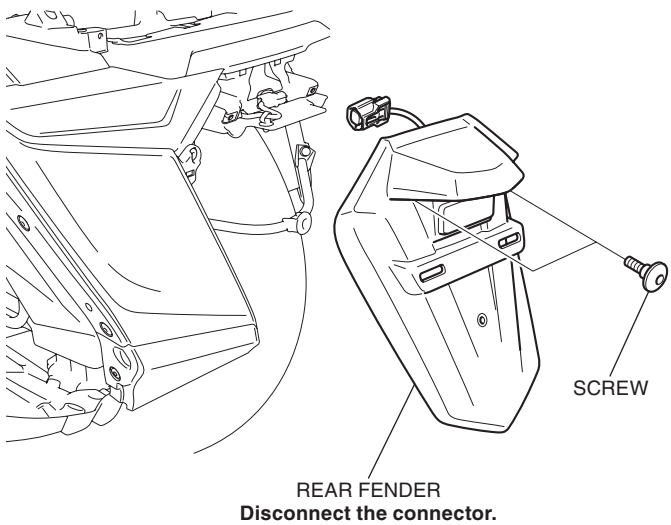


15. Remove the left trunk side cover and left trunk front cover in the same manner as the right side.

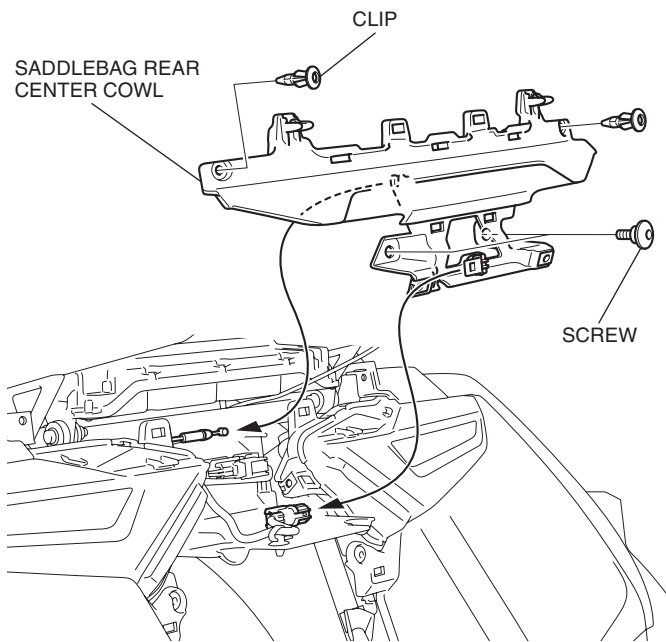
16. Disconnect the connector and remove the center trunk lower cover as shown.



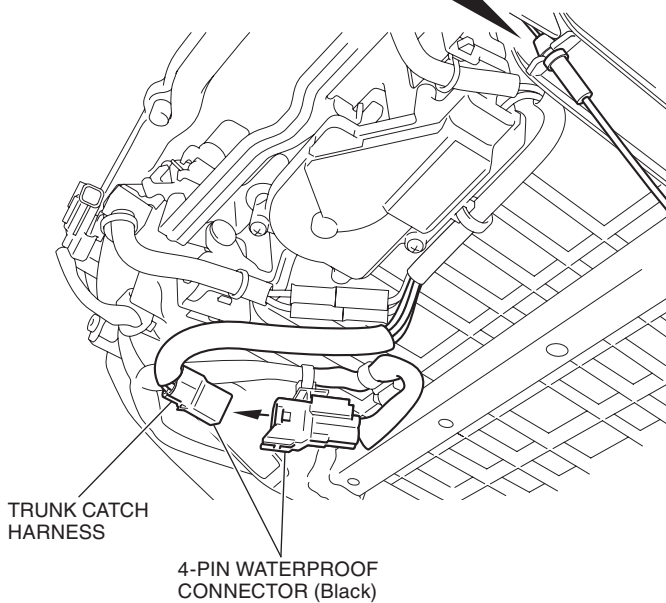
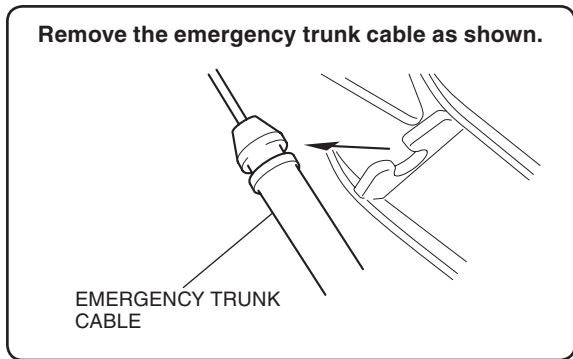
17. Remove the rear fender as shown.



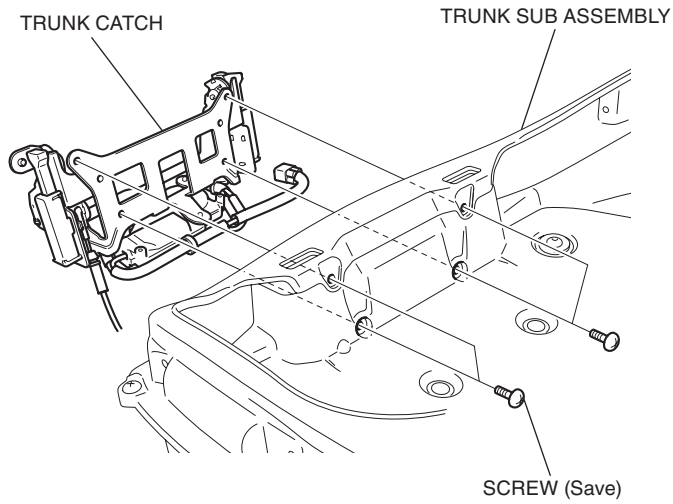
18. Remove the saddlebag rear center cowl as shown.



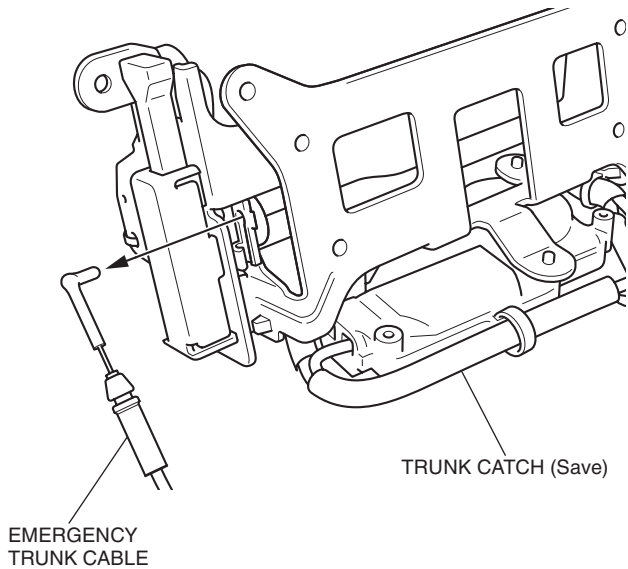
19. Disconnect the trunk catch harness as shown.



20. Remove the trunk catch as shown.



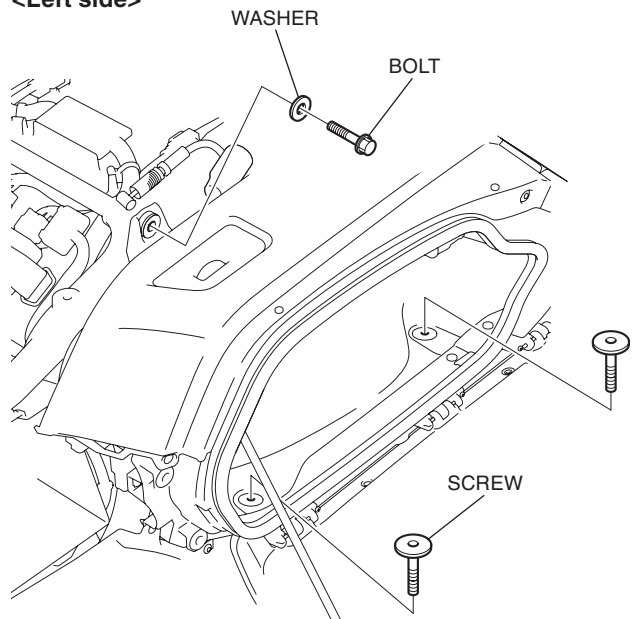
21. Remove the emergency trunk cable to the trunk catch as shown.



22. Remove the parts as shown.

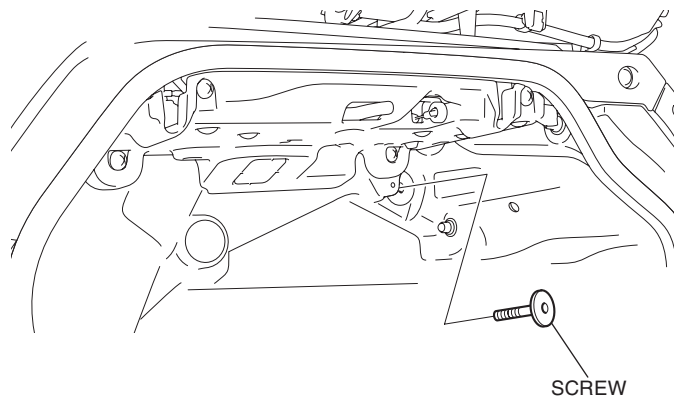
- Repeat on the right side.

<Left side>



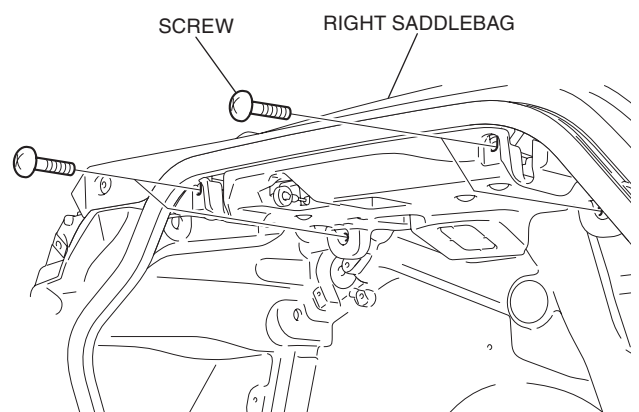
23. Remove the screw as shown.

- Repeat on the right side.

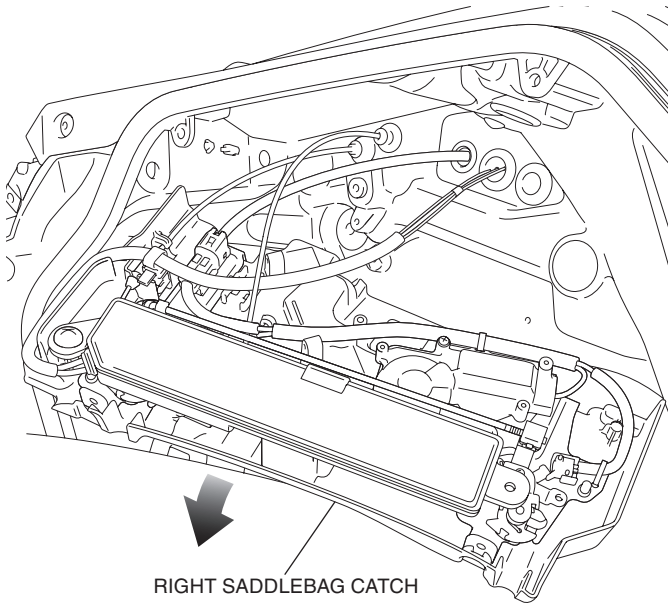


24. Remove the screws as shown.

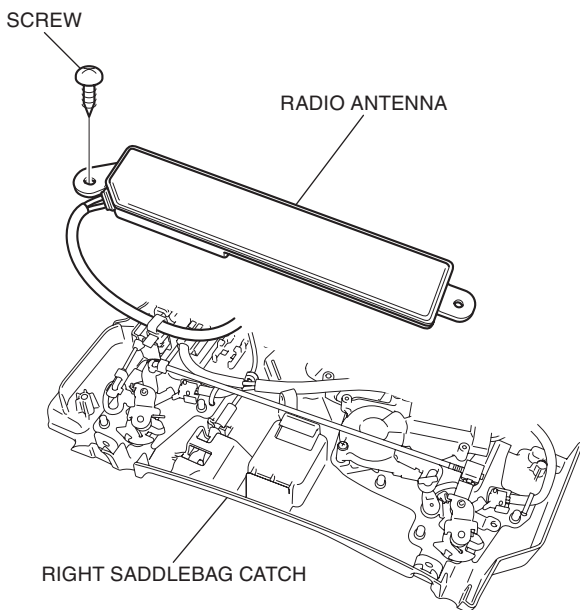
<Right side>



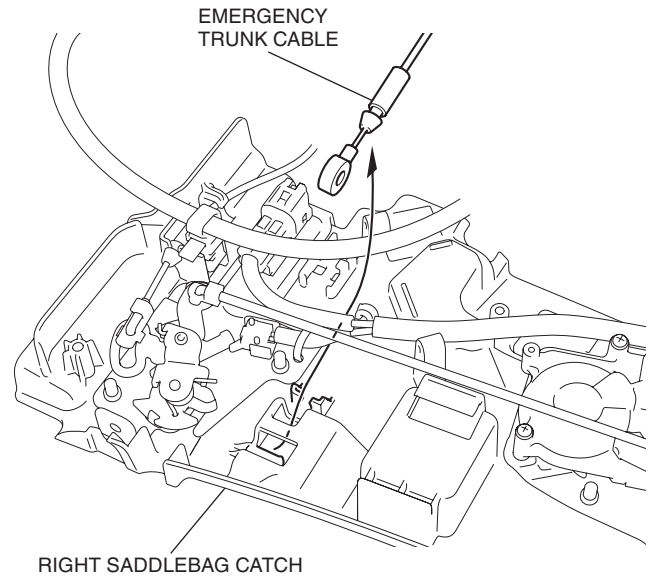
25. Move the right saddlebag catch as shown.



26. Remove the radio antenna as shown.

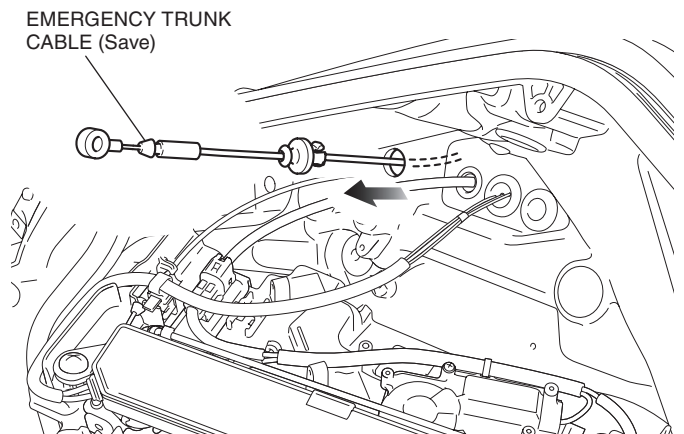


27. Remove the emergency trunk cable as shown.

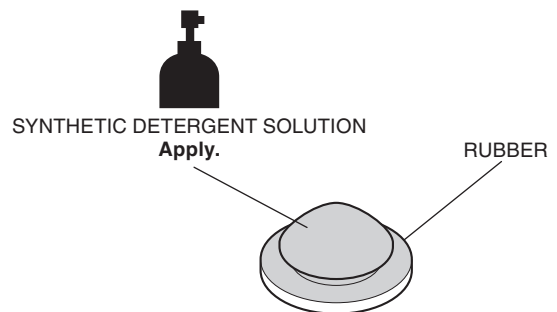


28. Install the radio antenna in the reverse order of removal.

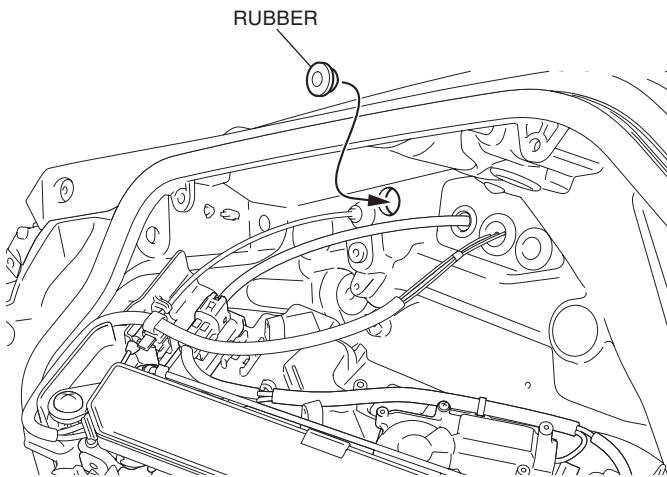
29. Remove the emergency trunk cable as shown.



30. Apply synthetic detergent solution to the position shown.



31. Install the rubber as shown.

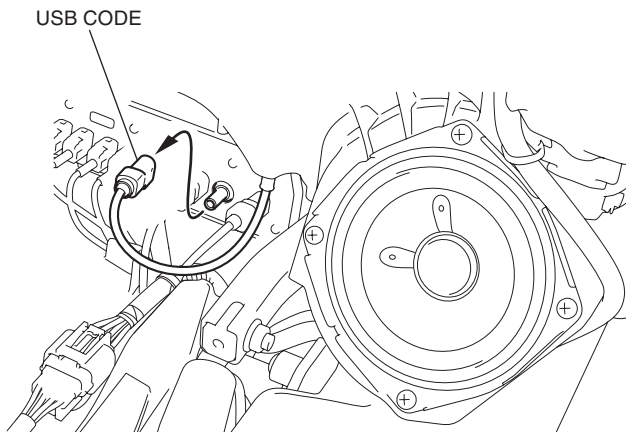


32. Install the right saddlebag catch in the reverse order of removal.

33. Remove the USB code as shown.

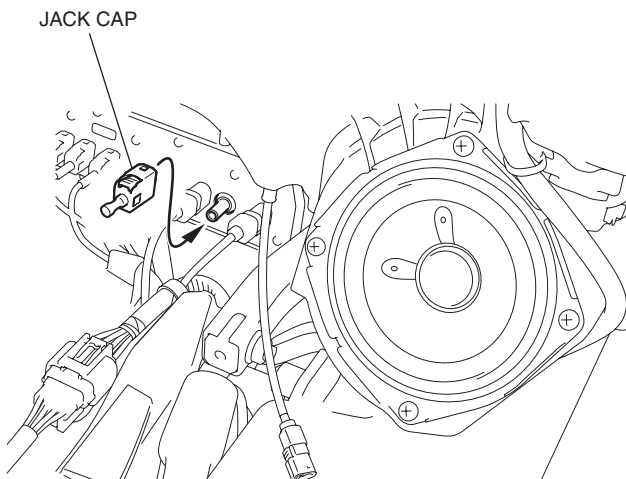
- Perform this step on GL1800DA only.

<Left side>

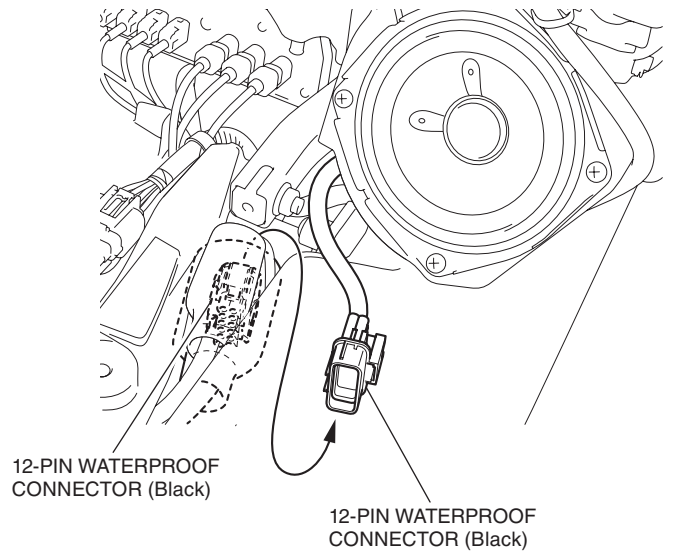


34. Install the jack cap as shown.

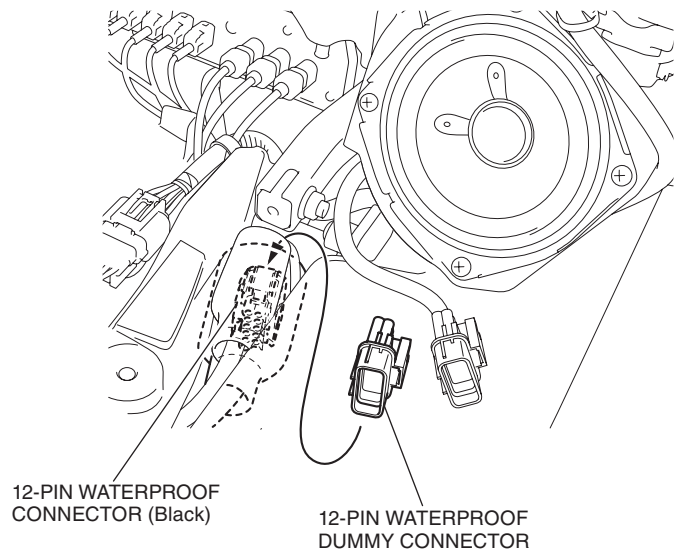
- Perform this step on GL1800DA only.



35. Disconnect the connector as shown.

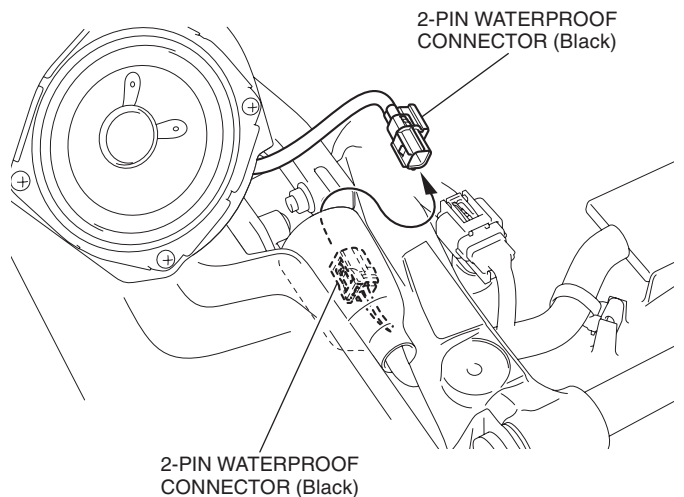


36. Install the dummy connector as shown.

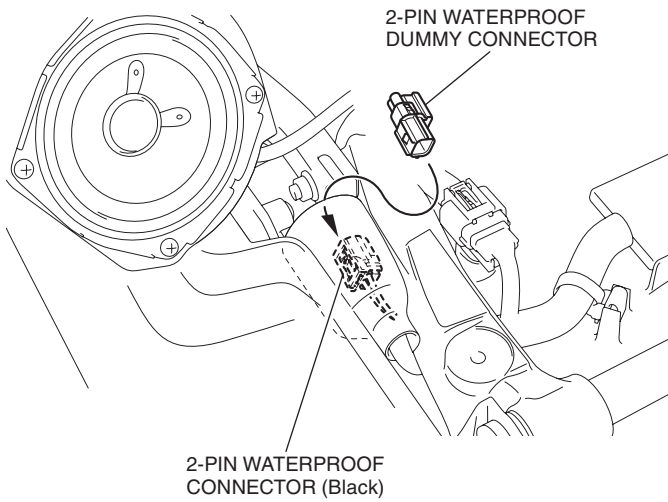


37. Disconnect the connector as shown.

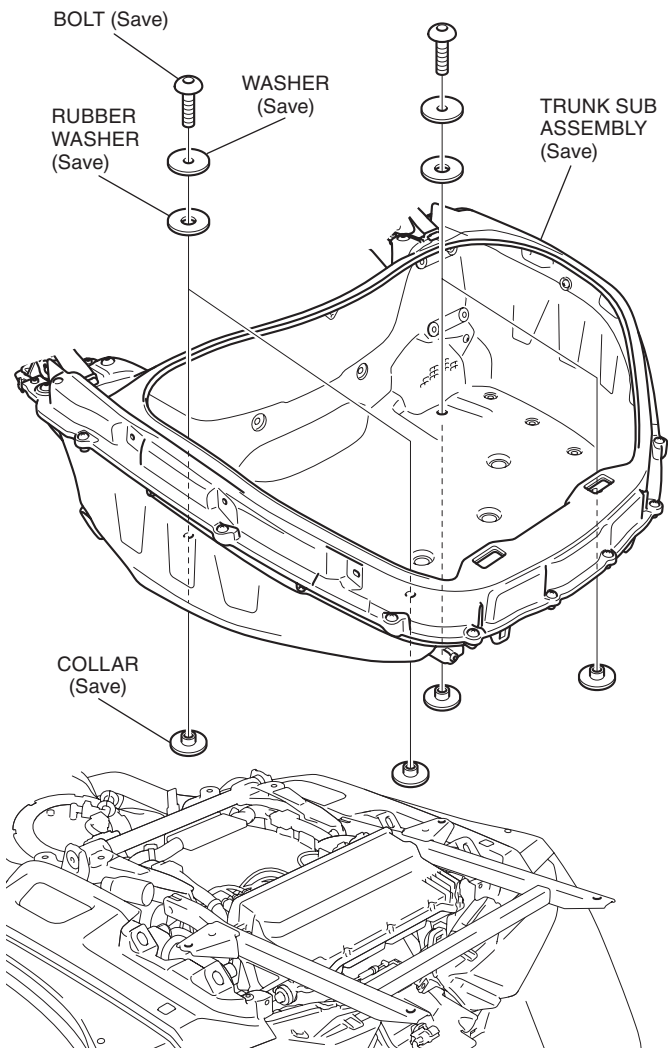
<Right side>



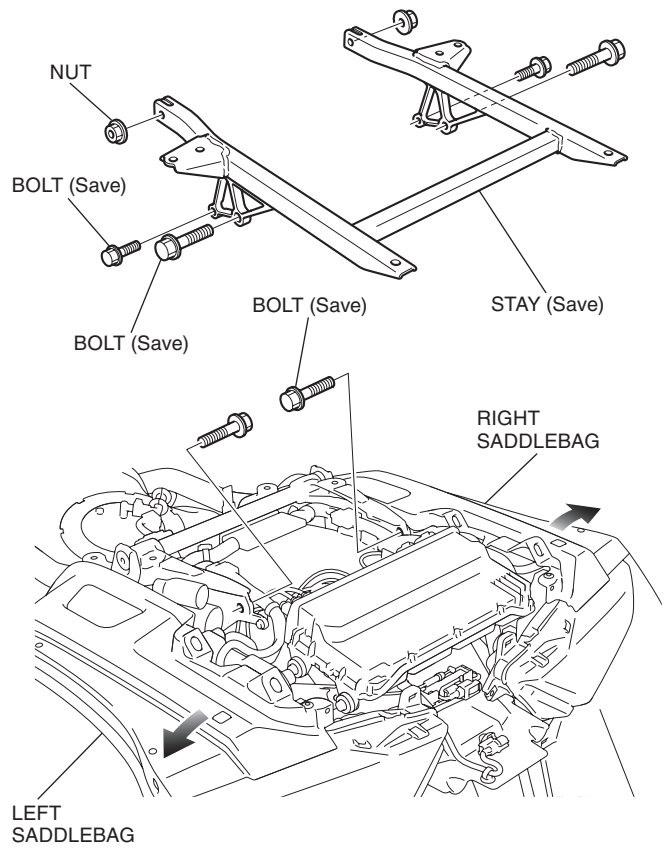
38. Install the dummy connector as shown.



39. Remove the trunk sub assembly as shown.



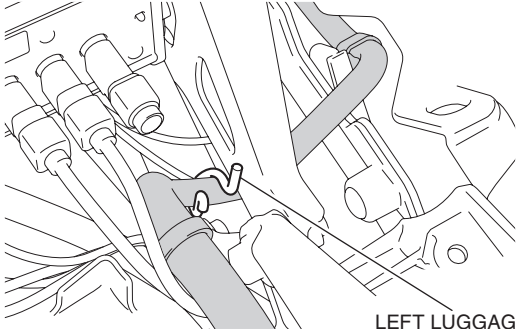
40. Move the right and left saddlebag and remove the stay as shown.



41. Install the left luggage stay as shown.
- Confirm that any wire harness is not caught or too tight.
 - Repeat on the right side.

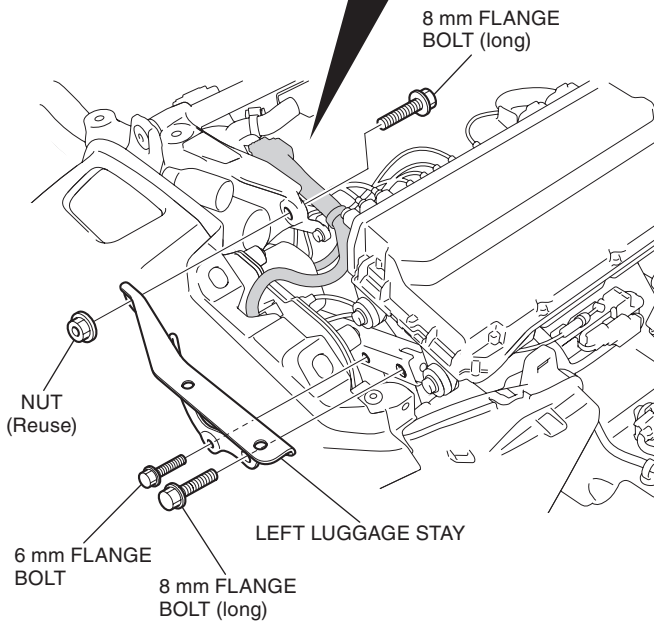
<Left side>

Pass the motorcycle's harness through the left luggage stay guide as shown.



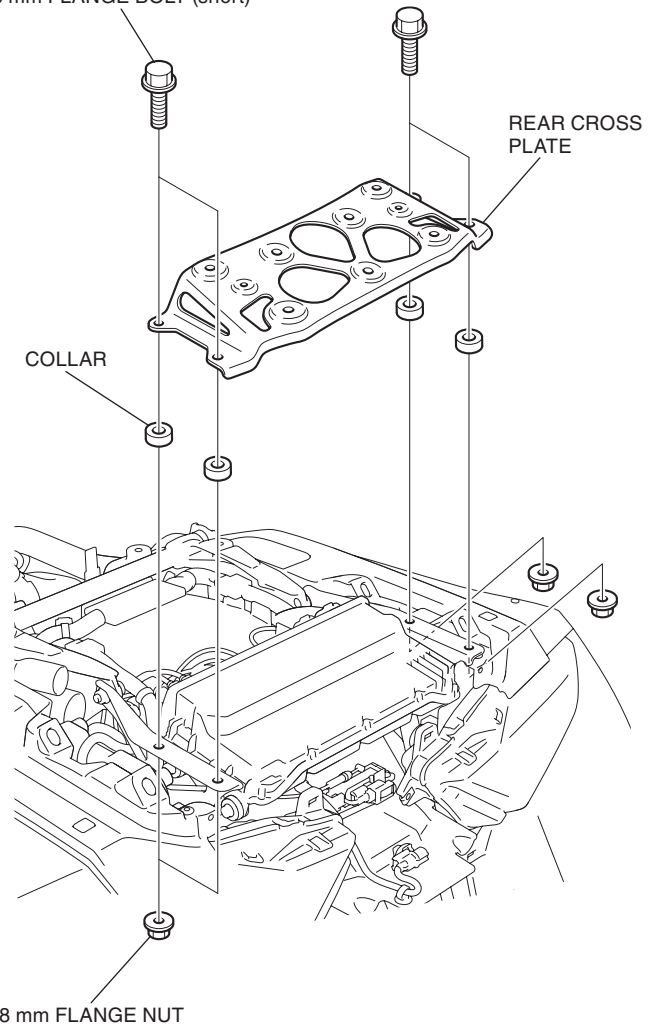
LEFT LUGGAGE STAY GUIDE

- Repeat on the right side.



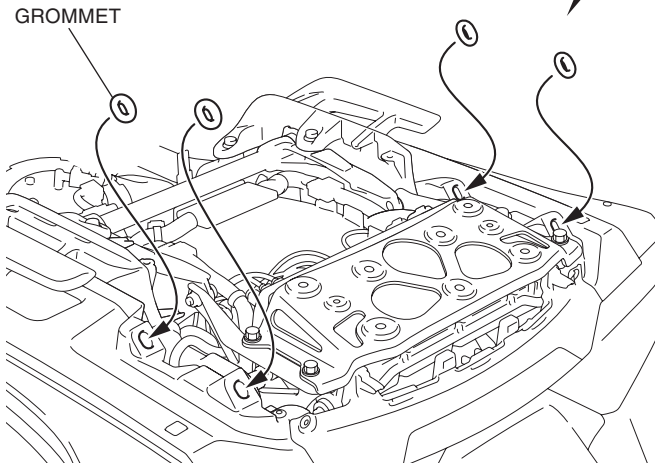
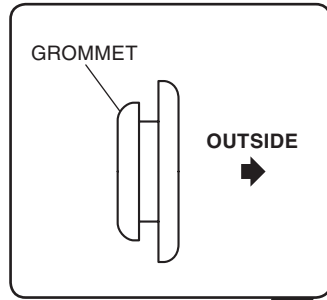
42. Install the rear cross plate as shown.

8 mm FLANGE BOLT (short)

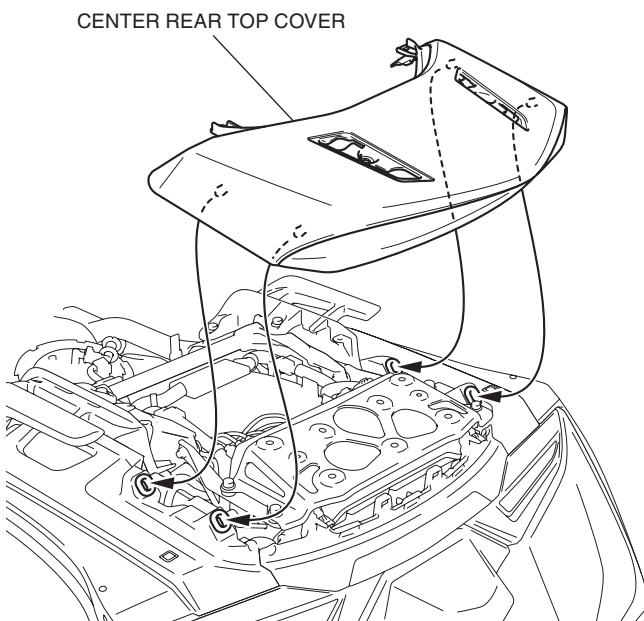


43. Install the right and left saddlebag in the reverse order of removal.
44. Install the rear fender, saddlebag rear center cowl, right and left passenger grip in the reverse order of removal.

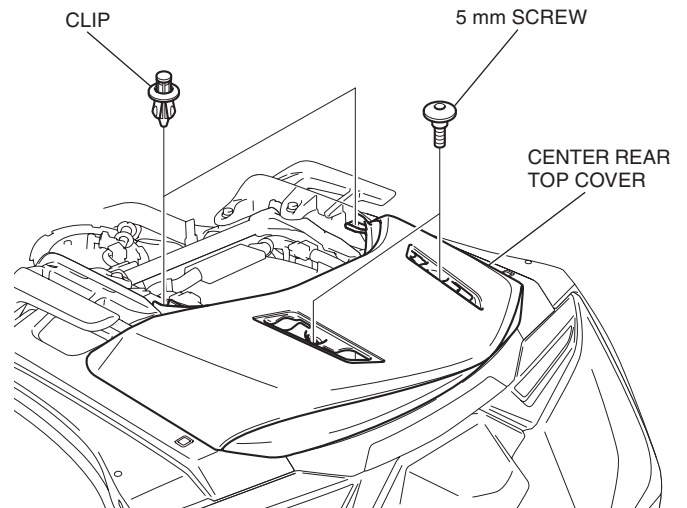
45. Install the grommets as shown.



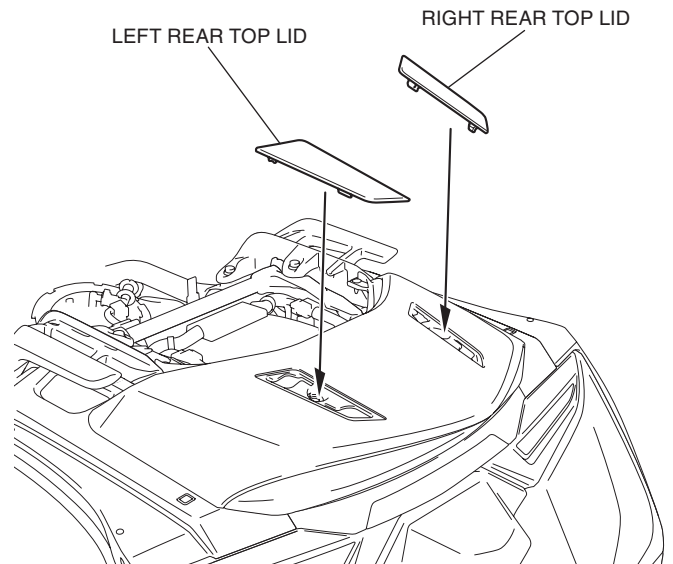
46. Install the center rear top cover as shown.



47. Install the clips and 5 mm screws as shown.



48. Install the right and left rear top lid as shown.



49. Install the motorcycle's parts in the reverse order of removal.

- **Confirm that any wire harness is not caught or too tight.**