



INSTALLATION INSTRUCTIONS

Accessory

RIDER BACKREST
P/N 08R75-MKC-A00
/08R75-MKC-A01

Application

GL1800/B/BD/D/DA

Publication No.

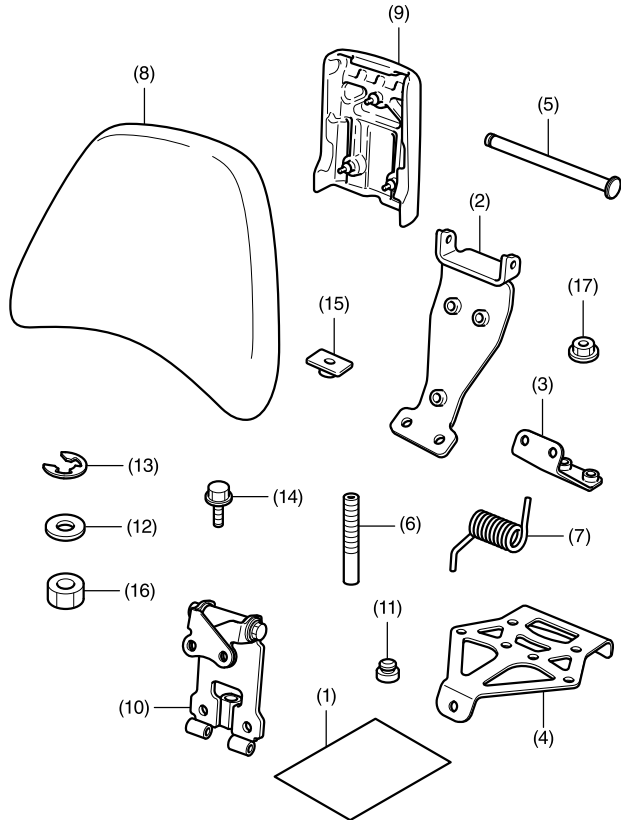
MII

Issue Date

March 2019

Honda Dealer: Please give a copy of these instructions to your customer.

PARTS LIST



No.	Description	Qty
(1)	Installation Instructions URL	1
(2)	Backrest bracket	1
(3)	Bracket	1
(4)	Setplate	1
(5)	Pin	1
(6)	Adjust bolt	1
(7)	Spring	1
(8)	Rider backrest	1
(9)	Arm cover	1
(10)	Arm	1
(11)	Rubber	2
(12)	Washer	1
(13)	E-ring	1
(14)	6 mm flange bolt	9
(15)	Special nut	4
(16)	8 mm nut	1
(17)	6 mm flange nut	2

TOOLS AND SUPPLIES REQUIRED

- Socket (10 mm)
- Ratchet
- Box-end wrench (10 and 12 mm)
- Hex wrench (3 mm)
- Long nose pliers
- Grease
- Shop towel
- Torque wrench

TORQUE CHART

Tighten all screws, bolts, and nuts to their specified torque values. Refer to the Service Manual for the torque values of the removed parts.

Item	N-m	kgf-m	lbf-ft
6 mm flange bolt and nut	12	1.2	9
8 mm nut	22	2.2	16

INSTALLATION

▲ CAUTION

- To prevent burns, allow the engine, exhaust system, radiator, etc., to cool before installing the accessory.

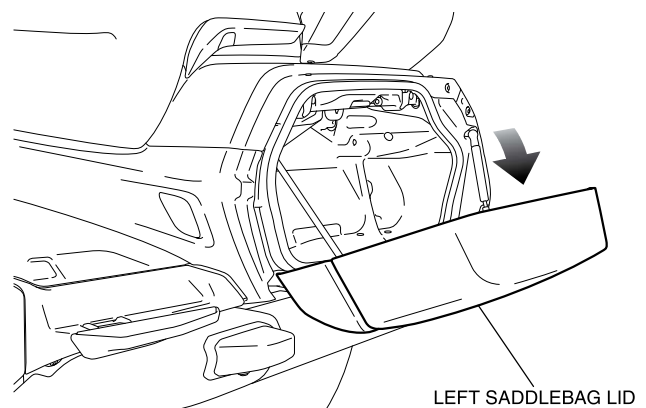
NOTE:

- Disconnect the negative (-) cable from the battery before installing this accessory.
- The memories of the clock will be erased when you disconnect the battery. Reset the memories after reconnecting the battery.

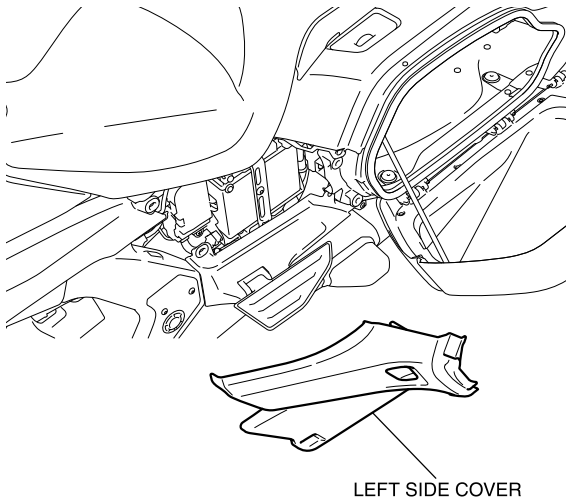
- Open the left saddlebag lid as shown.

- Repeat on the right side.

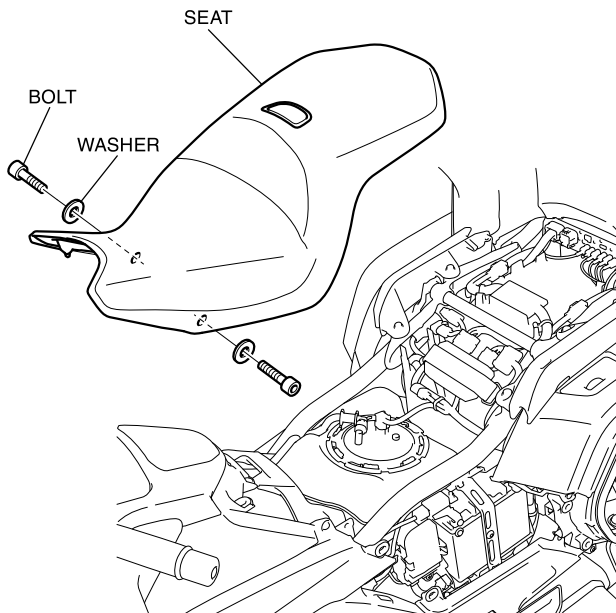
<Left side>



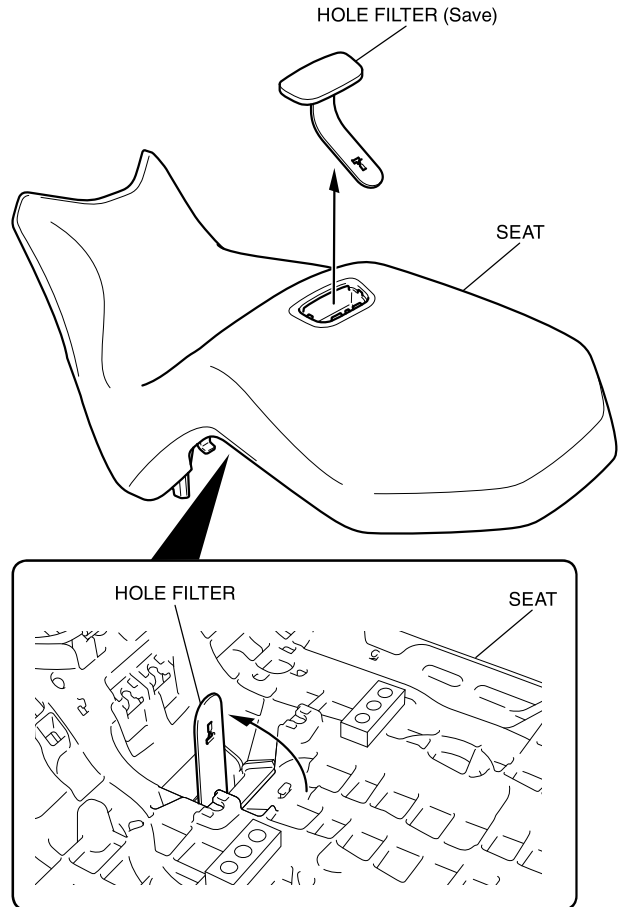
2. Remove the left side cover as shown, and disconnect the negative (-) cable of the battery.



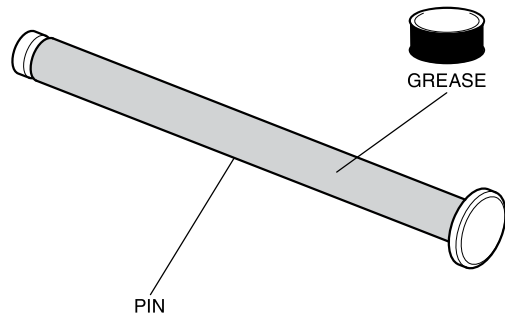
3. Remove the right side cover in the same manner as the left side.
4. Remove the seat as shown.
• **Disconnect the connector for GL1800/D/DA.**



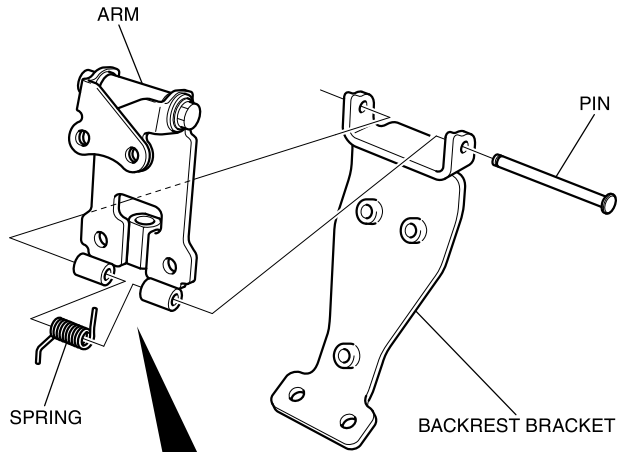
5. Remove the hole filter as shown.



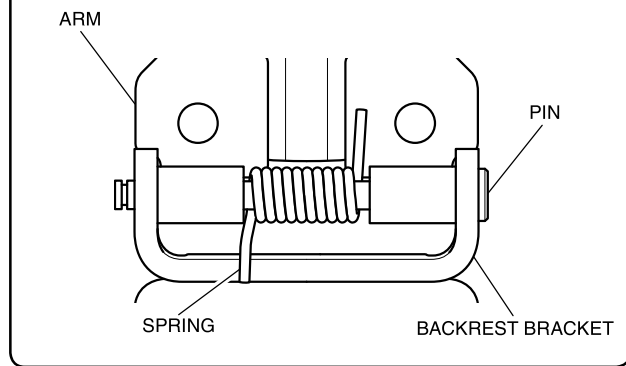
6. Apply grease to the position shown.



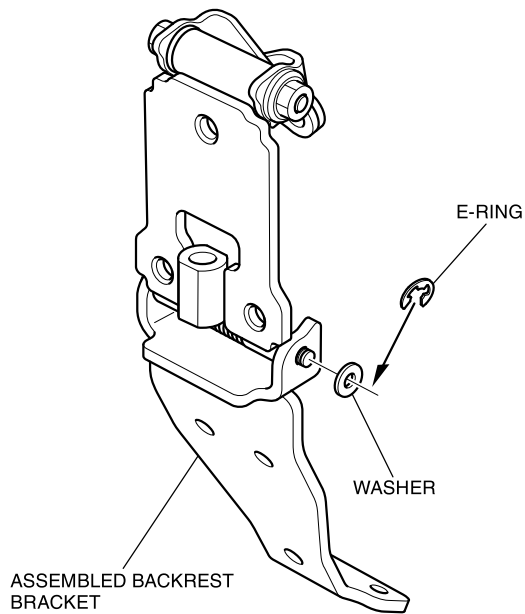
7. Pass the pin through the backrest bracket and arm.



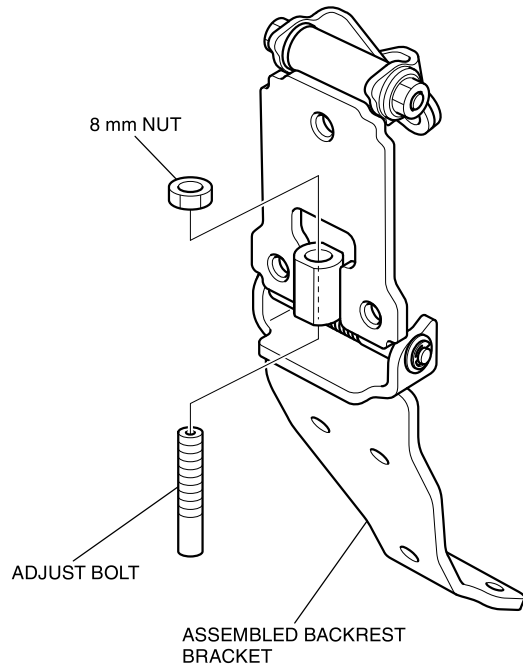
Install the spring as shown.



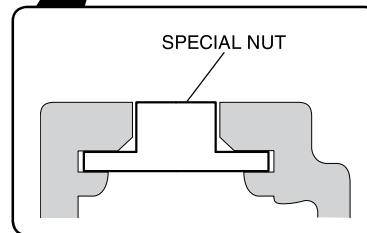
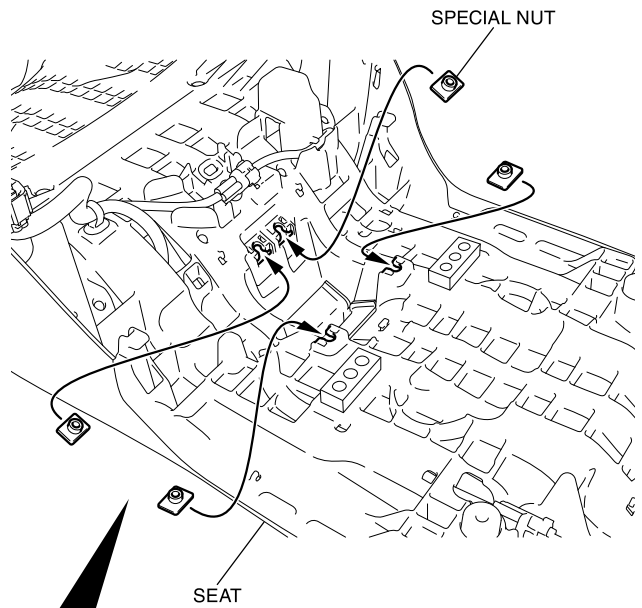
8. Install the E-ring as shown.



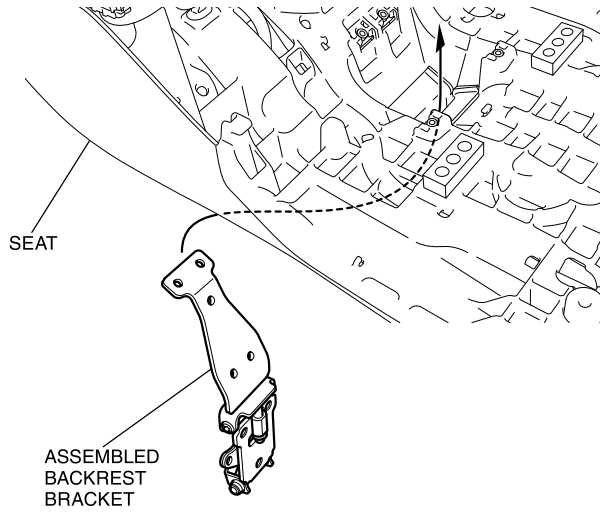
9. Loosely install the adjust bolt as shown.



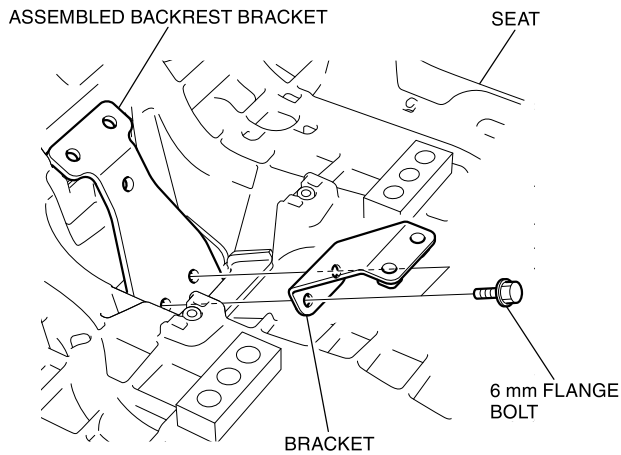
10. Install the special nuts as shown.



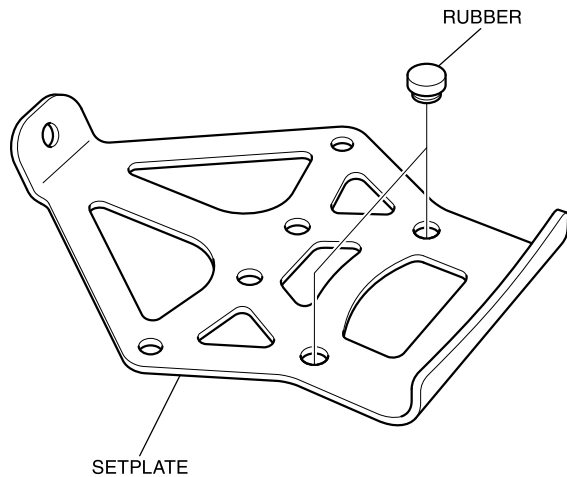
11. Insert the assembled backrest bracket as shown.



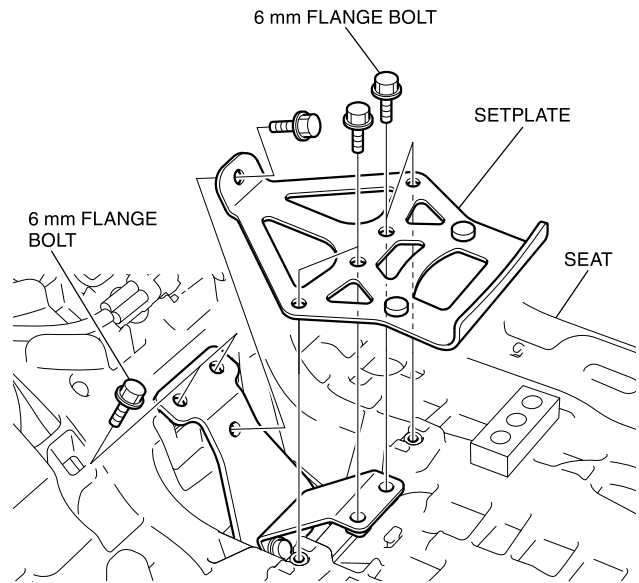
12. Install the bracket as shown.



13. Install the rubbers as shown.



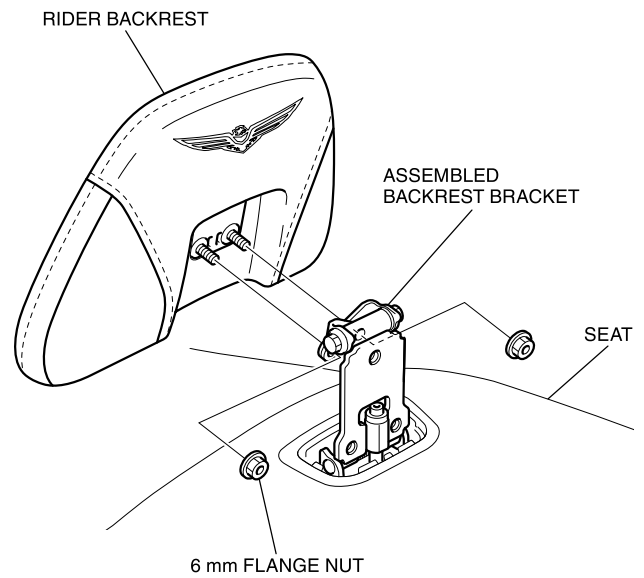
14. Install the setplate as shown.



15. Install the seat in the reverse order of removal.

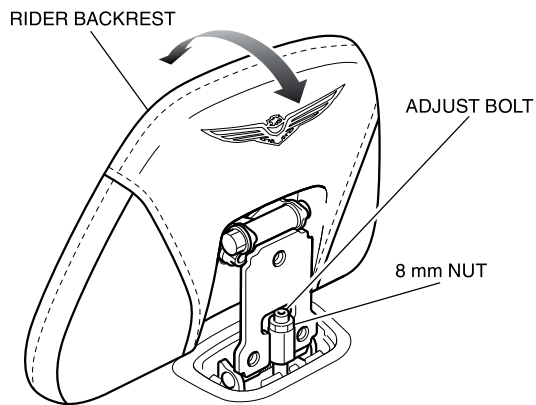
16. Loosely install the rider backrest as shown.

- While holding the rider backrest, tighten the 6 mm flange nuts by hand.

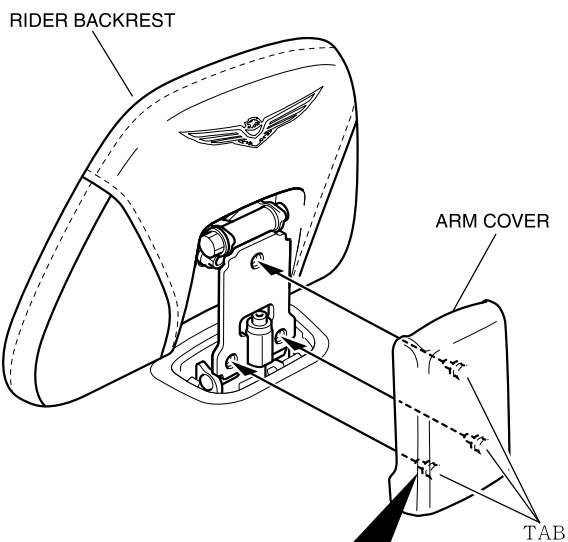


17. Tighten the loosely installed 6 mm flange nuts securely.

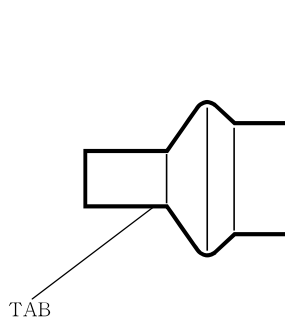
18. Tighten the loosely installed adjust bolt and 8 mm nut securely.
- **Adjust the position of the rider backrest with the adjust bolt and tighten the 8 mm nut.**



19. Install the arm cover as shown.
- Apply soap water to the tab during installation / removal.



Apply soap water to the tab during installation / removal



20. Install the motorcycle's parts in the reverse order of removal.
- **Confirm that any wire harness is not caught or too tight.**