



INSTALLATION INSTRUCTIONS

Accessory

AIR DEFLECTOR B
P/N 08R73-MKC-A01

Application

GL1800/B/BD/D/DA

Publication No.

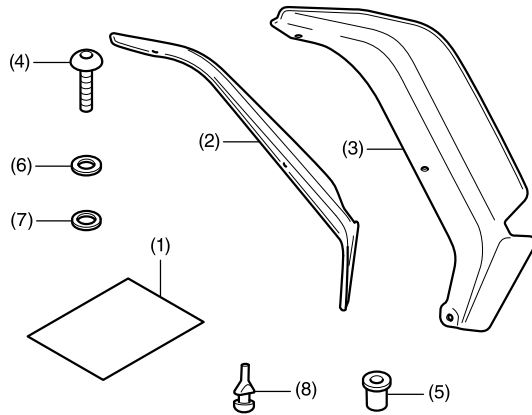
MII

Issue Date

September 2017

Honda Dealer: Please give a copy of these instructions to your customer.

PARTS LIST



No.	Description	Qty
(1)	Installation instructions URL	1
(2)	Right air deflector B	1
(3)	Left air deflector B	1
(4)	5 mm screw	6
(5)	Well nut	6
(6)	Washer (White)	6
(7)	Washer (Black)	6
(8)	Rubber	6

TOOLS AND SUPPLIES REQUIRED

Hex wrench (5 mm)
 Electric drill
 Drill bit (3 and 9.5 mm)
 Torque wrench

TORQUE CHART

Tighten all screws, bolts, and nuts to their specified torque values. Refer to the Service Manual for the torque values of the removed parts.

Item	N·m	kgf·m	lbf·ft
5 mm screw	0.4	0.04	0.3

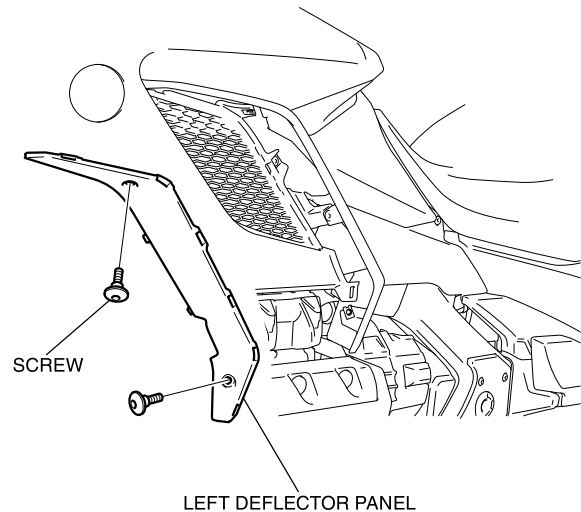
INSTALLATION

▲ CAUTION

- To prevent burns, allow the engine, exhaust system, radiator, etc., to cool before installing the accessory.

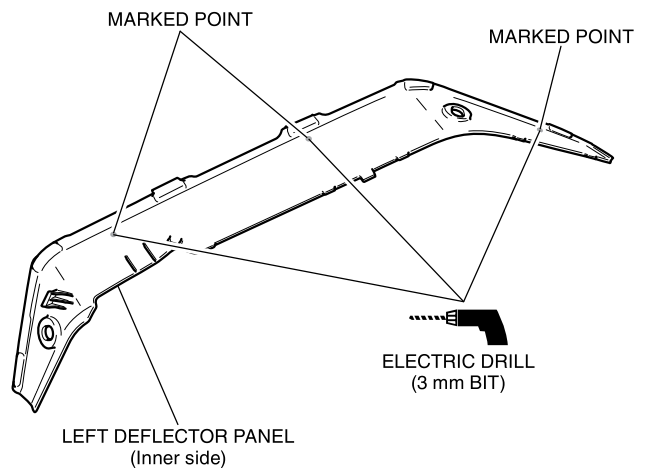
- Remove the left deflector panel as shown.

<Left side>



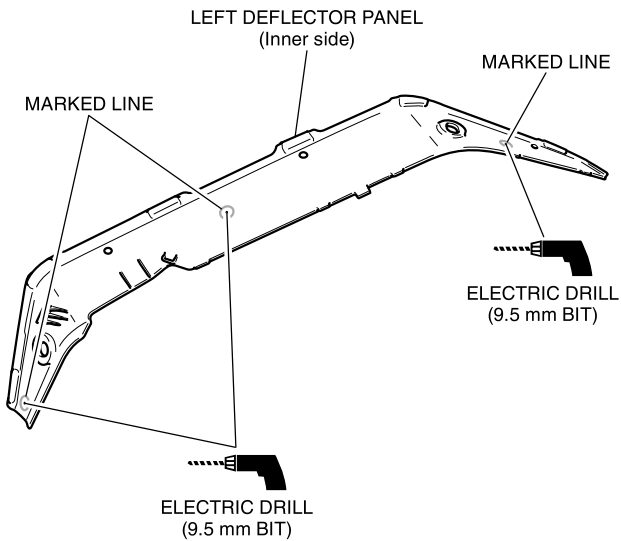
- Drill at the marked points of left deflector panel as shown.

- Remove the any burrs from the edge of the hole.

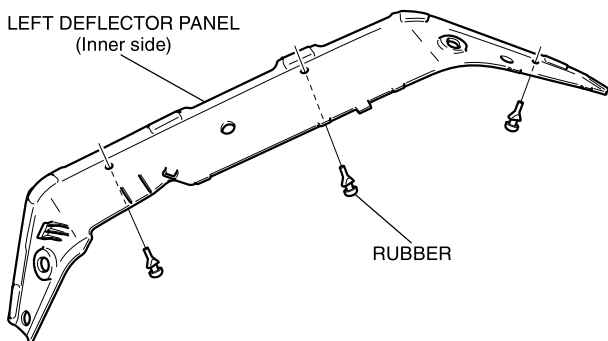


3. Drill at the marked lines of the left deflector panel as shown.

- Drill holes at the center of the marked lines.
- Remove the any burrs from the edge of the hole.

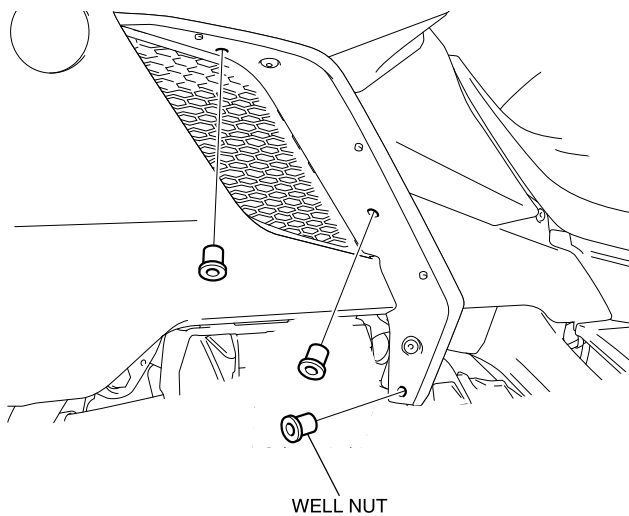


4. Install the rubbers as shown.

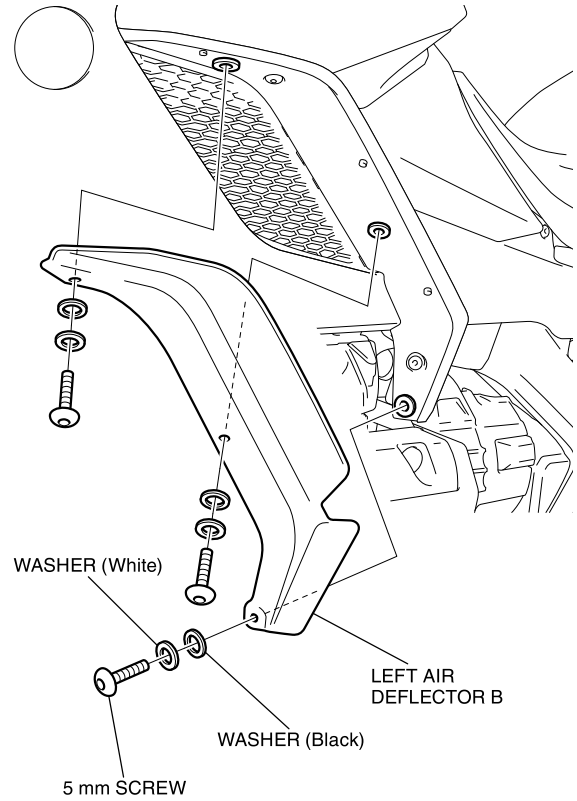


5. Install the left deflector panel in the reverse order of removal.

6. Install the well nuts as shown.



7. Install the left air deflector B as shown.



8. Install the right air deflector B in the same manner as the left side.