



INSTALLATION INSTRUCTIONS

Accessory

AIR DEFLECTOR A
P/N 08R72-MKC-A01

Application

GL1800/B/BD/D/DA

Publication No.

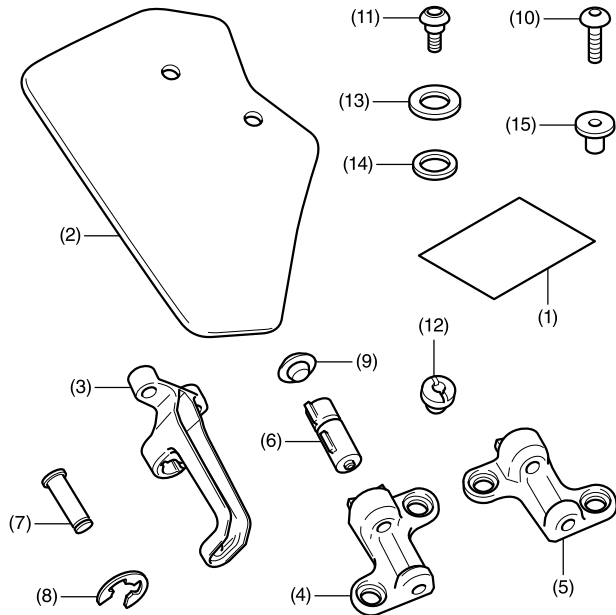
MII

Issue Date

October 2017

Honda Dealer: Please give a copy of these instructions to your customer.

PARTS LIST



No.	Description	Qty
(1)	Installation instructions URL	1
(2)	Air deflector A	2
(3)	Air deflector bracket A	2
(4)	Right air deflector bracket B	1
(5)	Left air deflector bracket B	1
(6)	Damper	2
(7)	Pin	2
(8)	E-ring	2
(9)	Plug	2
(10)	5 mm screw (long)	4
(11)	5 mm screw (short)	4
(12)	Special nut	4
(13)	Washer	4
(14)	Rubber	4
(15)	Collar	4

TOOLS AND SUPPLIES REQUIRED

Hex wrench (5 mm)
 Flat-tip screwdriver
 Long nose pliers
 Electric drill
 Drill bit (5 mm)
 File
 Masking tape
 Torque wrench

TORQUE CHART

Tighten all screws, bolts, and nuts to their specified torque values. Refer to the Service Manual for the torque values of the removed parts.

Item	N·m	kgf·m	lbf·ft
5 mm screw	5.2	0.5	3.8
Special nut	5.2	0.5	3.8

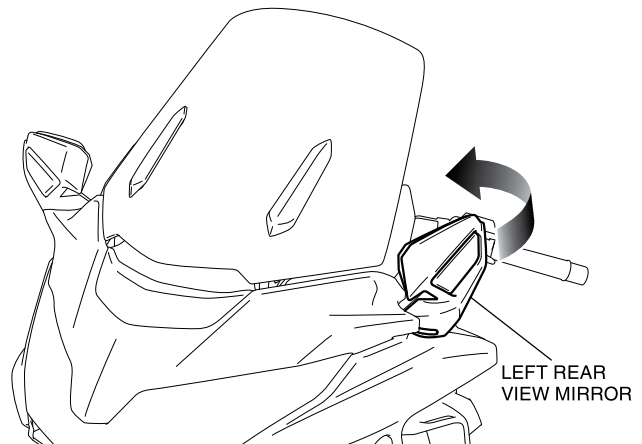
INSTALLATION

▲ CAUTION

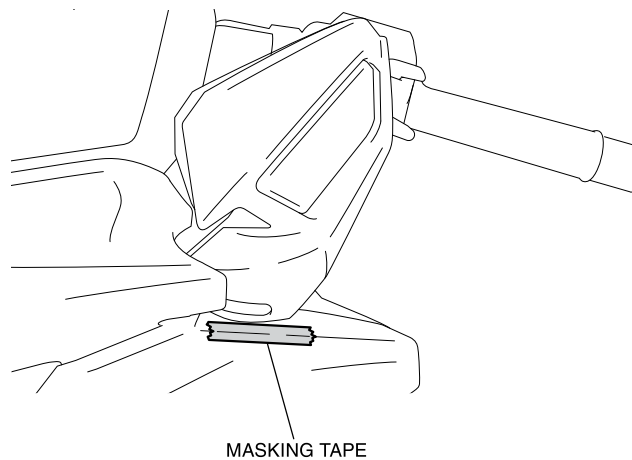
- To prevent burns, allow the engine, exhaust system, radiator, etc., to cool before installing the accessory.

1. Fold down the left rear view mirror backward as shown.

<Left side>

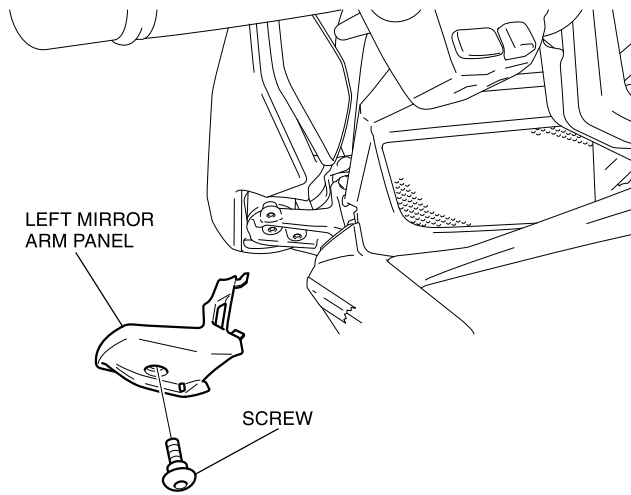


2. Attach the masking tape as shown.



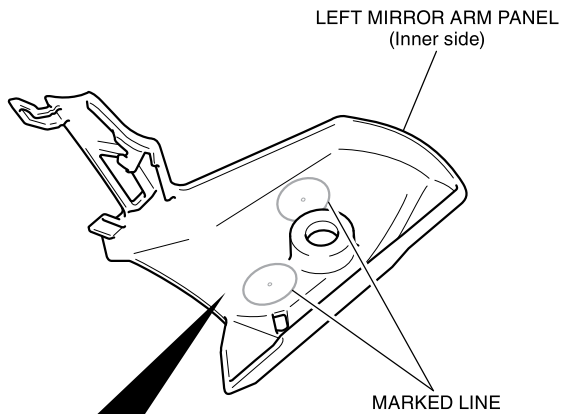
3. Remove the left mirror arm panel as shown.

<Left side>

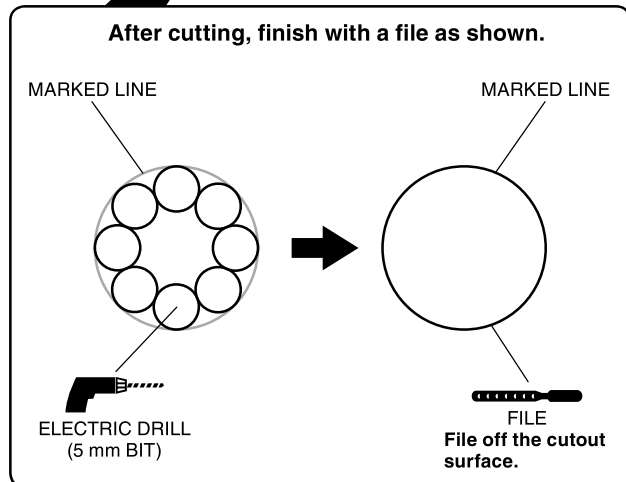


4. Drill at the marked lines of the left mirror arm panel as shown.

- Remove the any burrs from the edge of the hole.

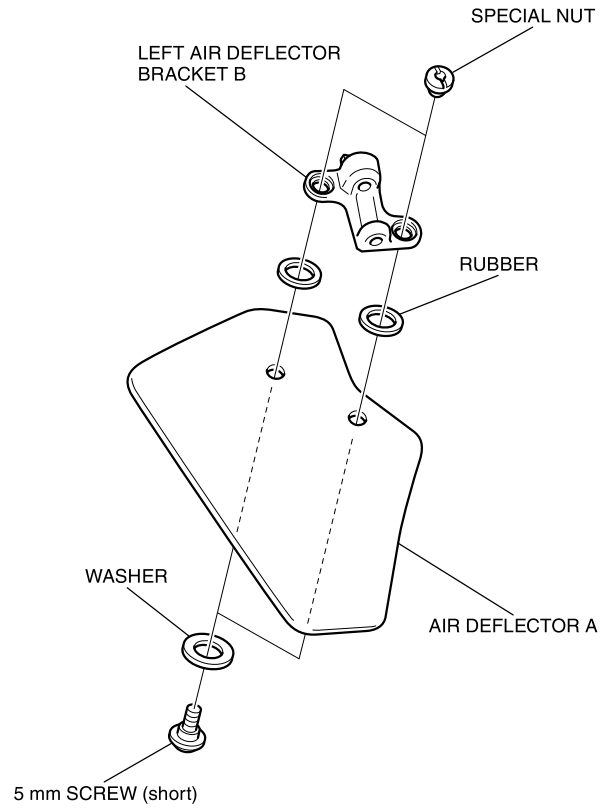


After cutting, finish with a file as shown.

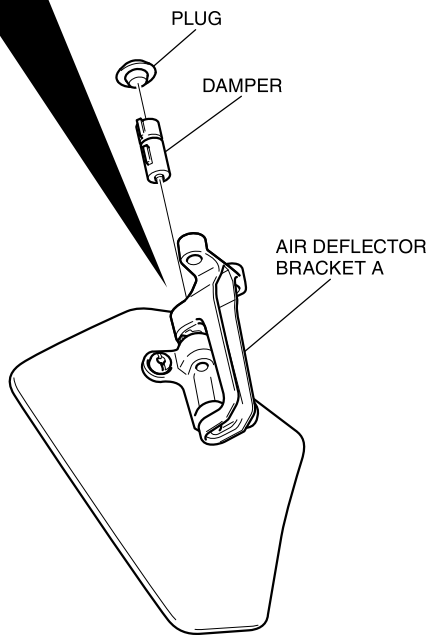
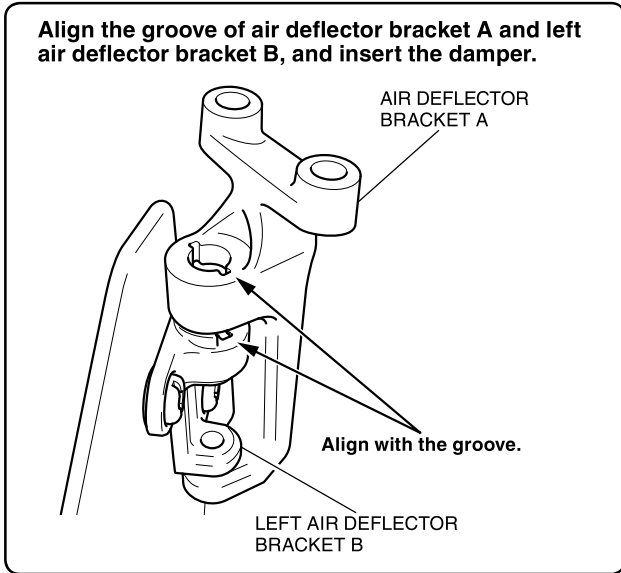


5. Install the left mirror arm panel in the reverse order of removal.

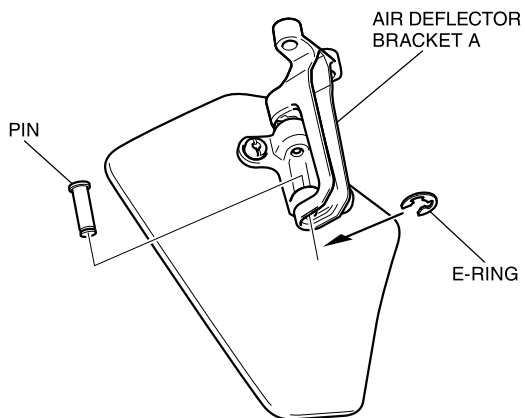
6. Install the air deflector A as shown.



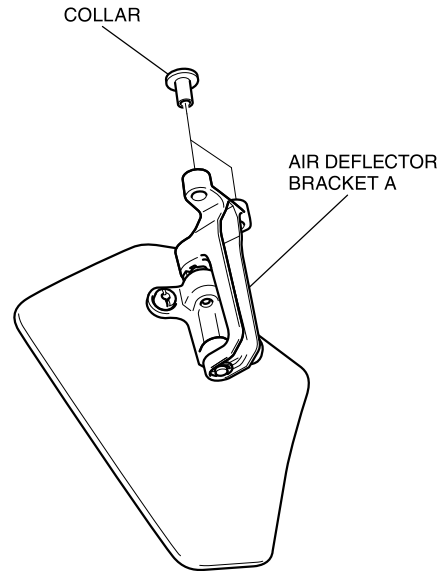
7. Install the air deflector bracket A as shown.



8. Install the pin as shown.

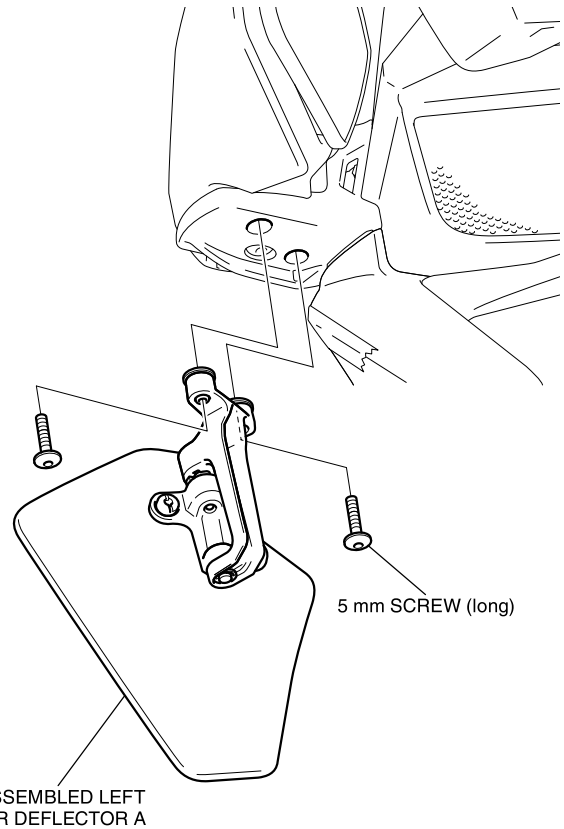


9. Install the collars as shown.



10. Install the assembled left air deflector A as shown.

<Left side>



11. Remove the masking tape.

12. Return the left rear view mirror to its original position.

13. Install the right side in the same manner as the left side.