



INSTALLATION INSTRUCTIONS

Accessory

TALL PASSENGER GRIP
P/N 08R70-MKC-AF0

Application

GL1800/B/BD/D/DA

Publication No.

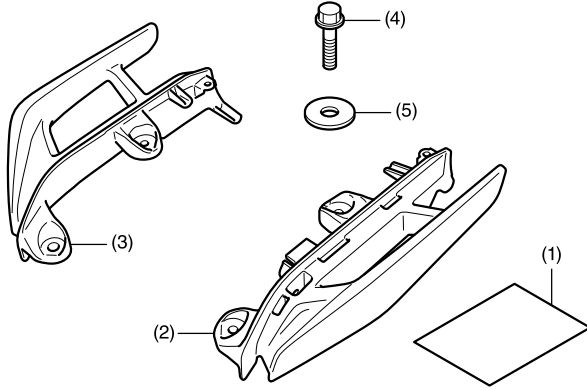
MII

Issue Date

August 2019

Honda Dealer: Please give a copy of these instructions to your customer.

PARTS LIST



No.	Description	Qty
(1)	Installation Instructions URL	1
(2)	Left passenger grip	1
(3)	Right passenger grip	1
(4)	8 mm SH flange bolt	4
(5)	Washer	4

TOOLS REQUIRED

Socket (10 mm)
Ratchet
Torque wrench

TORQUE CHART

Tighten all screws, bolts, and nuts to their specified torque values. Refer to the Service Manual for the torque values of the removed parts.

Item	N·m	kgf·m	lbf·ft
8 mm SH flange bolt	27	2.8	20

INSTALLATION

▲ CAUTION

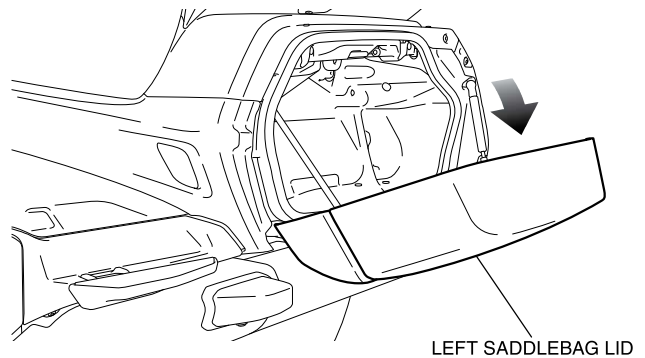
- To prevent burns, allow the engine, exhaust system, radiator, etc., to cool before installing the accessory.

NOTE:

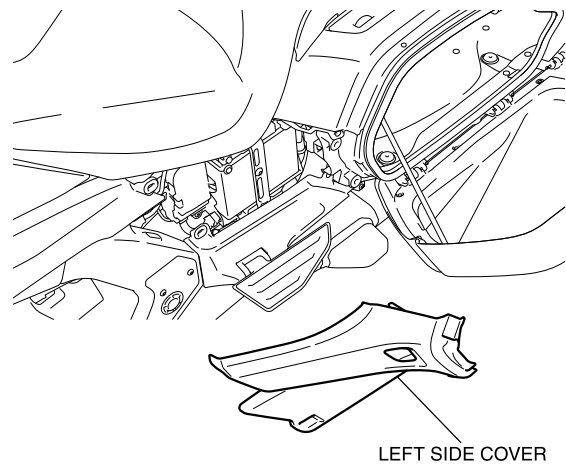
- Disconnect the negative (-) cable from the battery before installing this accessory.
- The memories of the clock will be erased when you disconnect the battery. Reset the memories after reconnecting the battery.
- Reinstall the removed parts on the motorcycle and make sure that the wires and harnesses are not pinched.

- Open the left saddlebag lid as shown.
 - Repeat on the right side.

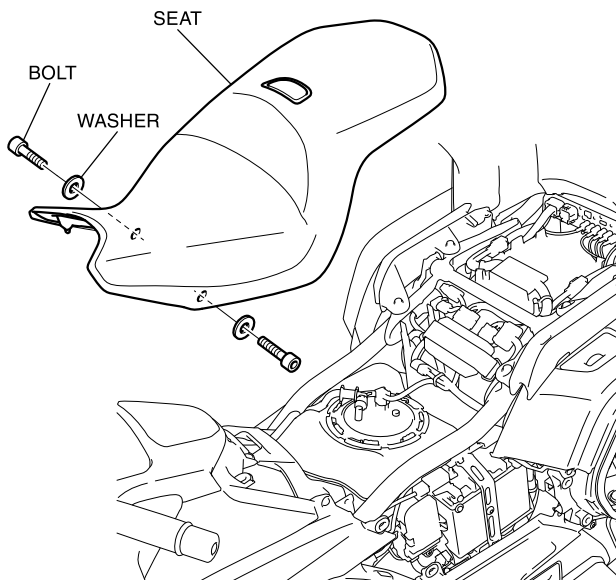
<Left side>



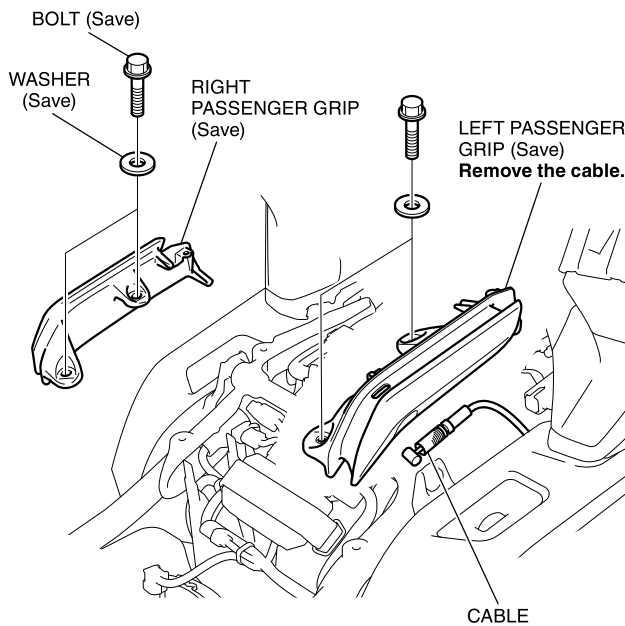
- Remove the left side cover as shown, and disconnect the negative (-) cable of the battery.



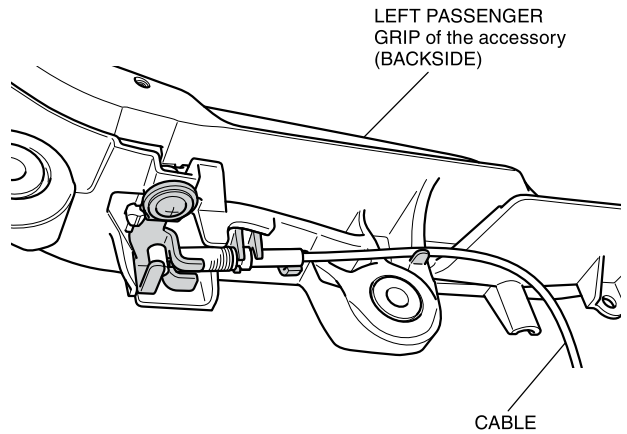
3. Remove the right side cover in the same manner as the left side.
4. Remove the seat as shown.
 - **Disconnect the connector for GL1800/D/DA.**



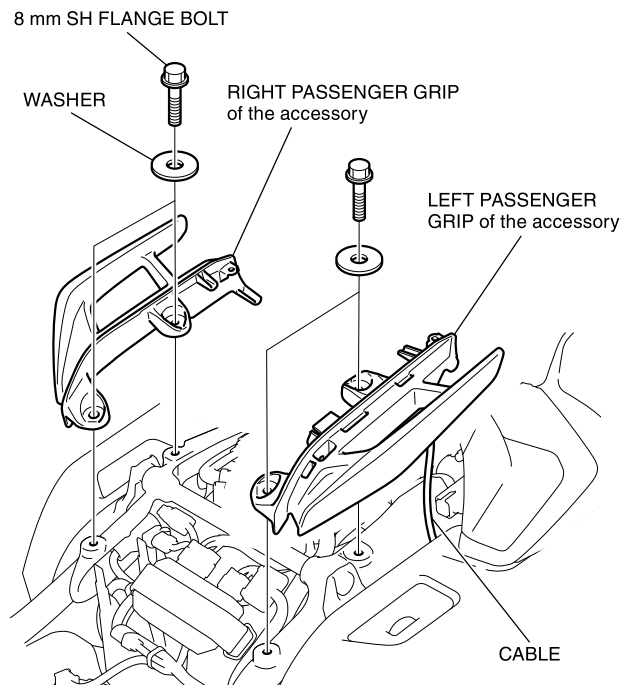
5. Remove the right and left passenger grip as shown.



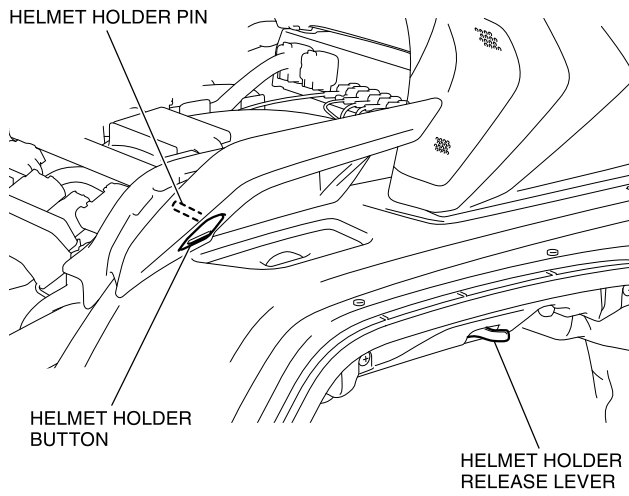
6. Install the cable to the left passenger grip of the accessory in the reverse order of removal.
 - **Install the cable securely in the [] part.**



7. Install the right and left passenger grip of the accessory in the reverse order of removal.



8. Check the helmet holder for function.
 - **Pull the helmet holder release lever backward to unlock the helmet holder pin.**
 - **Press the helmet holder button to lock the helmet holder pin.**



9. Install the motorcycle's parts in the reverse order of removal.
 - **Confirm that any wire harness is not caught or too tight.**