



# INSTALLATION INSTRUCTIONS

Accessory

CHROME SIDE STAND  
P/N 08M70-MKC-A00

Application

GL1800/B/BD/D/DA

Publication No.

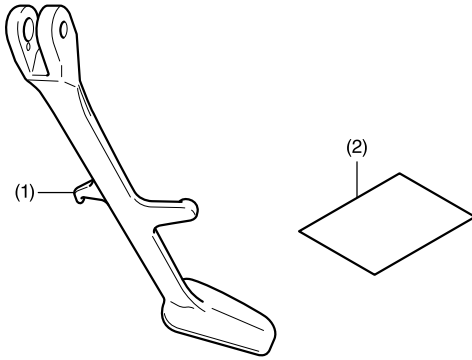
MII

Issue Date

July 2017

Honda Dealer: Please give a copy of these instructions to your customer.

## PARTS LIST



No.	Description	Qty
(1)	Chrome side stand bar	1
(2)	Installation instructions URL	1

## SUPPLY REQUIRED

Grease

## TORQUE CHART

Refer to the Service Manual for the torque values of the removed parts.

## INSTALLATION

### ▲ CAUTION

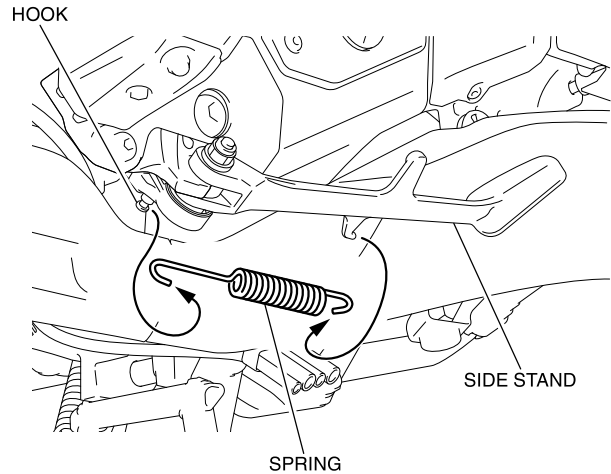
- To prevent burns, allow the engine, exhaust system, radiator, etc., to cool before installing the accessory.

### NOTE:

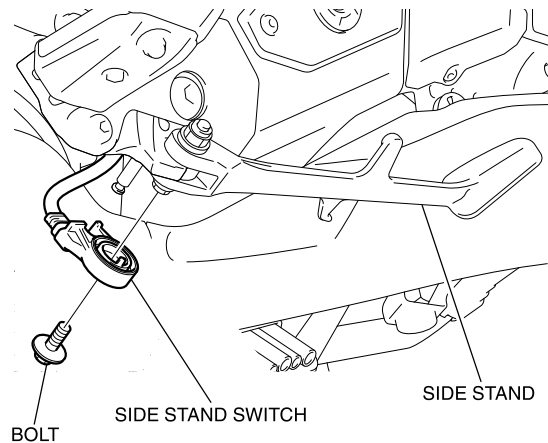
- Be extremely careful when installing the spring as the combined tension of the spring is very strong.
- Support your motorcycle securely when installing the side stand.
- The spring installation shall be performed by two persons. While one person holds the motorcycle, another person installs the spring.

- Remove the spring from the side stand as shown.

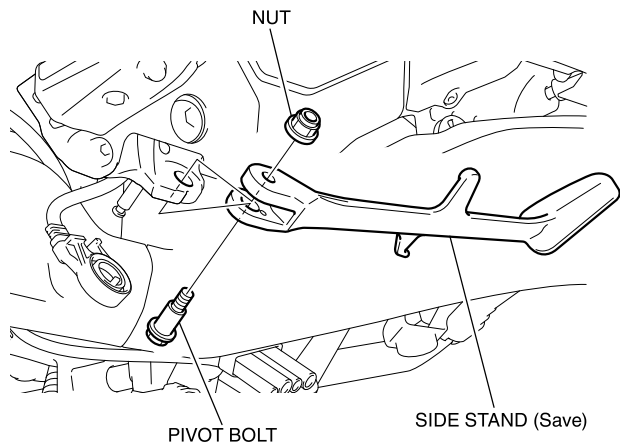
<Left side>



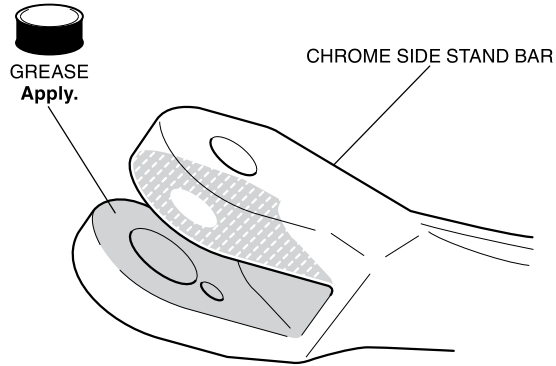
- Remove the side stand switch as shown.



- Remove the pivot bolt and side stand as shown.



4. Apply grease to the positions shown.



5. Install the chrome side stand bar, side stand switch and spring in the reverse order of removal.
- **Refer to the Service Manual, tighten the pivot bolt and nut.**
  - **The spring installation shall be performed by two persons. While one person holds the motorcycle, another person installs the spring.**
6. Check the side stand switch and each light for proper operation.
- **Check that the engine does not start with setting the side stand.**
  - **Check that the engine starts with side stand retracted.**