

CB RADIO AND ATTACHMENT

Accessory Name	Parts Number	Application Model	Issue Date	Publication No.
CB RADIO AND ATTACHMENT	08E70-MLJ-M00	GL1800/D	February 2025	MII 55305

Introduction

ALL INFORMATION, ILLUSTRATIONS, DIRECTIONS AND SPECIFICATIONS INCLUDED IN THIS PUBLICATION ARE BASED ON THE LATEST PRODUCT INFORMATION AVAILABLE AT THE TIME OF APPROVAL FOR PRINTING. Honda Motor Co., Ltd. RESERVES THE RIGHT TO MAKE CHANGES AT ANY TIME WITHOUT NOTICE AND WITHOUT INCURRING ANY OBLIGATION WHATSOEVER. NO PART OF THIS PUBLICATION MAY BE REPRODUCED WITHOUT WRITTEN PERMISSION. THIS MANUAL IS WRITTEN FOR PERSONS WHO HAVE ACQUIRED BASIC KNOWLEDGE OF MAINTENANCE ON Honda MOTORCYCLES, MOTOR SCOOTERS, ATVS OR SXSS.

Honda Dealer:


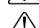
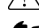



Please give a copy of these instructions to your customer.

Customer:

Because the installation of this accessory requires specialized knowledge, special tools and equipment, it is recommended to only install it at a dealer with qualified technicians.

How To Read These Symbols

Your safety, and the safety of others, is very important. To help you make informed decisions we have provided safety messages and other information throughout this manual.

-  **WARNING** You CAN be KILLED or SERIOUSLY HURT if you don't follow instructions.
-  **CAUTION** You CAN be HURT if you don't follow instructions.
-  **NOTICE** The purpose of this message is to help prevent damage to your vehicle, other property, or the environment.
-  **NOTE** Things you want to know, things that are useful to know.
-  Follow the instructions of the Service Manual.
-  Follow the other symbol instructions of the "Installation Instructions BASIC".

Other Instruction Symbols

The symbols used throughout these instructions show specific "Warnings and Notices". Refer to the "Basic Shop Manual" for the description of each symbol.

INFORMATION

CAUTION

- To prevent burns, allow the engine, exhaust system, radiator, etc., to cool before installing the accessory.


NOTICE

- Take care not to damage the painted surfaces of the motorcycle.

NOTE:

- Reinstall the removed parts on the motorcycle and make sure that the wires and harnesses are not pinched.
- Disconnect the negative (-) cable from the battery before installing this accessory.
- Trim the excess ends off the wire ties after attaching them to the wire harnesses. Do not allow the cut part of the wire tie to interfere with another harness or brake hose.
- After reconnecting the battery, refer to the motorcycle Owner's Manual and set the meter.
- After this accessory installation, check the lights (e.g. right/left turn signal lights and brake lights) for proper operation.
- Setting is necessary after installing this accessory
- Save all removed parts unless otherwise indicated.

TORQUE INFORMATION

Refer to the Service Manual for the torque values including standard torque of the removed parts. ()

PARTS LIST

When the instruction manual and installation instructions are included in this kit, be sure to give them to the customer.

<CB RADIO AND ATTACHMENT>

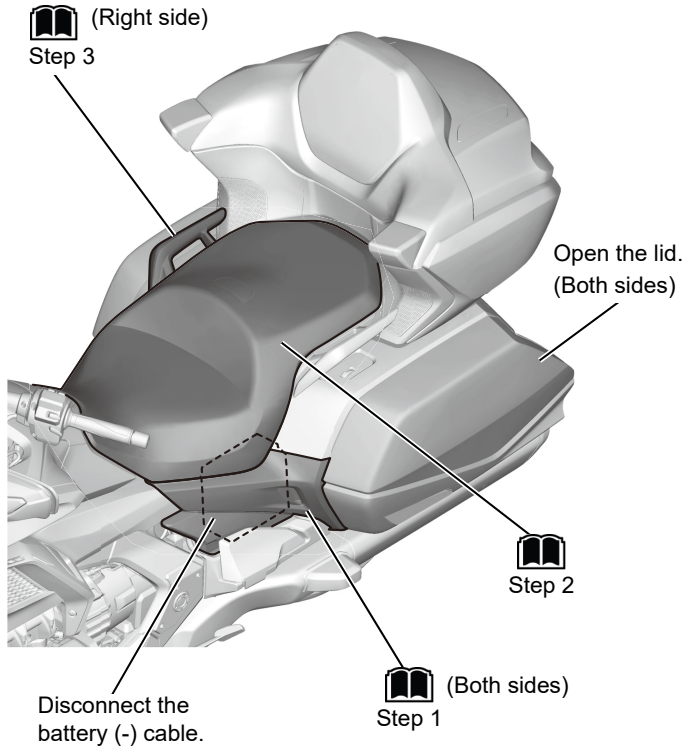
Component	No.	Parts Name	Qty	Parts No.
	(1)	CB main unit	1	-
	(2)	FCC rule book	1	-
	(3)	Sub harness	1	-
	(4)	Unit cover	1	-
	(5)	5 x 12 mm tapping screw	7	90121-MJK-N20
	(6)	81 x 4.5 O-ring	1	91315-MA6-003
	(7)	Wire tie (W x L: 7 x 165 mm) [Not used.]	2	90651-KV6-003
	(8)	7.5 mm clip	2	-
	(9)	4 x 100 mm clip	1	94591-41000
	(10)	4 x 8 mm tapping screw	1	93903-24180

<CB ANTENNA AND ATTACHMENT>

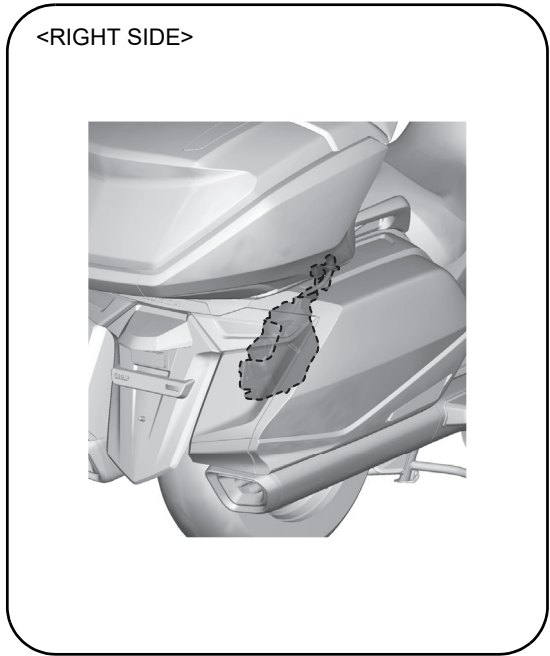
Component	No.	Parts Name	Qty	Parts No.
<p>For the installation, refer to the Installation Instructions of accessory.</p>	(11)	CB antenna assembly	1	-
	(12)	Antenna stay	1	-
	(13)	Wire tie (W x L: 7 x 125 mm)	2	90652-KT1-771
	(14)	6 x 42 mm socket bolt	2	-
	(15)	6 x 22 mm socket bolt	1	90085-KFB-000
	(16)	Cushion tape	1	-
	(17)	Flange collar	2	18423-MGS-D30
	(18)	Rubber cushion	2	-

INSTALLATION

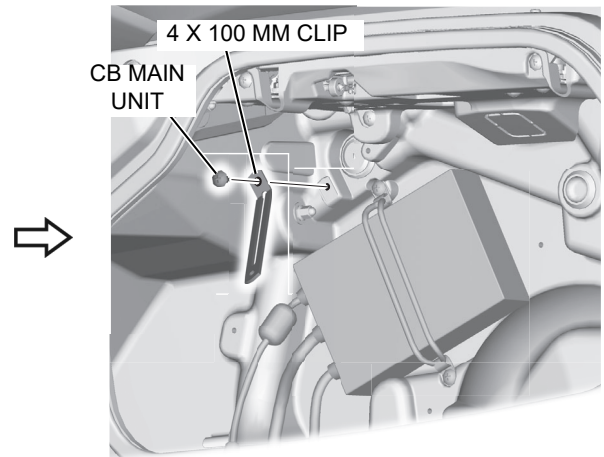
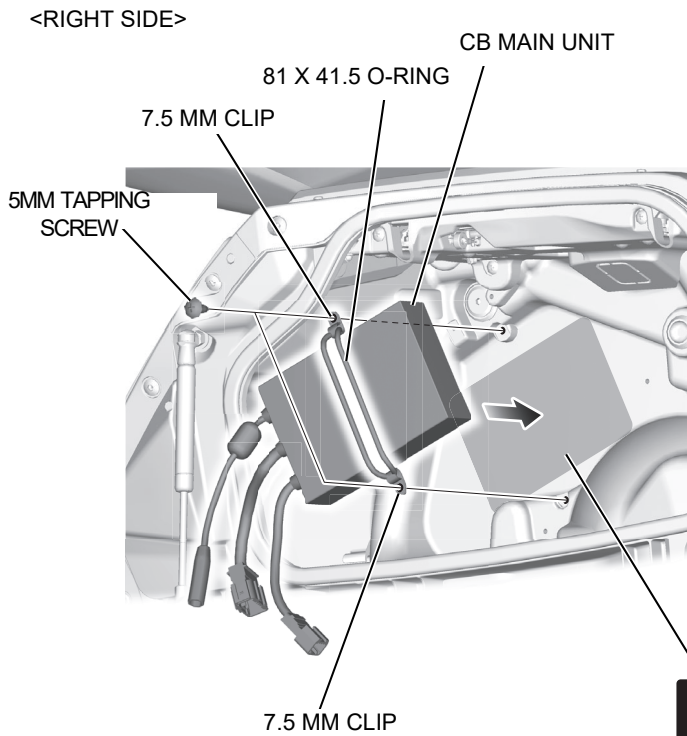
1. Refer to the Service Manual for motorcycle, remove the motorcycle parts as shown. (📖)



INSTALLATION IMAGE



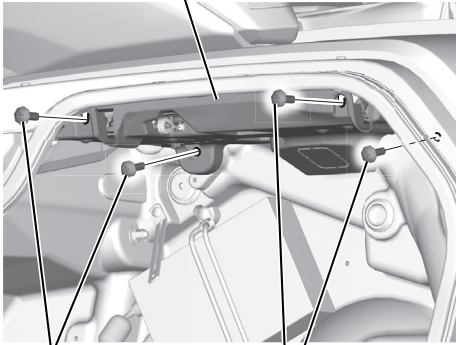
2. Install as shown.



3. Remove the motorcycle parts as shown.

<RIGHT SIDE>

RIGHT SADDLEBAG CATCH ASSEMBLY



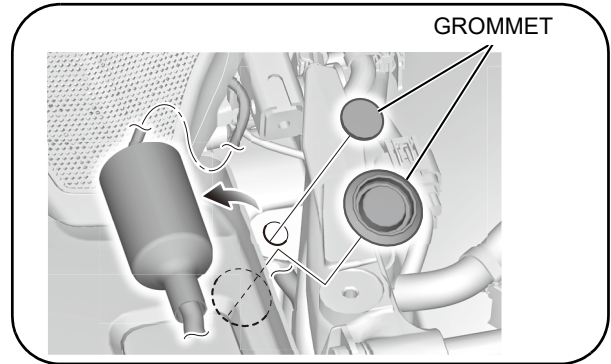
SCREW

SCREW



MOTORCYCLE'S CONNECTOR

Disconnect and release.

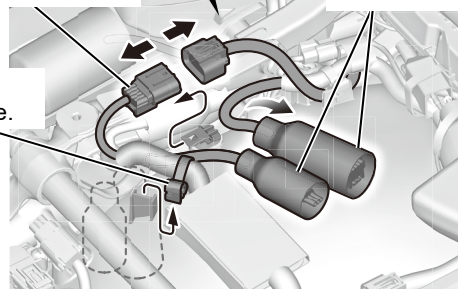


GROMMET

MOTORCYCLE'S HARNESS BOOT

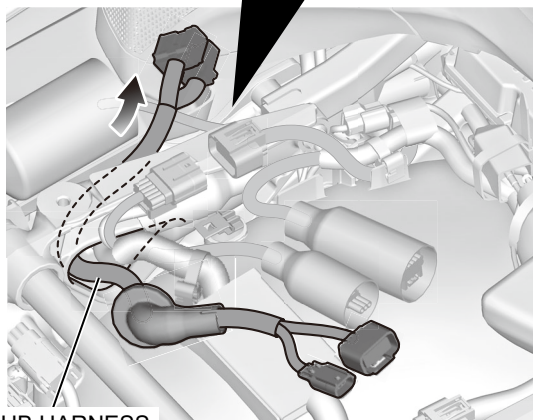
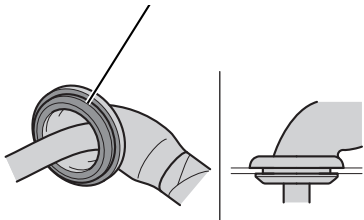
Pull out.

CLIP Release.



4. Route and connect as shown.
- Apply synthetic detergent solution to the sub harness as shown and then insert it into the hole securely.
 - Temporarily move the right saddlebag catch assembly down and route the sub harness.

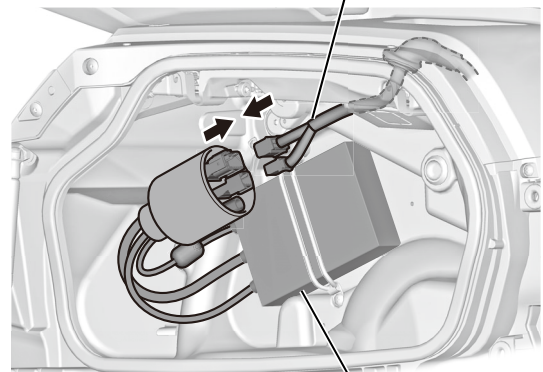
SYNTHETIC DETERGENT SOLUTION



SUB HARNESS

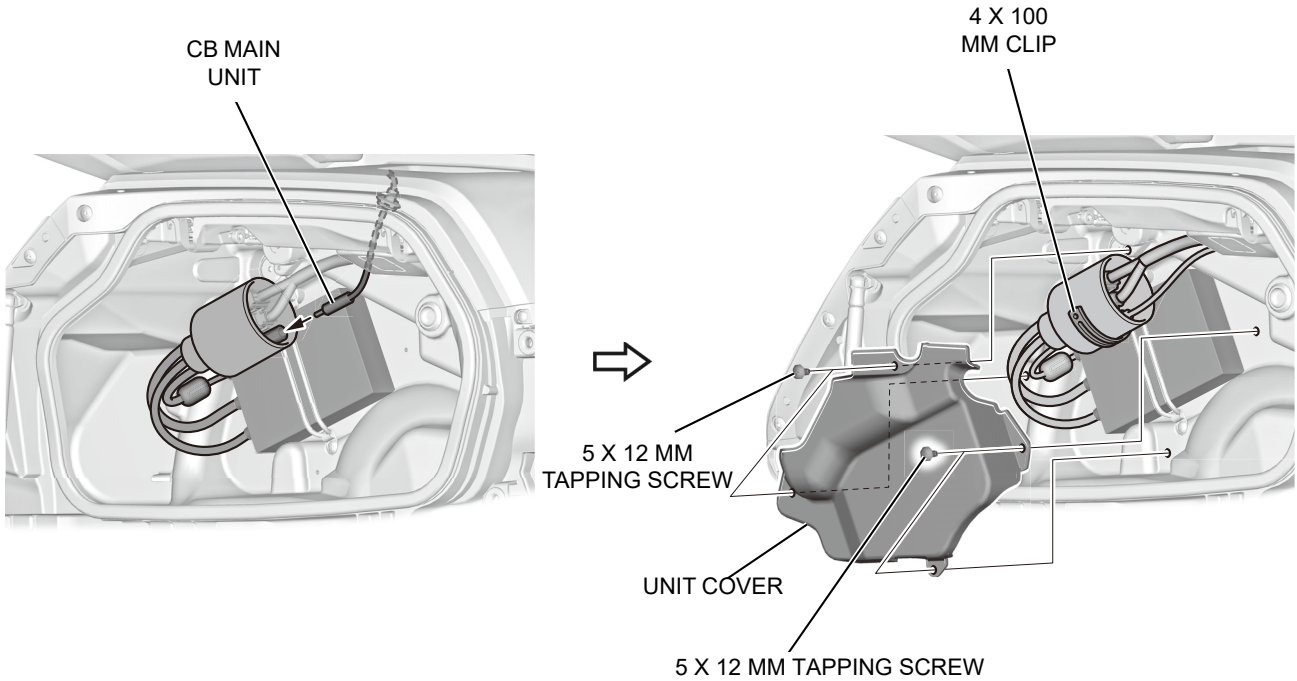


SUB HARNESS

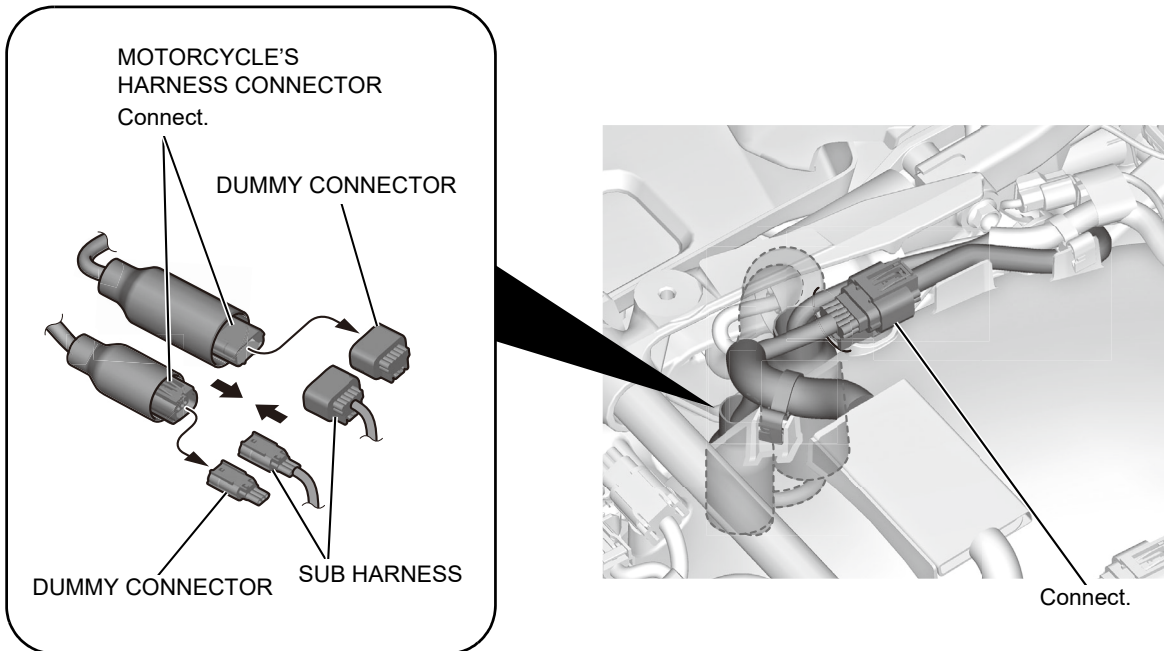


CB MAIN UNIT

5. Install the sold separately CB radio antenna and attachment, and then install as shown.
- For the installation, refer to the Installation Instructions of the CB radio antenna and attachment.



6. Connect the sub harness and secure the harness as shown.



Installation Instructions

7.	Install the motorcycle parts in the reverse order of removal. <ul style="list-style-type: none">• Confirm that any harness is not caught or too tight.
----	--

8.	Check the CB radio for proper operation.
----	--