

COMFORTABLE PILLION STEP

| Accessory Name | Parts Number | Application Model | Issue Date | Publication No. | FRT |
|--------------------------|---------------|-------------------|------------|-----------------|-------|
| COMFORTABLE PILLION STEP | 08R71-MJP-G50 | NT1100A/D | 2025.01 | MII | 0.3 H |

Introduction

ALL INFORMATION, ILLUSTRATIONS, DIRECTIONS AND SPECIFICATIONS INCLUDED IN THIS PUBLICATION ARE BASED ON THE LATEST PRODUCT INFORMATION AVAILABLE AT THE TIME OF APPROVAL FOR PRINTING. Honda Motor Co., Ltd. RESERVES THE RIGHT TO MAKE CHANGES AT ANY TIME WITHOUT NOTICE AND WITHOUT INCURRING ANY OBLIGATION WHATSOEVER. NO PART OF THIS PUBLICATION MAY BE REPRODUCED WITHOUT WRITTEN PERMISSION. THIS MANUAL IS WRITTEN FOR PERSONS WHO HAVE ACQUIRED BASIC KNOWLEDGE OF MAINTENANCE ON Honda MOTORCYCLES, MOTOR SCOOTERS OR ATVS.

Honda Dealer:







Please give a copy of these instructions to your customer.

Customer:

Because it requires specialized knowledge and special tools and equipment, it is recommended to install it at a dealer with qualified automobile maintenance.

How To Read These Symbols

Your safety, and the safety of others, is very important. To help you make informed decisions we have provided safety messages and other information throughout this manual.

-  **WARNING** You CAN be KILLED or SERIOUSLY HURT if you don't follow instructions.
-  **CAUTION** You CAN be HURT if you don't follow instructions.
-  **NOTICE** The purpose of this message is to help prevent damage to your vehicle, other property, or the environment.
-  **NOTE** Things you want to know, things that are useful to know.
-  Follow the instructions of the Service Manual.
-  Follow the other symbol instructions of the "Installation Instructions BASIC".

Instruction Other Symbols

The symbols used throughout this instructions show specific service procedures. Refer to "Installation Instructions BASIC" for description of each symbol.

INFORMATION

CAUTION

- To prevent burns, allow the engine, exhaust system, radiator, etc., to cool before installing the accessory.


NOTICE

- *Take care not to damage the painted surfaces of the motorcycle.*

NOTE:

- Save all removed parts unless otherwise indicated.

TORQUE INFORMATION

Refer to the Service Manual for the torque values including standard torque of the removed parts. ()

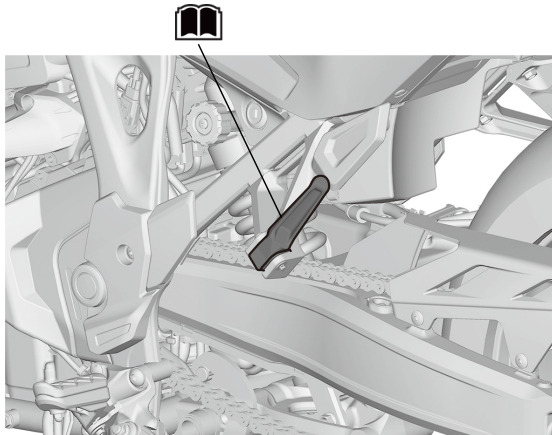
PARTS LIST

When the instruction manual and installation instructions are included in this kit, be sure to give them to the customer.

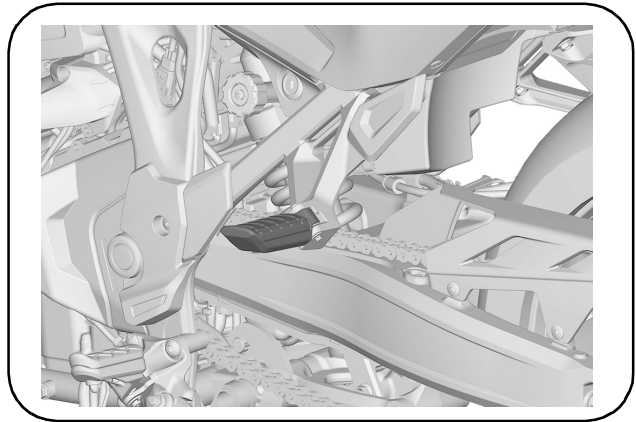
| Component | No. | Parts Name | Qty | Parts No. |
|-----------|-----|--|-----|---------------|
| | (1) | Step set plate | 2 | 50619-MT3-000 |
| | (2) | Step rubber | 2 | 50661-MT3-000 |
| | (3) | Right pillion bar | 1 | 50711-MT3-010 |
| | (4) | Left pillion bar | 1 | 50712-MT3-010 |
| | (5) | Step click plate (Not used.) | 2 | - |
| | (6) | 5 mm bolt | 4 | 90115-MT3-000 |
| | (7) | Split pin | 2 | 94201-16120 |

INSTALLATION

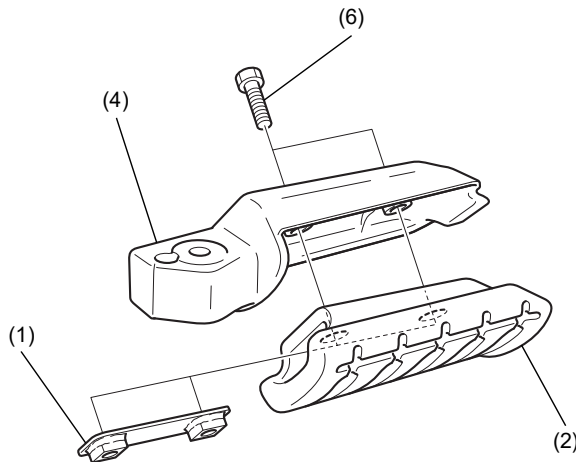
- Refer to the Service Manual for the motorcycle, remove the motorcycle parts as shown.
 - Repeat on the right side.



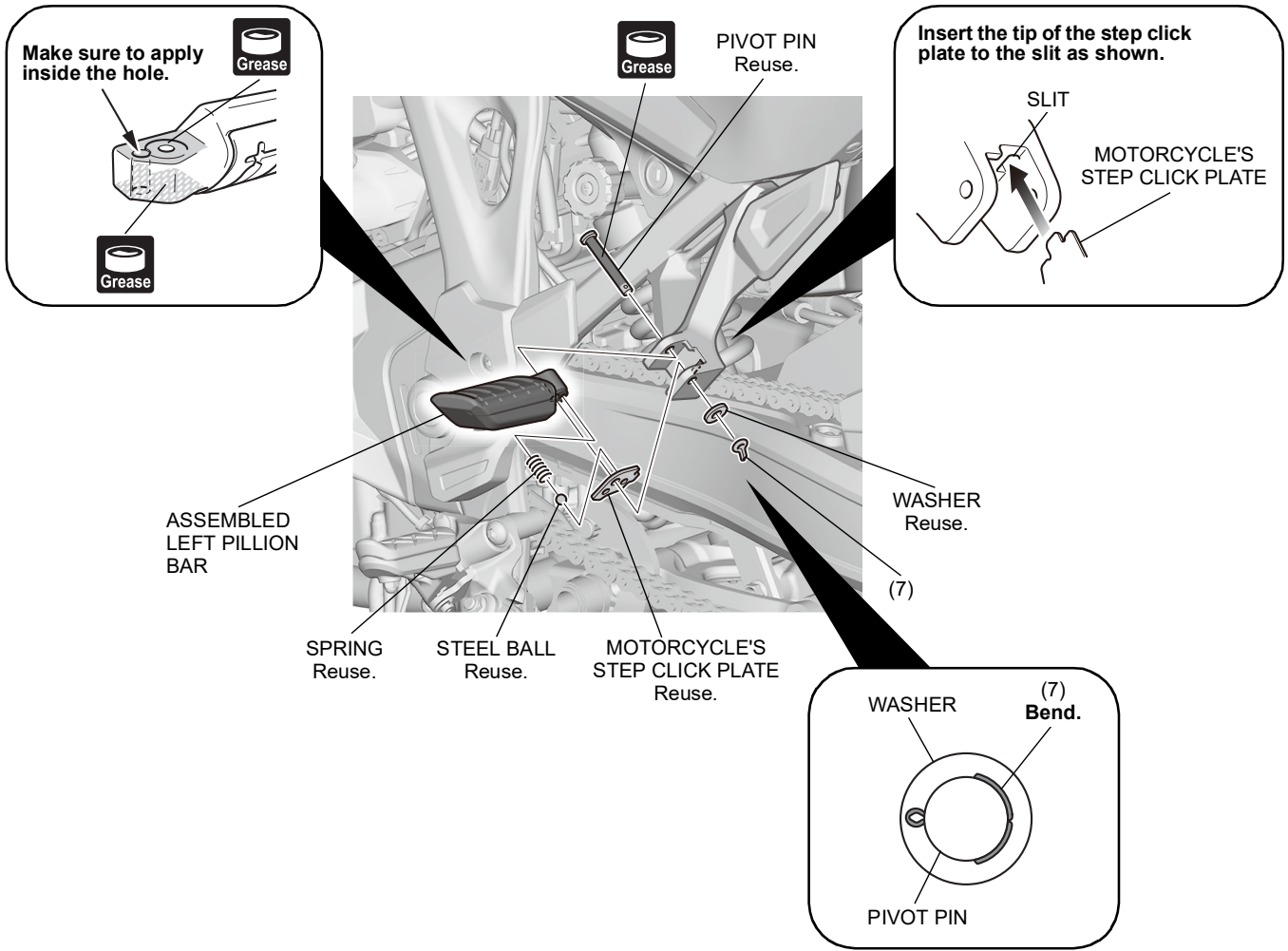
INSTALLATION IMAGE



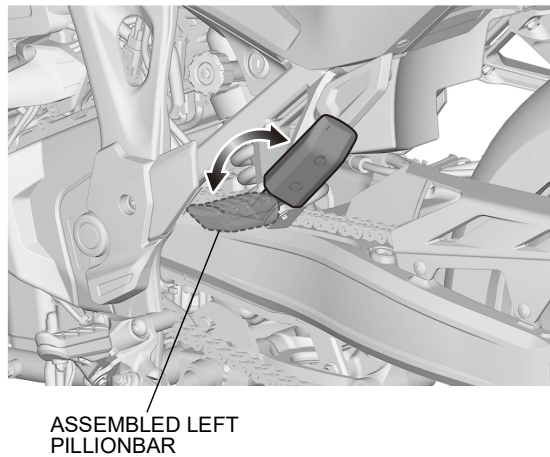
- Install as shown.



3. Install as shown.



4. Check that the left pillion bar is fixed at each position by moving it as shown.



5. Install the right side accessory in the same manner as the left side.