



INSTALLATION INSTRUCTIONS

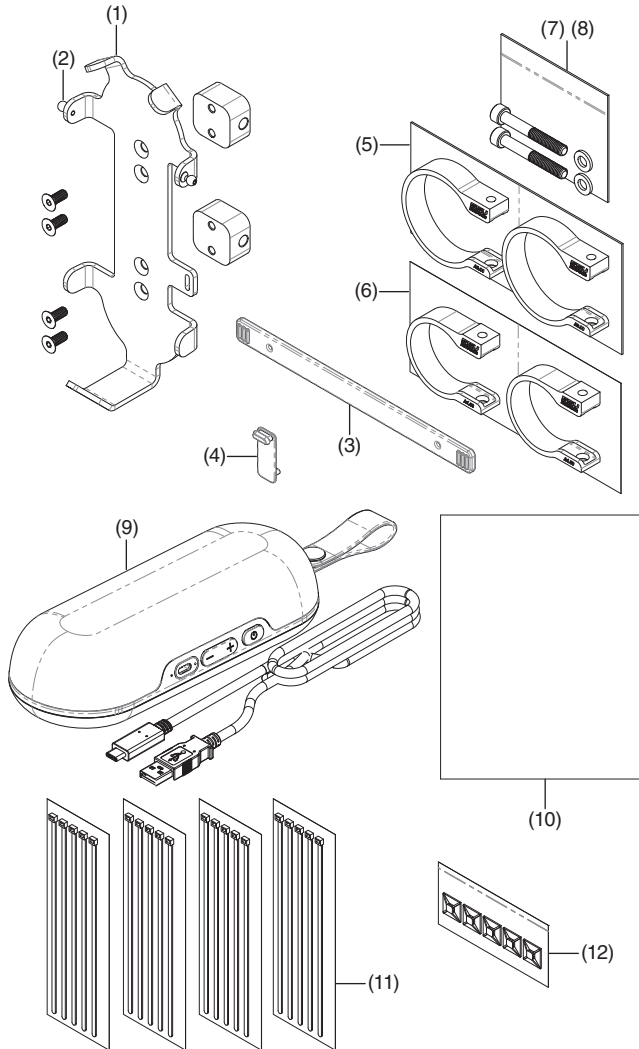
Accessory
ROPS MOUNTED PORTABLE BLUETOOTH SPEAKER
 P/N 0SV24-HL3-A00

Application
SXS520/700
SXS1000S2X/S2XD/
S2R/S2RD/S4X/S4XD

Publication No.
MII 55301
 Issue Date
August 2025

Honda Dealer: Please give a copy of these instructions to your customer.

PARTS LIST



No.	Description	Qty	Service Kit	Svc Kit Qty
(1)	Bluetooth holder	1		
(2)	Ball stud (pre-assembled)	2		2
(3)	Retention strap	1	0SC24-HR3-A00K1	1
(4)	USB cover	1		1
(5)	Clamp pack 2.0 diameter	1		
(6)	Clamp pack 1.63 diameter	1		
(7)	6 mm socket bolt	2		
(8)	6 mm washer	2		
(9)	Bluetooth speaker	1		
(10)	Installation Instructions URL	1		
(11)	Cable ties (pack of 5)	4		
(12)	Adhesive backed tie mounts	1		

TOOLS REQUIRED

Torque wrench or driver
 M6 hex wrench
 Tape

USE AND CARE

Remove portable speaker from vehicle before washing.

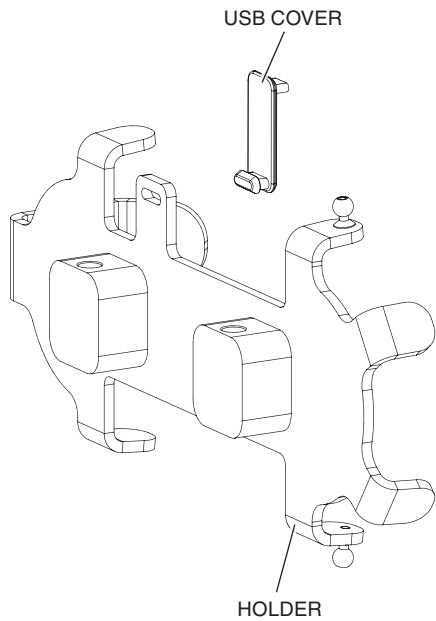
TORQUE CHART

Item	N-m	kgf-m	lbf-ft
6 mm socket bolts	7.8	0.8	5.8

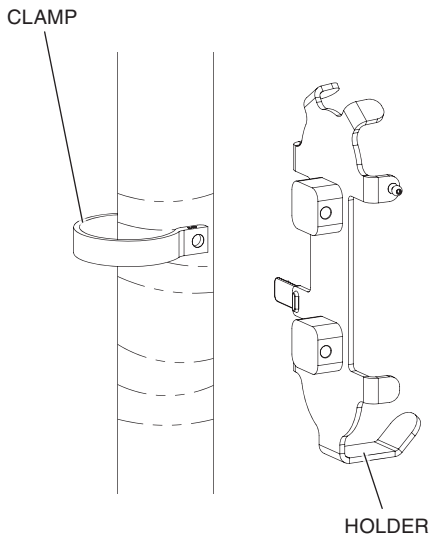


BLUETOOTH SPEAKER INSTALLATION

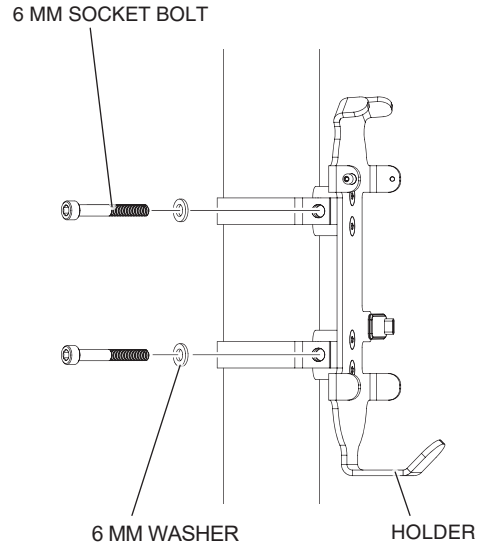
1. Install USB cover on holder.



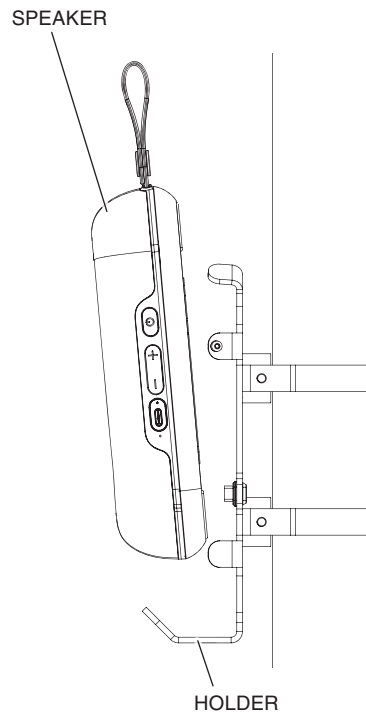
2. Select the clamp diameter for your application. Loosely place both ring mounting clamps on the ROPS by wrapping it with a plastic bag or using masking tape to prevent scratching.



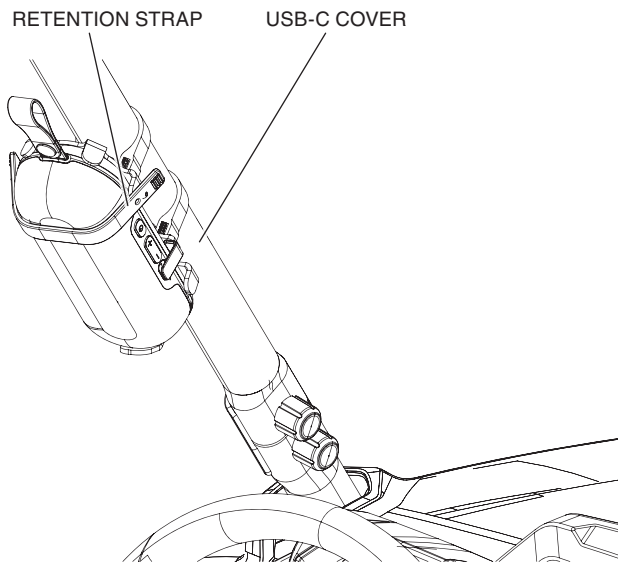
3. Install two 6 mm socket bolts and washers and torque per chart.



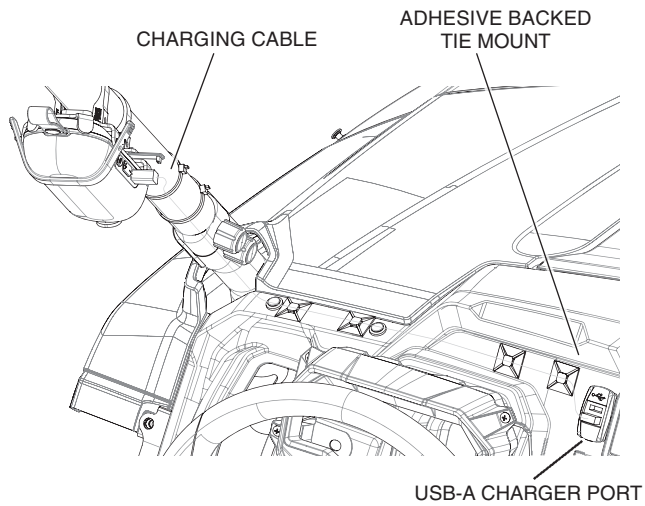
4. Place the bluetooth speaker onto the holder as shown. The speaker should fit securely against the fingers of the holder.



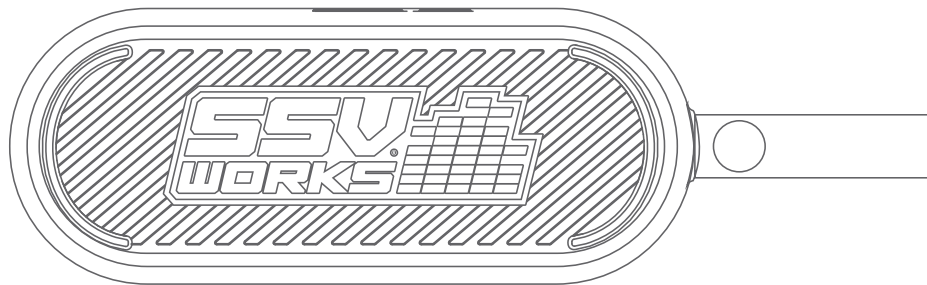
5. Take the retention strap and secure it over the speaker. Locate & secure the silicone USB-C cover over the charging port.



6. To charge the speaker, run the charging cable from the USB-A charger port to the A-Pillar. Use cable ties and adhesive backed tie mounts to secure cable in place.



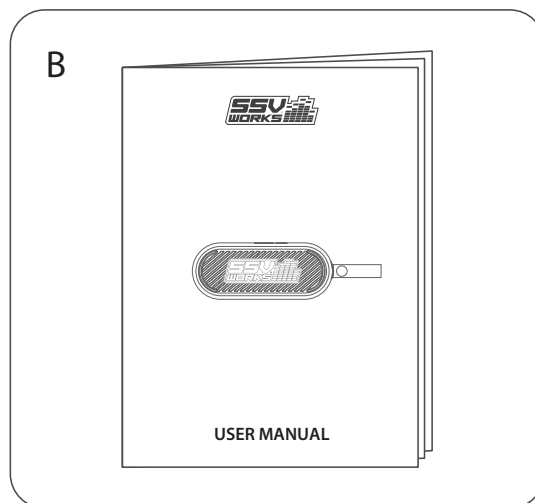
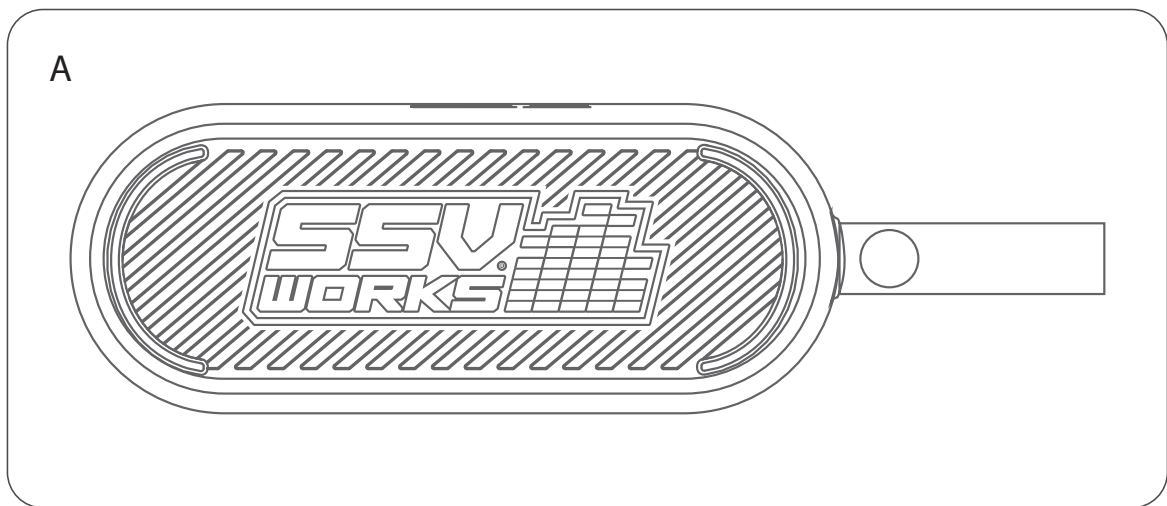
USER MANUAL



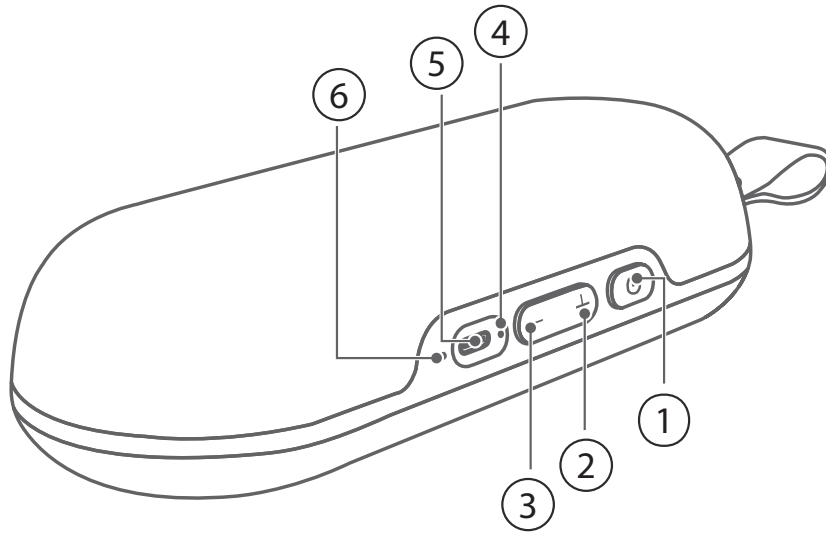
BLUETOOTH SPEAKER AND ACCESSORIES








A: Bluetooth speaker

B: User manual



BASIC FUNCTION



- ①  **Power On/Off:** Press and hold for 2 seconds.
Play/Pause | Answer/End Call: Press once quickly.
Reject Incoming Call | TWS Connect /Disconnect: Press three times quickly
- ②  **Volume Up:** Press once to Increase
Track Forward: Press and hold for 2 seconds
- ③  **Volume Down:** Press once to Increase
Track Back: Press and hold for 2 seconds
- ② ③  **Bluetooth Disconnect:** Short press
- ④  Status Indicator Light
- ⑤  USB Type-C Charging Port
- ⑥  Built-in Microphone for Calls

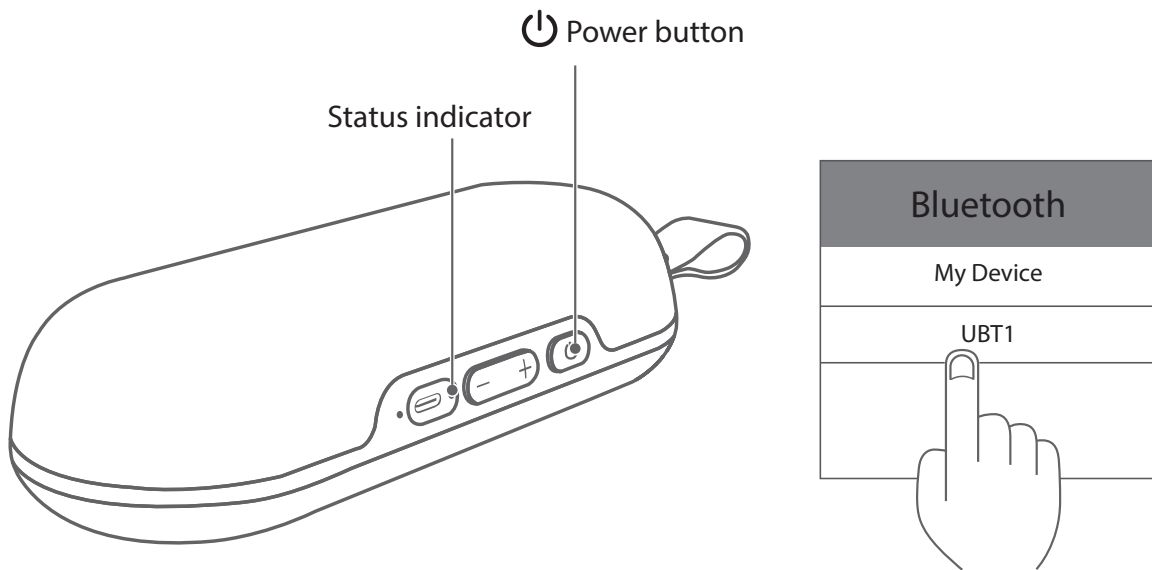
OPERATIONS

1. Power On/Off

Press and hold “⏻” for 2 seconds

2. Bluetooth Mode

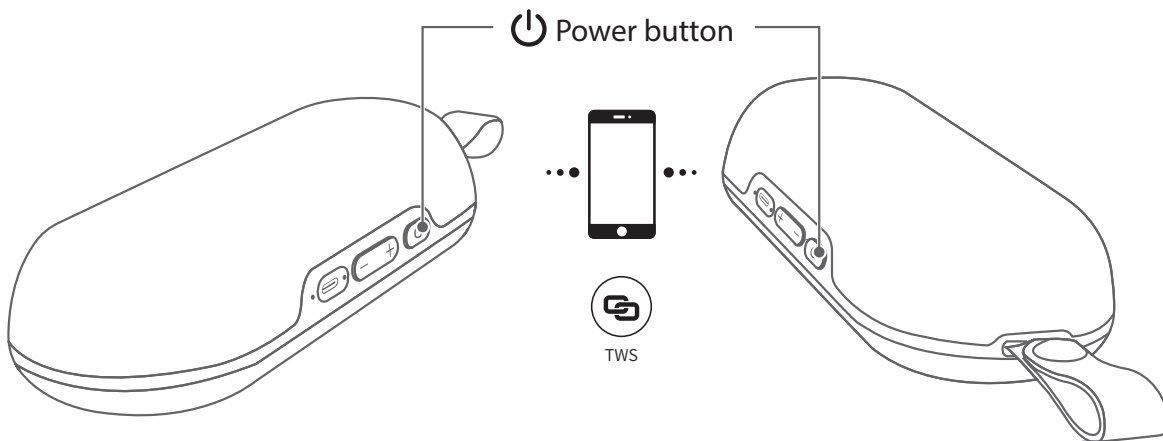
Press and hold the “⏻” button for 2 seconds to power on. You’ll hear a startup tone, and the speaker will automatically enter Bluetooth pairing mode—the blue indicator light will begin flashing. On your device, select “UBT1” from the Bluetooth list. Once connected, you’ll hear a confirmation tone, and the blue indicator will stay solid. You’re now ready to play music.



OPERATIONS

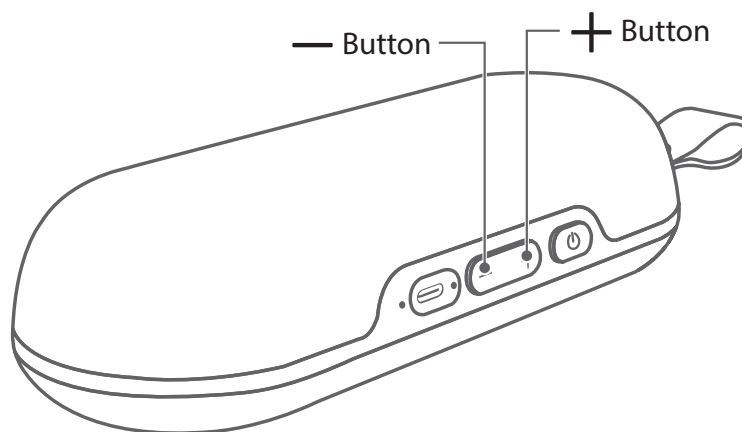
3. TWS (True Wireless Stereo) Pairing

After powering on—but before connecting to any device—press the “⏻” button three times on either speaker to activate TWS mode. You’ll hear a tone, and the blue indicator will start flashing. Once the two speakers pair successfully, another tone will play. The slave speaker's blue light will stay solid, while the master speaker's blue light will continue flashing. You can now connect the master speaker to your device via Bluetooth.



4. Volume & Track Control

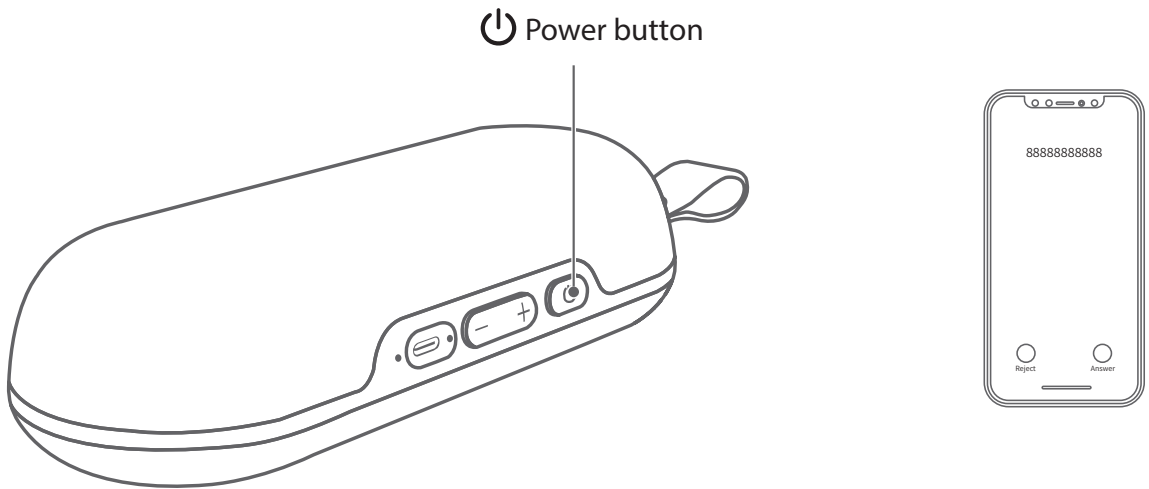
To adjust the volume, tap the “+” button once to increase the volume. A prompt tone will play when the maximum volume is reached. To skip to the next track, press and hold the “+” button for 2 seconds. To lower the volume, tap the “-” button once. To go back to the previous track, press and hold the “-” button for 2 seconds.



OPERATIONS

5. Calling

When a call comes in, tap the “⏻” button to answer.
To hang up, tap the “⏻” button again



OPERATIONS

6. Power Saving Mode

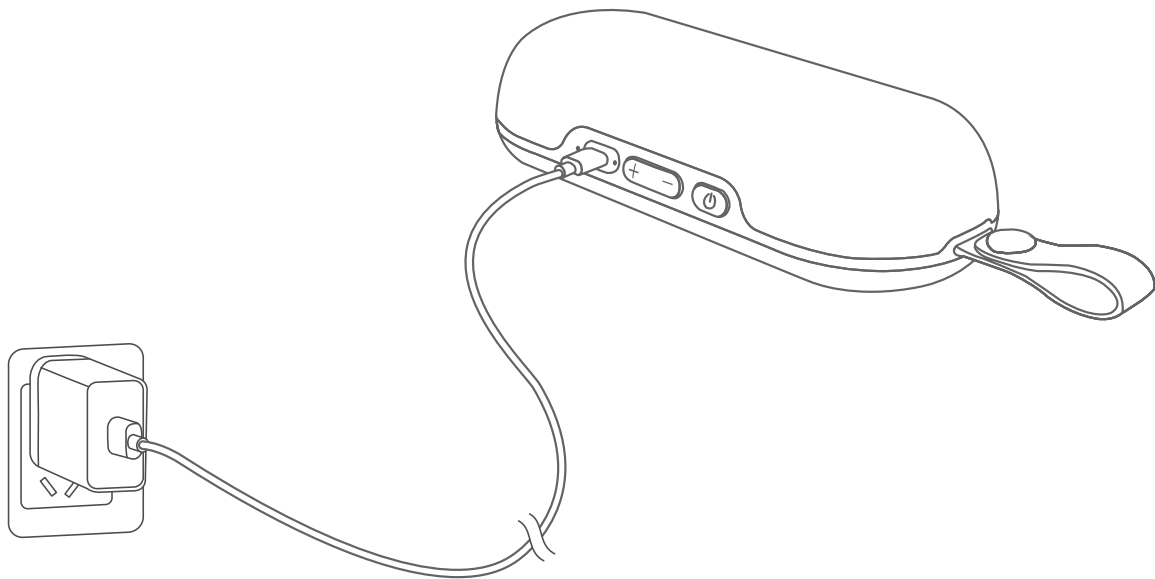
The speaker will automatically power off after 10 minutes of inactivity if no device is connected, helping to preserve battery life.

7. Charging

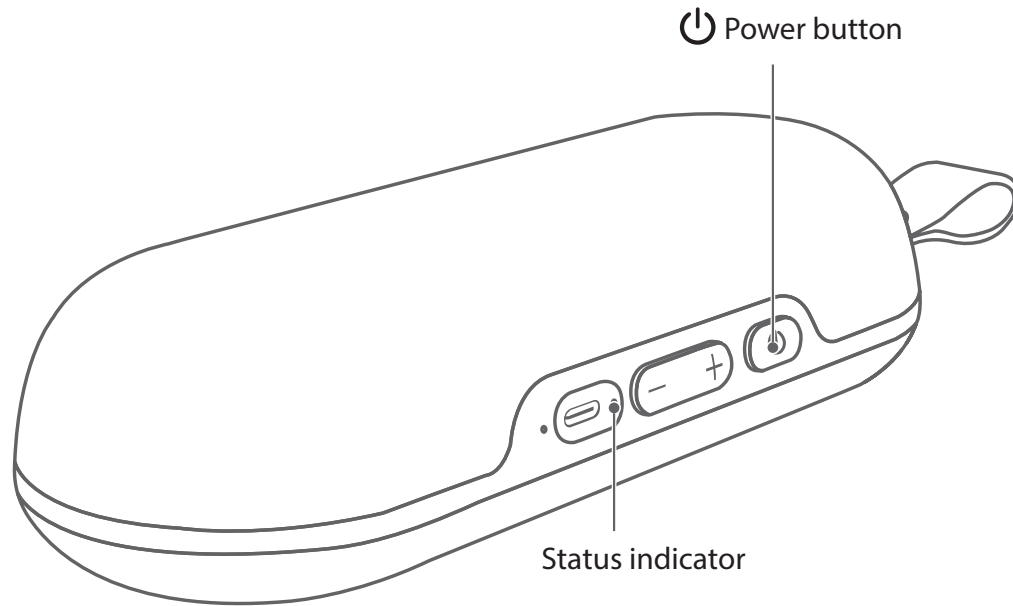
Important note :

Use the included USB-C charging cable and a power source with an output of 5V/2A or higher.

Charge the speaker when you hear a low battery prompt or see the red indicator light flashing. While charging, the red indicator will stay on, and it will turn off once the speaker is fully charged.



FUNCTION INSTRUCTIONS



Status indicator	Power On / TWS Mode: Solid blue light
	Low Battery: Flashing red light
	Charging: Solid red light
	Fully Charged: Red light off

SPECIFICATIONS

Product Name	UBT1
Bluetooth Version	5.3
Battery Capacity	3.7V/2600mAh
Playing Time	5-6 hours (70% volume) 6-8 hours (50% volume)
Talking Time	8-10 hours
Charging Time	3-4 hours
Charging Current	5V \Rightarrow 1A
Speaker Unit	8W x2
Product Size	199 x 80 x 47.2mm
Product Weight	501g \pm 50

FREQUENTLY ASKED QUESTIONS

Q1: What kind of charger should I use for the speaker?

A: You can use any standard USB charger, but we recommend using one with an output of 5V/2A or higher for optimal performance.

Q2: What if there is noise or the sound cuts in and out during playback?

A: For best results, keep the speaker within 10 meters (about 33 feet) of your device in an open, unobstructed area. Interference or obstructions—like walls or long distances—can cause audio disruptions.

Q3: Why does the speaker turn off automatically after powering on with no operation?

A: If no Bluetooth connection is made within 10 minutes, the speaker will shut down automatically to conserve battery power.

Q4: Why can't the speaker reconnect to a previously paired phone?

A: Remove the speaker from your phone's Bluetooth list, then restart the pairing process.

Q5: What should I do if the speaker won't turn on or isn't working properly?

A: Plug in the charger and let it charge for a while. Then press and hold the power button for 10–30 seconds to reset the speaker.

Notes:

1. Please read this manual carefully before use and keep it for future reference.
2. Fully charge the speaker before using it for the first time.
3. Use only certified adapters that meet national safety standards.
4. If the product will not be used for an extended period, charge it at least once a month to maintain battery performance.
5. Do not use the speaker in extremely hot or cold environments. The recommended temperature range is 5°C to 35°C (41°F to 95°F). Operating the speaker outside this range may cause it to shut down automatically to protect internal components.
6. Charging in high temperatures may cause the speaker to stop charging as a safety precaution. If this happens, the charging indicator will flash rapidly to indicate the internal or ambient temperature is too high.
7. Recommended storage temperature: -5°C to 35°C (23°F to 95°F), with relative humidity below 70% (ideal storage: 25°C ± 5°C / 77°F ± 9°F).

Important Safety Instructions:

1. Do not attempt to disassemble or repair the speaker yourself, as this may result in damage or personal injury.
2. To reduce the risk of fire, do not cover the speaker with items like newspapers, tablecloths, or curtains during use.
3. If the speaker is water-resistant, do not exceed the specified water resistance limits outlined in the product specifications.
4. If the speaker is damaged (e.g., the power cord or plug is compromised, liquid or foreign objects enter the unit, it stops functioning, or it has been dropped), stop using it and seek professional repair.
5. Once the speaker is fully charged, disconnect it from the charger—prolonged charging may reduce battery life.
6. Do not operate the product in environments where the ambient temperature exceeds 40°C (104°F).

*This speaker supports use with mobile phones, tablets, PCs, and more. This manual primarily uses mobile phones for illustration purposes.

Federal Communications Commission (FCC) Statement.

This device complies with part 15 of the FCC Rules.

Operation is subject to the following two conditions:

1. This device may not cause harmful interference, and
2. This device must accept any interference received, including interference that may cause undesired operation.

Note: This equipment has been tested and found to comply with the limits for a Class B digital device, pursuant to part 15 of the FCC Rules. These limits are designed to provide reasonable protection against harmful interference in a residential installation. This equipment generates and uses and can radiate radio frequency energy and, if not installed and used in accordance with the instructions, may cause harmful interference to radio communications. However, there is no guarantee that interference will not occur in a particular installation. If this equipment does cause harmful interference to radio or television reception, which can be determined by turning the equipment off and on, the user is encouraged to try to correct the interference by one or more of the following measures:

- Reorient or relocate the receiving antenna.
- Increase the separation between the equipment and receiver.
- Connect the equipment into an outlet on a circuit different from that to which the receiver is connected.
- Consult the dealer or an experienced radio/TV technician for help.

Warning: Changes or modifications made to this device not expressly approved by **SSV Works Inc.** may void the FCC authorization to operate this device.

Note: The manufacturer is not responsible for any radio or TV interference caused by unauthorized modifications to this equipment. Such modifications could void the user's authority to operate the equipment.

RF exposure statement: This device complies with FCC RF radiation exposure limits set forth for an uncontrolled environment. The device is installed and operated without restriction.the equipment.

FCC ID: 2AHSB-UBT1



RoHS C E FC  

MADE IN CHINA