



INSTALLATION INSTRUCTIONS

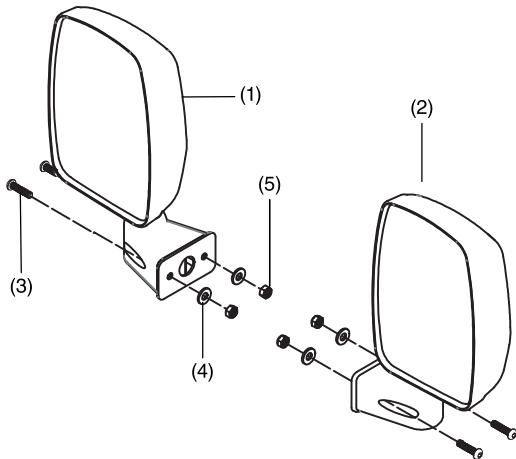
Accessory
**SIDE MIRRORS
 (Door mount)**
 P/N 0SV05-HL3-202

Application
SXS700M4/M2

Publication No.
MII 14607
 Issue Date
August 2013

Honda Dealer: Please give a copy of these instructions to your customer.

PARTS LIST



No.	Description	Qty
(1)	Left mirror	1
(2)	Right mirror	1
(3)	Screw	4
(4)	Washer	4
(5)	Nut	4

HARD FRONT DOORS
 Sold separately

The hard doors are required for side mirror installation.

TOOLS REQUIRED

- Hex wrench (4 mm)
- Wrench (10 mm)
- Torque wrench
- Drill bit (1/4 in)
- Power drill

TORQUE VALUES

Tighten all screws, bolts, and nuts to their specified torque values. Refer to the Service Manual for the torque values of the removed parts.

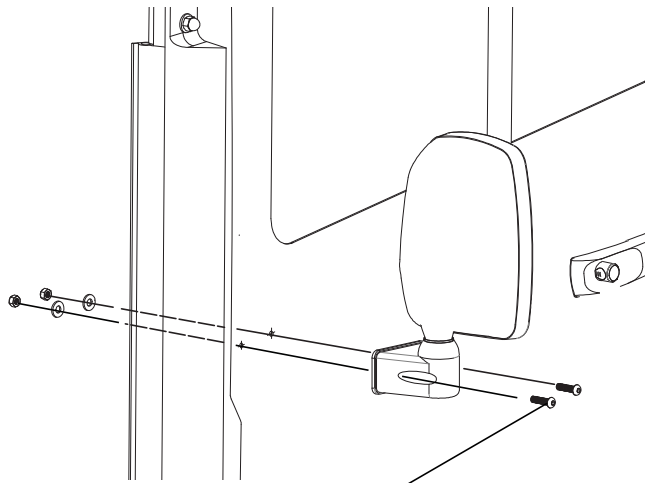
Item	N-m	kgf-m	lbf-ft
Screw	1	0.1	0.7

USE AND CARE INFORMATION

- Check the accessory mounts frequently and retighten if necessary.
- Replace this accessory with a new one if it is damaged or discolored excessively.
- When this accessory becomes dirty, rinse it thoroughly with cool water to remove loose dirt, and then wash with warm, soapy water and a clean cloth or sponge.
- Do not use a brush to clean this accessory as it may scratch the surface.
- Never use petroleum solvents such as gasoline, thinner and benzene to clean this accessory. Also do not use acid or alkaline cleaners.

INSTALLATION

1. Locate the cross hatch marks on the inside of the left door. Drill through cross hatch marks using a ¼ inch drill bit.



SCREW
TORQUE: 5 lbf-ft (6.8 N-m, 0.69 kgf-m)

2. Align the left mirror with the holes drilled in Step 1. Insert two screws from the outside. Fasten the mirror using two washers and two nuts.
3. Repeat Steps 1 and 2 for the right side mirror.