



INSTALLATION INSTRUCTIONS

Accessory

40IN LIGHT BAR KIT
P/N 0SV31-HL6-A20

Application

SXS1000S 2X/2R/4X/4R
'22 and Newer

Publication No.

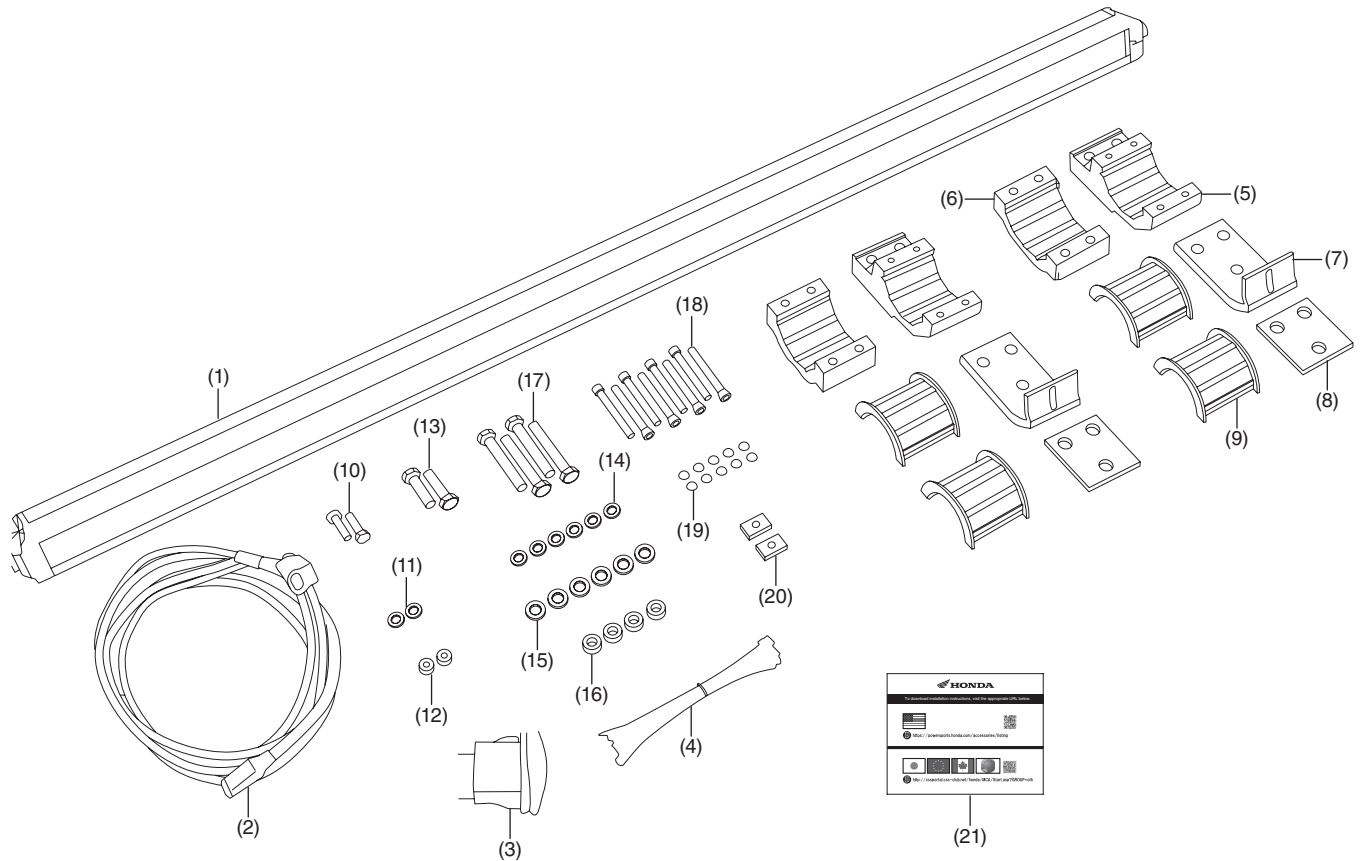
MII 55373

Issue Date

February 2026

Honda Dealer: Please give a copy of these instructions to your customer.

PARTS LIST



No.	Description	Qty	Service Kit	Svc Kit Qty
(1)	LED light bar	1		
(2)	Switch wire harness	1	0SV31-HL6-A20K1	1
(3)	Switch	1		1
(4)	Wire tie	20		
(5)	Upper bar mount	2	0SV31-HL6-A20K2	2
(6)	Lower bar mount	2		2
(7)	Light bar mount	2		2
(8)	Roof spacer	2		2
(9)	Rubber spacer	4		4
(10)	6 × 22 mm bolt	2		2
(11)	6 mm washer	2		2
(12)	6 mm nut	2		2
(13)	8 × 30 mm bolt	2		2

No.	Description	Qty	Service Kit	Svc Kit Qty
(14)	8 × 55 mm bolt	2		2
(15)	8 mm lock washer	4		4
(16)	8 mm washer	6		6
(17)	8 mm nut	6		6
(18)	6 × 50 mm socket bolt	8		8
(19)	6 mm lock washer	10		10
(20)	6 mm square nut	2		2
(21)	Installation instructions URL	1		

Honda

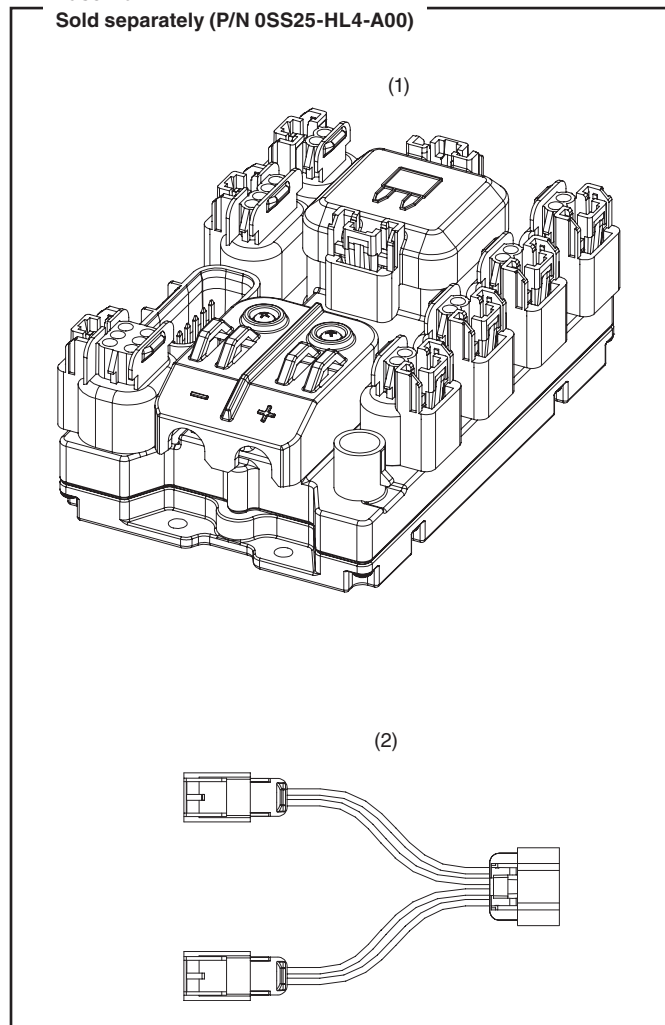
Signature
ACCESSORIES™

ADDITIONAL REQUIRED ACCESSORIES

The items below are required for the installation of this accessory.

Fuse Box

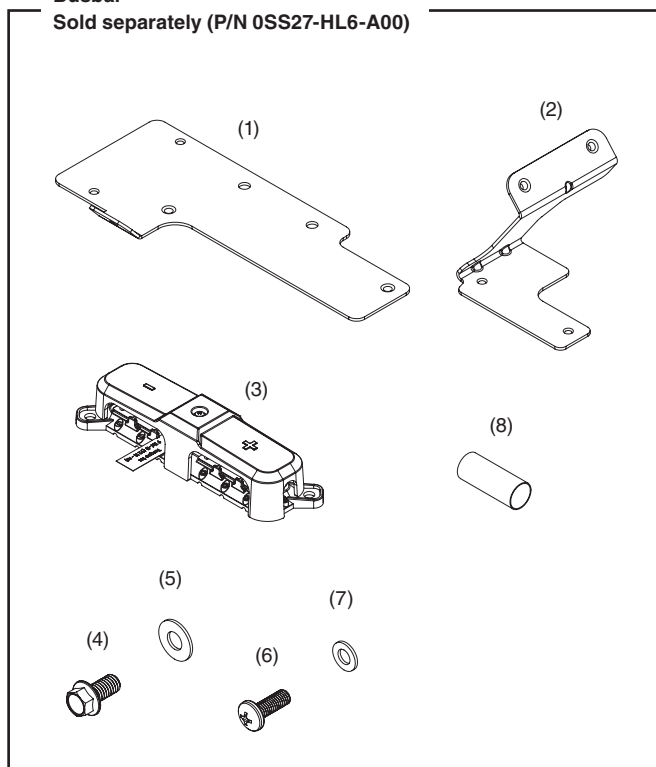
Sold separately (P/N 0SS25-HL4-A00)



No.	Description	Qty
(1)	Fuse box switcher	1
(2)	Harness, 4-pin to 2-pin (Y-splitter)	1

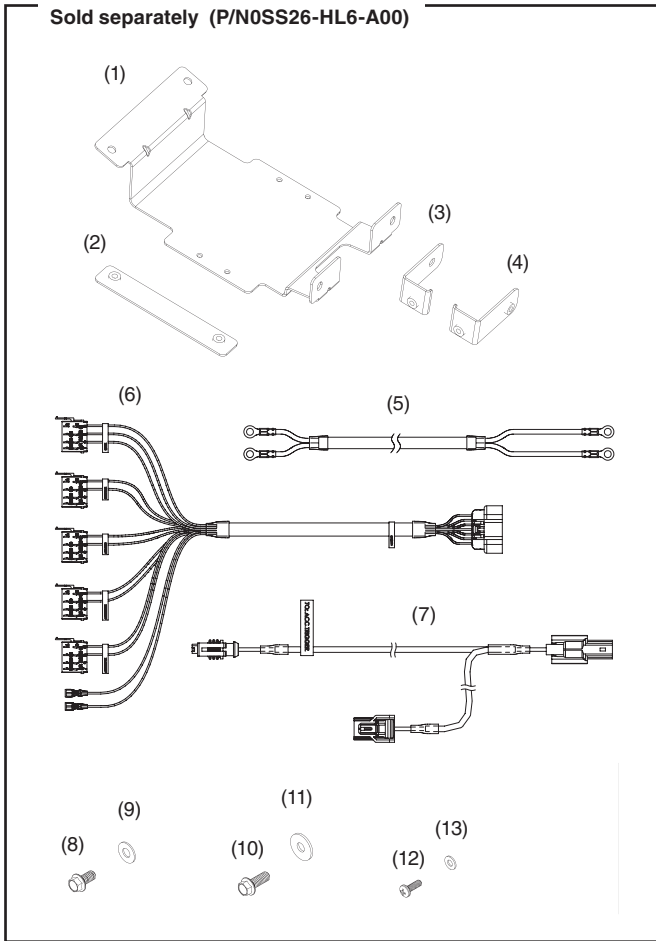
Busbar

Sold separately (P/N 0SS27-HL6-A00)



No.	Description	Qty
(1)	Main busbar mounting plate	1
(2)	Busbar lower support bracket	1
(3)	Busbar	1
(4)	6 x 12 mm flange screw	4
(5)	6 x 14 mm washer	4
(6)	5 x 14 mm phillips head screw	2
(7)	5 x 10 mm washer	2
(8)	Heat shrink	2

Fuse Box Mount Kit
Sold separately (P/N0SS26-HL6-A00)



No.	Description	Qty
(1)	Fuse box mounting plate	1
(2)	Front under bracket	1
(3)	Driver side L-bracket	1
(4)	Passenger side L-bracket	1
(5)	Input power cables	1
(6)	Switch wiring harness	1
(7)	Accessory trigger cable	1
(8)	6 x 12 mm flange screw	4
(9)	6 x 14 mm washer	4
(10)	8 x 16 mm flange screw	2
(11)	6 x 18 mm washer	2
(12)	4 x 12 mm phillips screw	4
(13)	4 mm washer	4

TOOLS AND SUPPLIES REQUIRED

- Hex wrench (4 mm and 3 mm)
- End wrench (13 mm)
- 11/32" or 9 mm drill bit
- 13/16" or 20 mm drill bit
- Drill
- Center punch
- Torque wrench
- Marker

TORQUE CHART

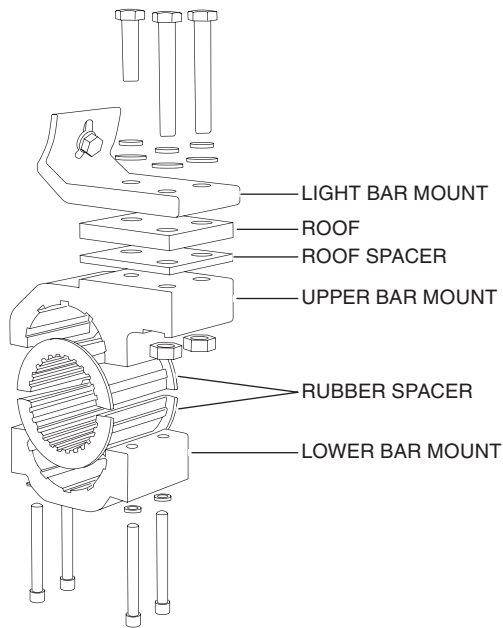
Tighten all screws, bolts, and nuts to their specified torque values. Refer to your vehicle's Service Manual for the torque values of the removed parts.

Item	N-m	kgf-m	lbf-ft
6 x 22 mm bolt	8.8	0.9	6.5
6 x 50 mm bolt	10.8	1.1	8
8 x 30 mm bolt	20.3	2.1	15
8 x 55 mm bolt	20.3	2.1	15

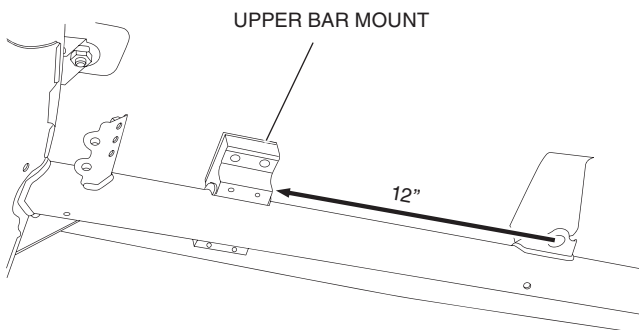
USE AND CARE INFORMATION

- Check the accessory mounts frequently and retighten if necessary.
- When this accessory becomes dirty, rinse it thoroughly with cool water to remove loose dirt, and then wash with warm, soapy water and a clean cloth or sponge. Do not use a brush to clean this accessory as it may scratch the surface.
- Never use petroleum solvents such as gasoline, thinner and benzine to clean this accessory. Also do not use acid or alkaline cleaners.

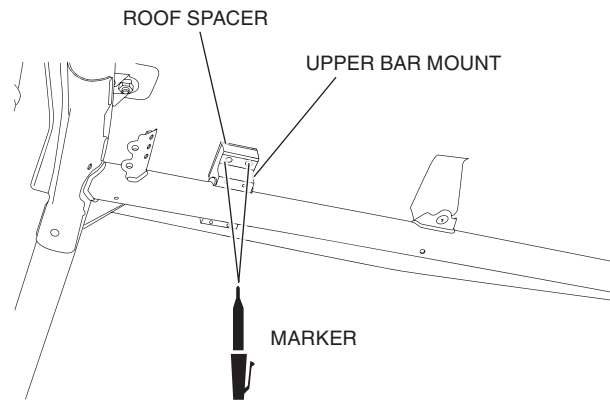
LIGHT BAR INSTALLATION



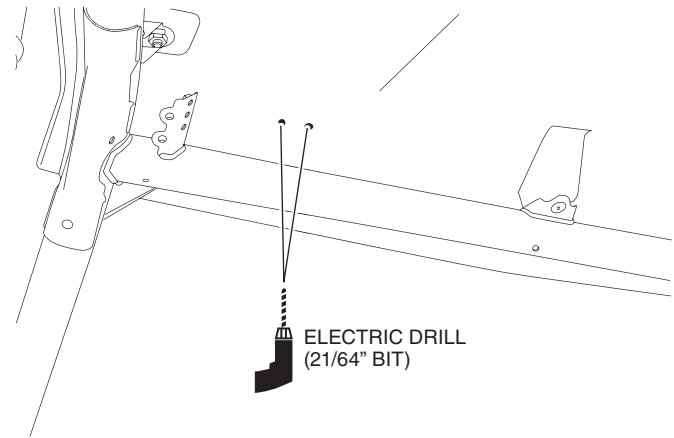
1. Install all required accessories before starting installation.
2. Refer to the vehicle service manual and remove the following parts:
 - Hood
 - Rear hood
 - Rubber splash guard
3. Measure 12" (305 mm) from the center mount of the roof to the inside of the upper bar mount.



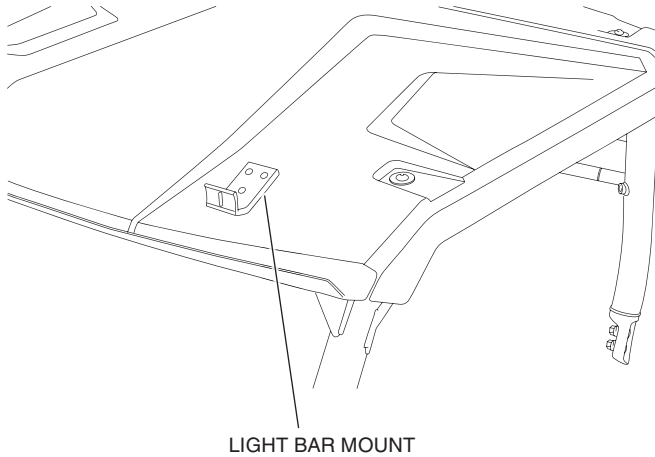
4. With the top of the upper bar mount against the underside of the roof, mark the roof through the holes. Measure and mark on both sides of the vehicle. (It may be helpful to have the roof spacer on top of the upper bar mount to take up the gap)



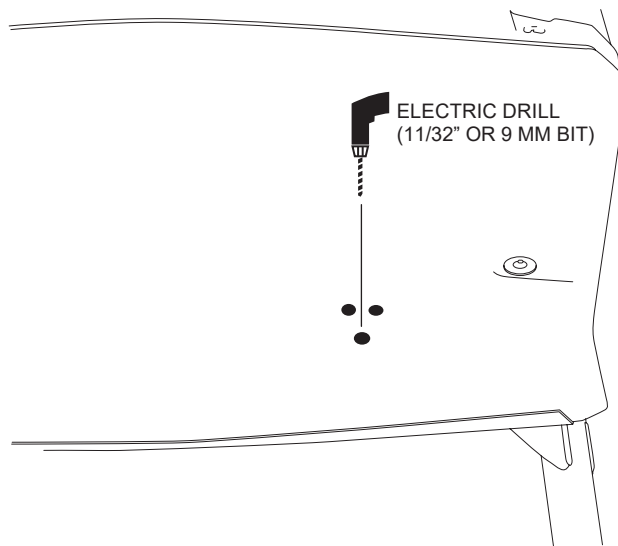
5. Remove the upper bar mount and use the 21/64" drill bit to drill through the marked holes on the roof. Do this on the driver and passenger side.



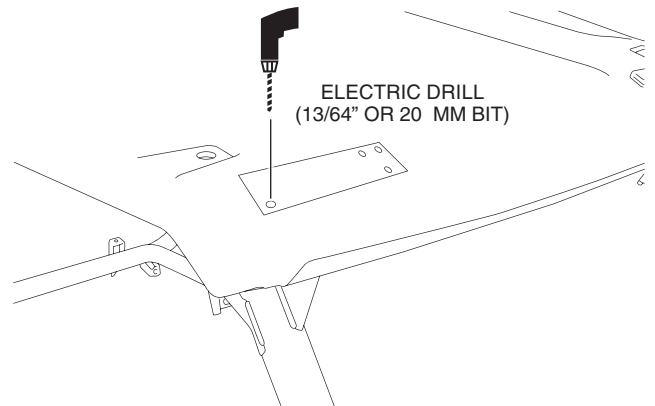
- On the top side of the roof, line up the back holes of the light bar mount with the holes that were drilled in Step 5. Make sure the light bar mount is centered over the upper bar mount.



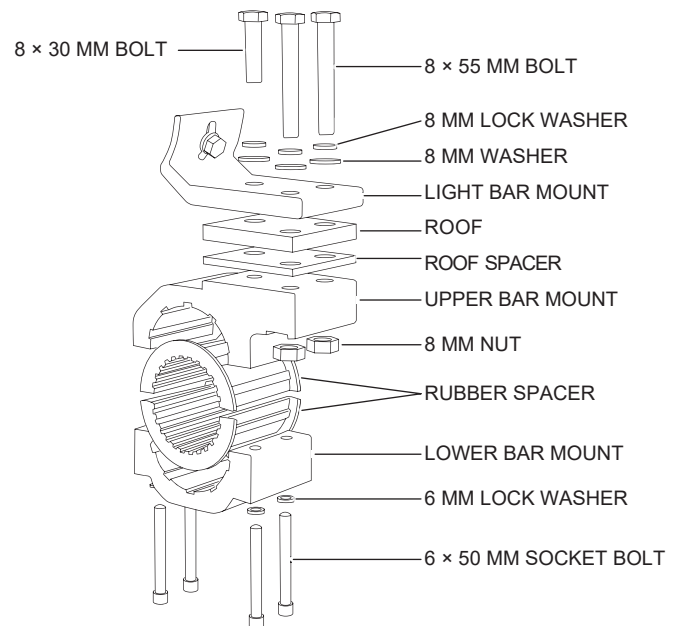
- Mark the front hole of bracket and drill through the roof with the 11/32" or 9 mm drill bit.



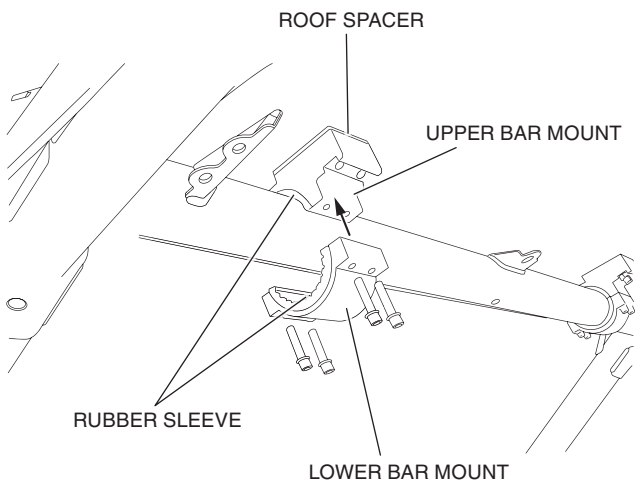
- On passenger side drill the hole for the light bar wiring and grommet. Use the provided template to mark and drill through the roof with a 13/16" or 20 mm drill bit.



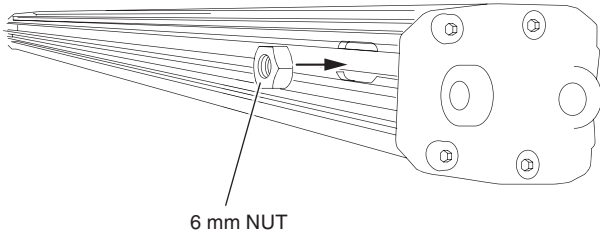
- Note the diagram below for the installation. The roof spacer only to be used with the stock roof (if using the aluminum roof do not use roof spacer).



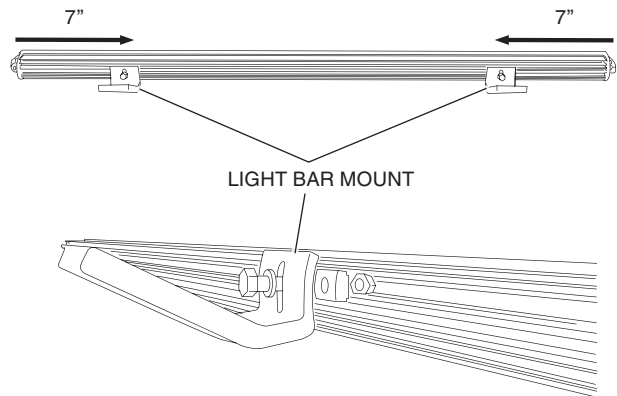
10. Install the parts around the ROPS and loosely tighten hardware. You will need to slide this mount to line up with the roof bolts. Use the roof spacer between the mount and roof (do not use roof spacer with aluminum roof).



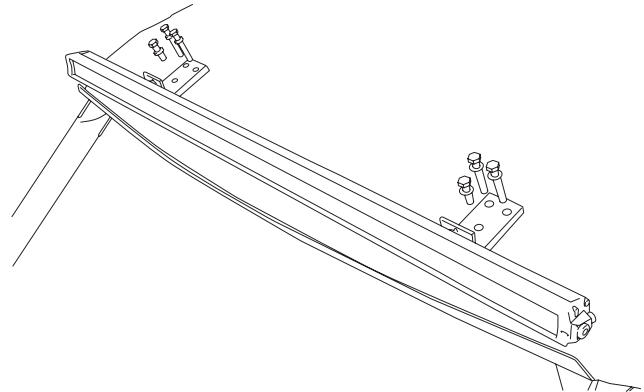
11. Locate notch in the back of the light bar. Insert the 6 mm nuts into the slot and slide them down the channel to attach the light bar mounts.



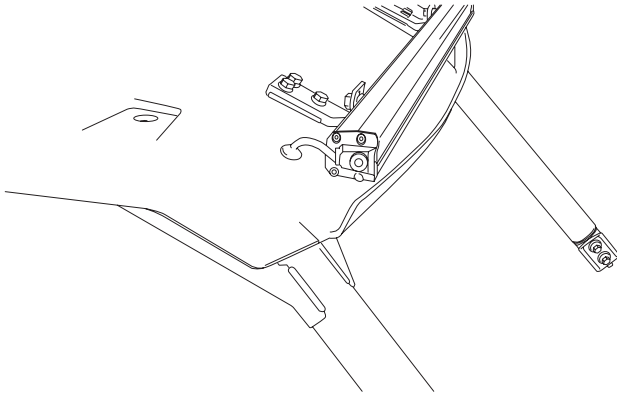
12. Loosely install the light bar mounts onto the light bar 7 inches (180 mm) inward from each end of the light bar using the 6 x 22 mm bolt, 6 mm lock washer, and 6 mm washer.



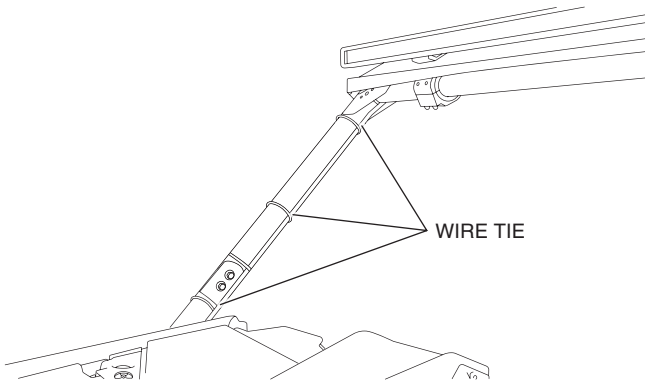
13. Install light bar to roof with the provided 8 mm bolts, 8 mm lock washers, 8 mm washers, and 8 mm nuts. Tighten all light bar mounting hardware to torque specifications. Torque 6 mm bolts on back of light bar.



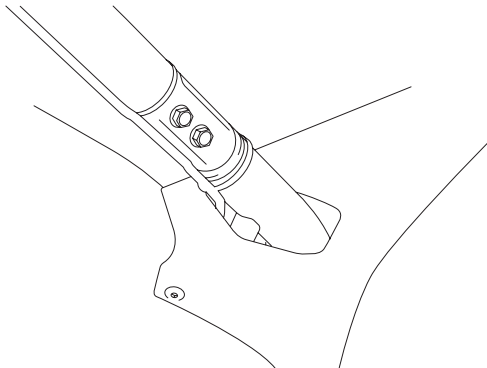
14. Route the wire through the roof and push the grommet into hole to seat it in place.



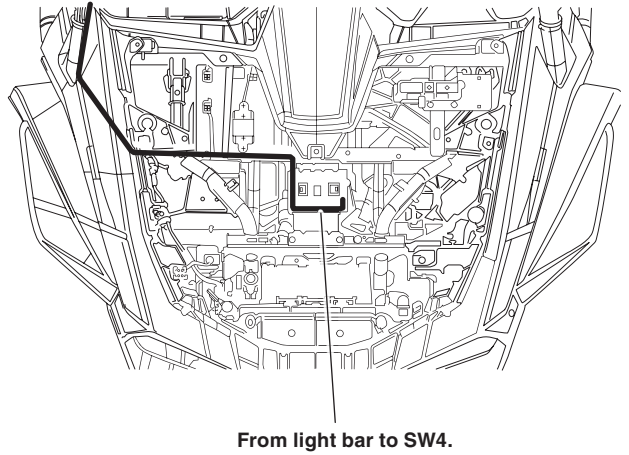
15. Route the wire from the light bar down the A pillar. Use the supplied wire ties to secure it.



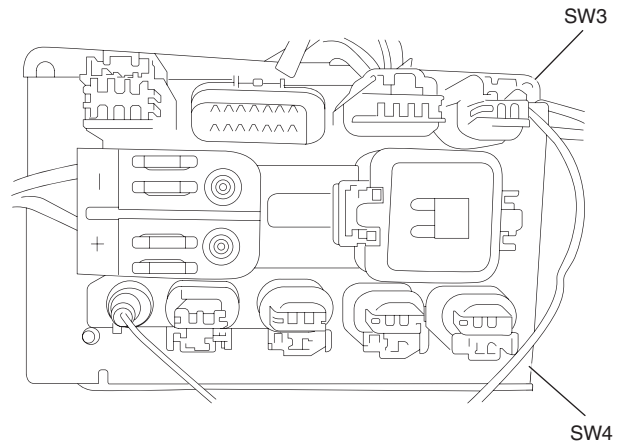
16. Route the wire through the gap in the body that the A pillar goes through.



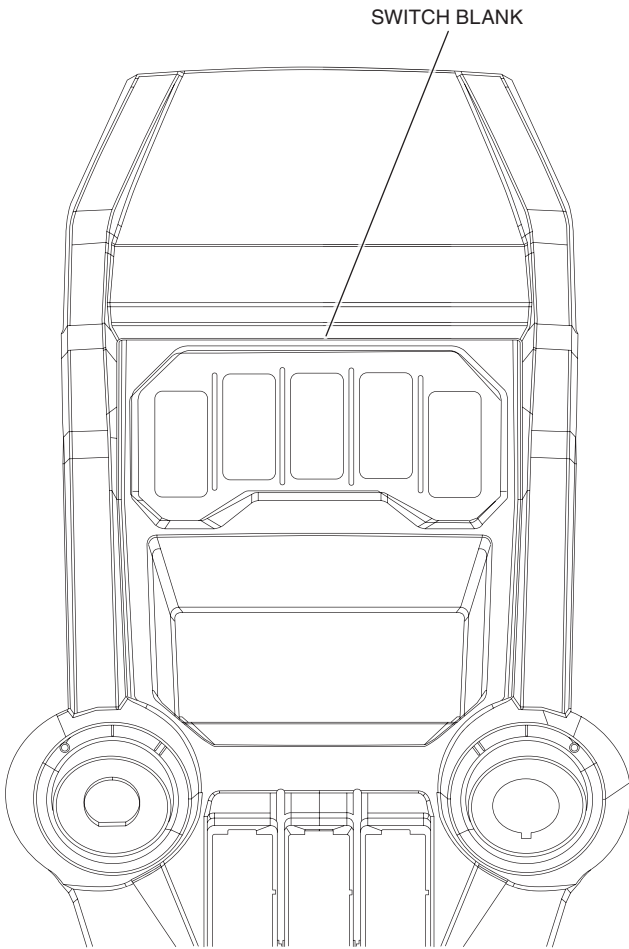
17. Route wire to the fuse box. Secure wiring with wire ties.



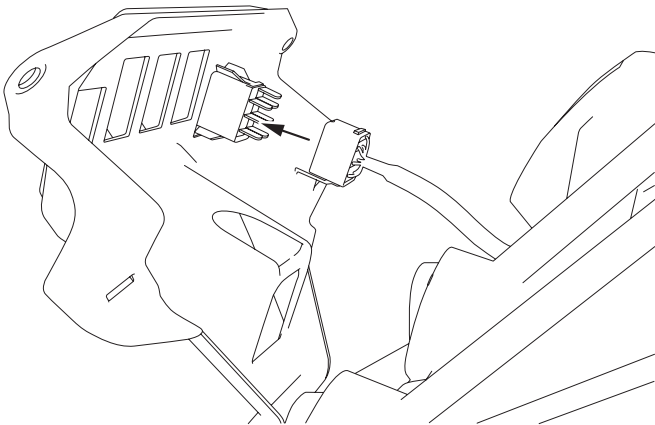
18. Connect light bar to fuse box location SW4.



19. Remove the desired Switch Blank. Use care to not damage, as they may need to be used again.



20. Connect the switch wire harness (from fuse box mount kit) SW4 connector on wire harness to back of switch. Reference fuse box mount kit instructions for wire routing.



21. Reinstall the following in accordance with the vehicle service manual:

- Hood
- Ground cable connection to battery

<TEMPLATE>

Cut template along the lines.

NOTICE

If you print this template from your local computer, make sure the printer settings do not "scale" or "shrink" the page.

Passenger side

Front of roof

