

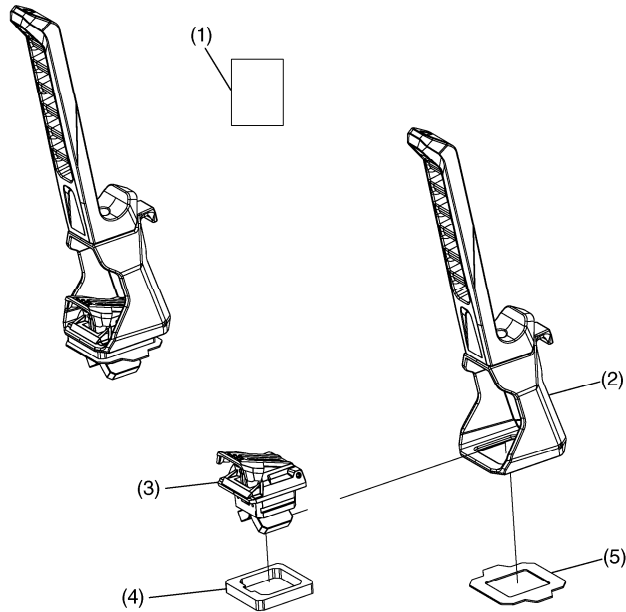


INSTALLATION INSTRUCTIONS

Accessory	Application	Publication No.
MULTI-TOOL STRAP MOUNT P/N 0SM19-HL5-A00	SXS520M2	WII 17623
		Issue Date
		November 2021

Honda Dealer: Please give a copy of these instructions to your customer.

PARTS LIST



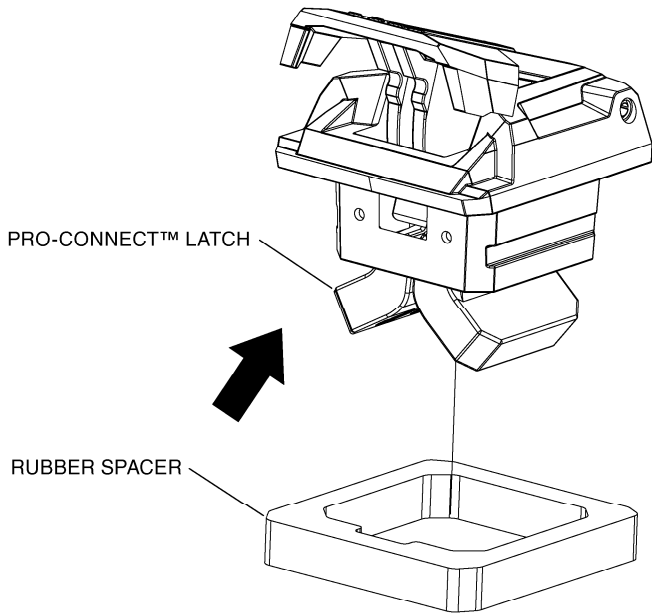
No.	Description	Qty
(1)	Installation Instructions URL	1
(2)	Multi-tool strap mount	2
(3)	Pro-Connect™ latch	2
(4)	Rubber spacer	2
(5)	Circlip	2

NOTE:

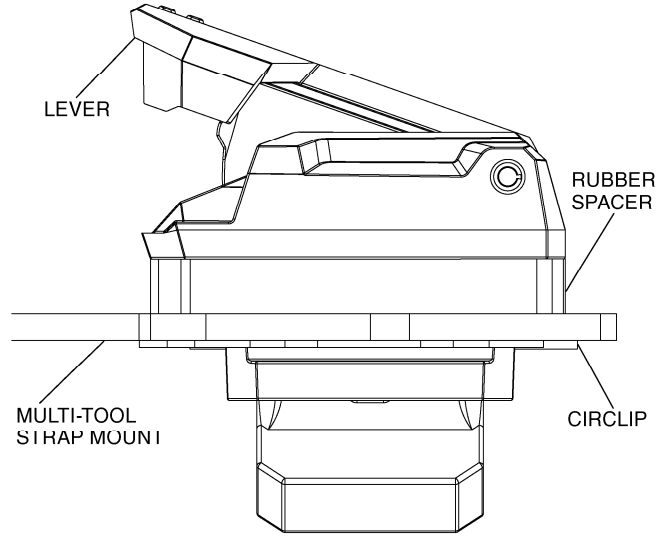
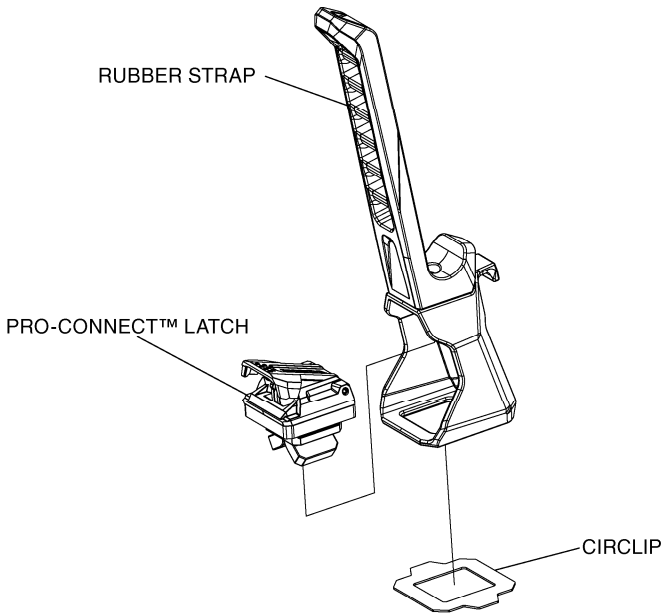
- **Maximum weight capacity for the multi-tool strap mount (pair): 10 lbs.**
- **Do not exceed weight capacity. Always use the tool holder in pairs.**
- **Make sure tool holders and all cargo is properly secured in tool holders before SXS is in motion.**
- **Always make sure the Pro-Connect™ latches are properly engaged before riding.**
- **Please read and follow all instructions and warning supplied with Multi-tool holder.**

INSTALLATION

1. Lift the lever on each Pro-Connect™ latch to unlock them and install the Rubber Spacer.



2. Insert the Pro-Connect™ latch in the multi-tool strap mount installation holes and secure them using the circlips.



3. Make sure the Pro-Connect™ latch lever are in the open position then locate the multi-tool strap mount onto the vehicle bed (or compatible accessory) by aligning each Pro-Connect™ latch with his corresponding bed installation hole. Lock the multi-tool strap mount in place by pressing down the two Pro-Connect™ latch levers.

