

HONDA

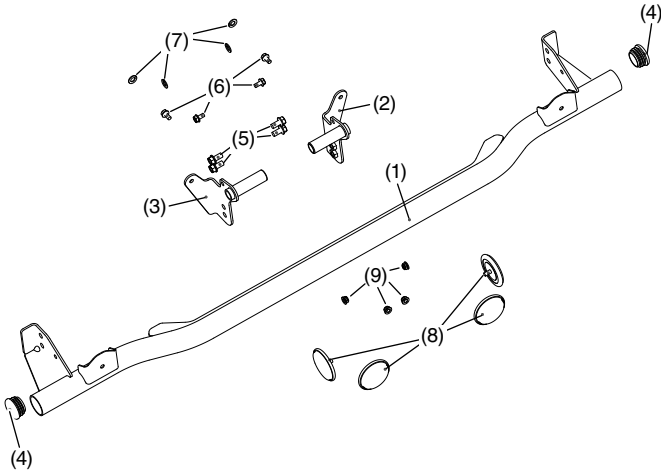
INSTALLATION INSTRUCTIONS

Accessory
REAR BUMPER
P/N 08P70-HL5-H60

Application
After '20 SXS520

Publication No.
MII 17255
Issue Date
January 2021

PARTS LIST



No.	Description	Qty
(1)	Rear Bumper	1
(2)	Passenger Rear Bumper Accessory Hinge	1
(3)	Driver Rear Bumper Accessory Hinge	1
(4)	End Caps	2
(5)	8 mm Flange Bolt	4
(6)	6 mm Flange Bolt	4
(7)	Washer 6.5 mm x 16 mm	4
(8)	Reflector	4
(9)	6 mm Flange Nut	4

TOOLS AND SUPPLIES REQUIRED

Torque Wrench
Socket (10 mm, 12 mm)
Hex Head Socket (5 mm, 6 mm)
Screwdriver

TORQUE CHART

Tighten all screws, bolts, and nuts to their specified torque values. Refer to the Service Manual for the torque values of the removed parts.

Item	N-m	kgf-m	lbf-ft
6 mm Flange Bolt and Nut	12.0	1.2	8.9
8 mm Flange Bolt	27.0	2.8	19.9

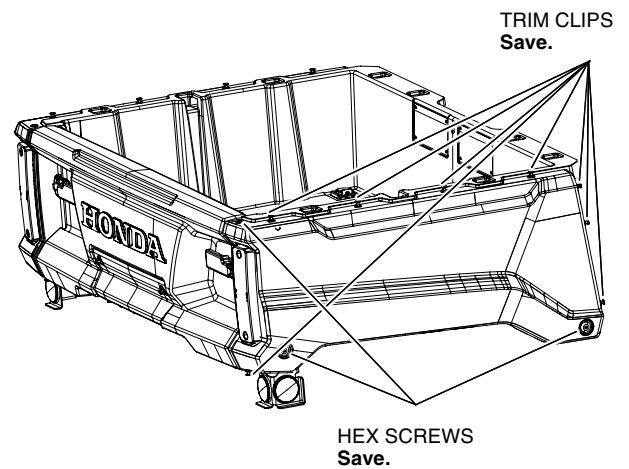
USE AND CARE INFORMATION

Check the accessory mounts frequently and retighten if necessary.

INSTALLATION

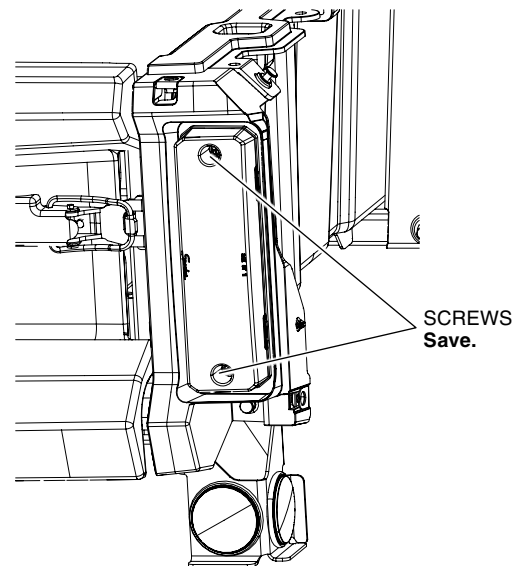
1. Remove three hex screws and eight trim clips from the passenger side bed side cover. Remove the cover.

-Repeat on the driver side-



2. Disconnect the passenger side taillight coupler. Remove the two screws from the taillight then remove the taillight.

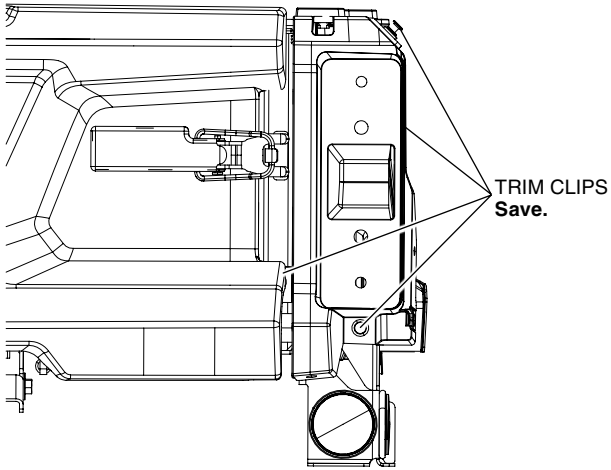
-Repeat on the driver side-



- Remove four trim clips from the passenger side taillight bracket. Remove the taillight bracket.

Note: It may be required to temporarily open the tailgate to access the fourth trim clip.

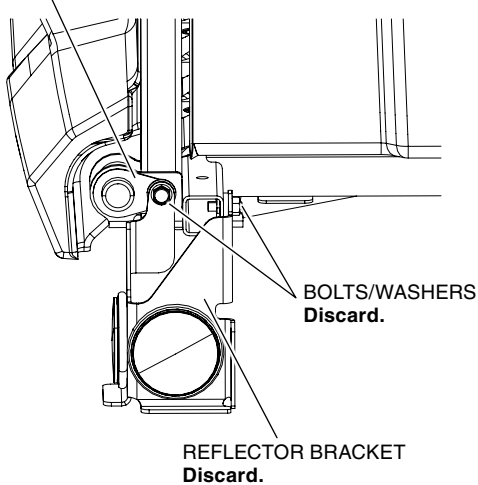
-Repeat on the driver side-



- Remove two 6 mm bolts from the passenger reflector bracket then remove the reflector bracket and tailgate hinge.

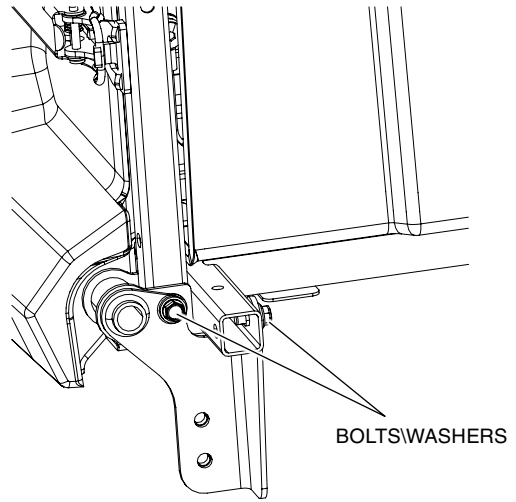
-Repeat on driver side-

TAILGATE HINGE
Discard.

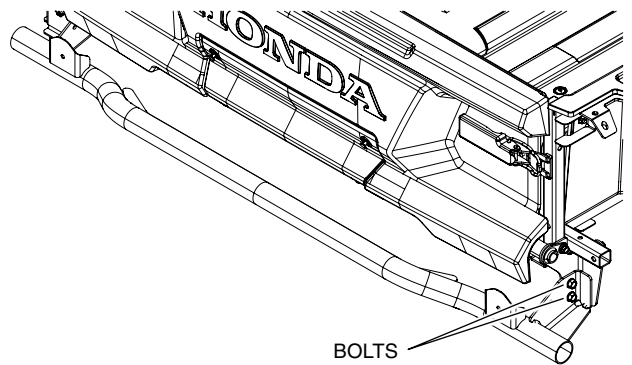


- Slide the passenger rear accessory hinge into the hinge joint. Install two 6 mm bolts/washers. Tighten bolts to the value specified in the torque chart.

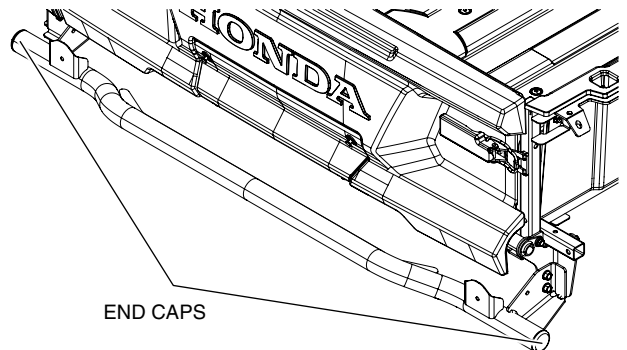
-Repeat on driver side-



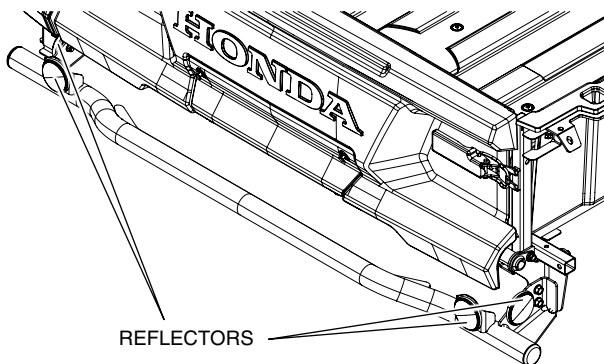
- Align the rear bumper to hinge brackets and attach with four 8 mm bolts. Two on driver side and two on passenger side. Tighten bolts to the values found in the torque chart.



- Insert driver and passenger end caps.



8. Install two reflectors with 6 mm flange nuts on passenger side bumper. Tighten bolts to the value specified in the torque chart.
-Repeat on the driver side-



9. Reassemble driver and passenger taillight brackets using trim clips removed in step 3.
10. Reassemble driver and passenger taillights using removed screws from step 2. Connect the coupler.
11. Reassemble driver and passenger bed side covers using trim clips and hex screws removed in step 1. Refer to the service manual for the torque values applied to 5 mm and 6 mm hex screws.