



INSTALLATION INSTRUCTIONS

Accessory

FR A-ARM GUARD
P/N 08P74-HL4-AK0

Application

"After 21YM"
SXS1000M3P/M3D/
M3LS/M5P/M5D/M5LS

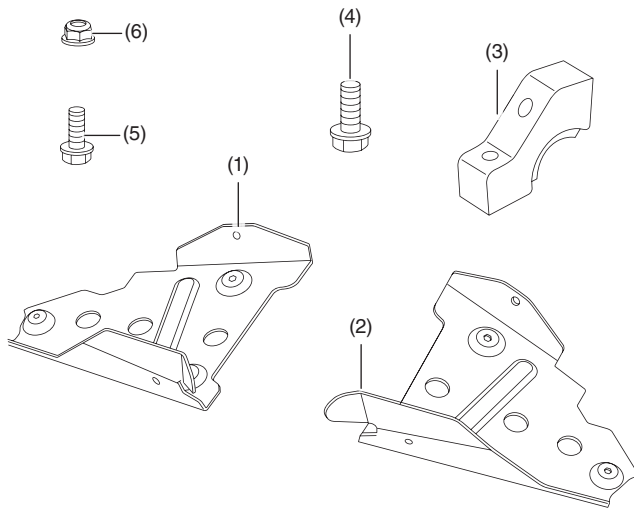
Publication No.

MII 17762

Issue Date

March 2022

PARTS LIST



No.	Description	Qty
(1)	Right front guard	1
(2)	Left front guard	1
(3)	Front guard bracket	4
(4)	8 mm flange bolt - 90115-HA7-670	8
(5)	6 mm flange bolt - 95701-06016-00	2
(6)	6 mm flange nut - 90301-473-003	2

TOOLS AND SUPPLIES REQUIRED

Torque wrench
Ratchet
Socket (10 mm)
Socket (12 mm)
Box-end wrench (10 mm)

TORQUE CHART

Tighten all screws, bolts, and nuts to their specified torque values. Refer to the Service Manual for the torque values of the removed parts.

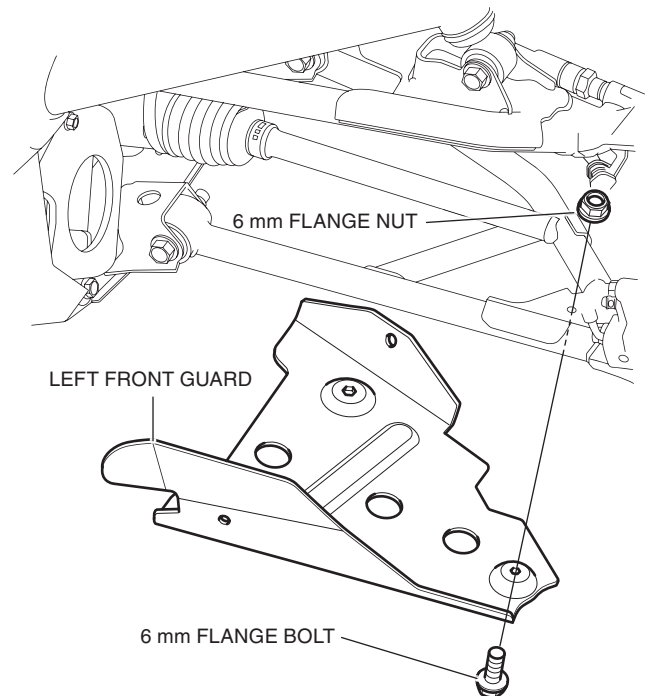
Item	N·m	kgf·m	lbf·ft
6 mm flange nut	12	1.2	9
8 mm flange bolt	26	2.6	19

USE AND CARE INFORMATION

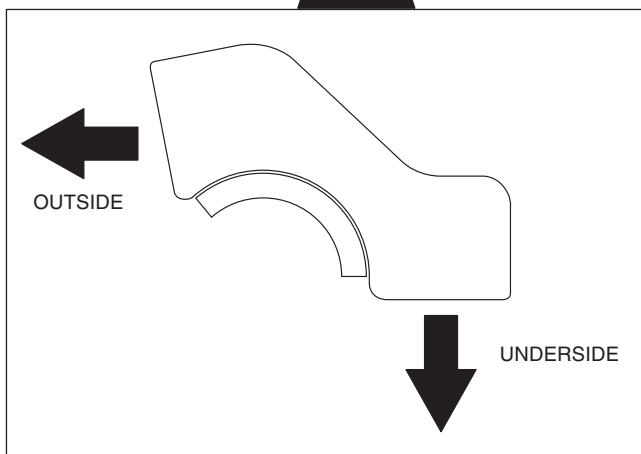
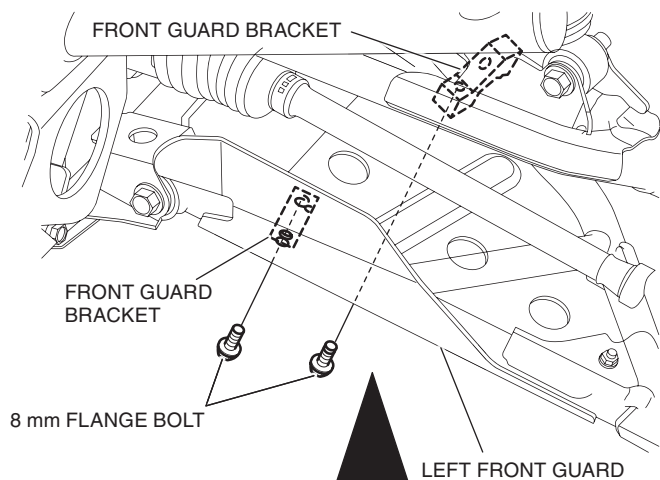
Check the accessory mounts frequently and retighten if necessary.

INSTALLATION

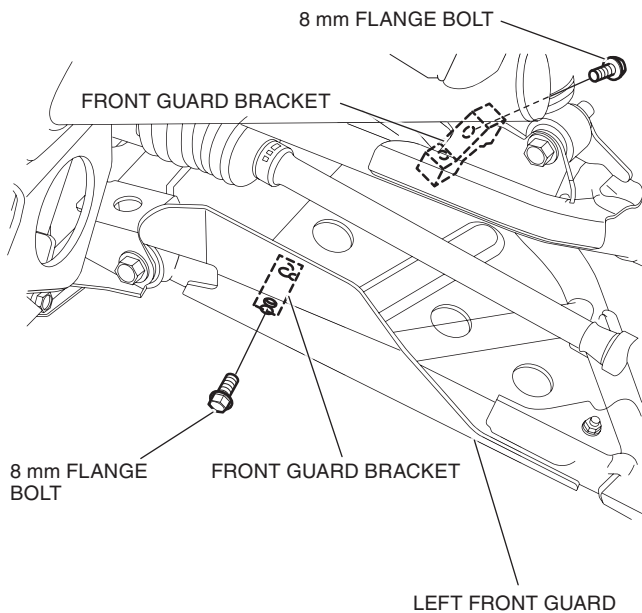
- Loosely install the left front guard as shown.
(Left side)



- Loosely install the front guard brackets as shown.



- Loosely install the 8 mm flange bolts as shown.



- Tighten the loosely installed 6 mm flange bolts and the 6 mm flange nuts securely.
- Tighten the loosely installed 8 mm flange bolts.
- Repeat on right side.