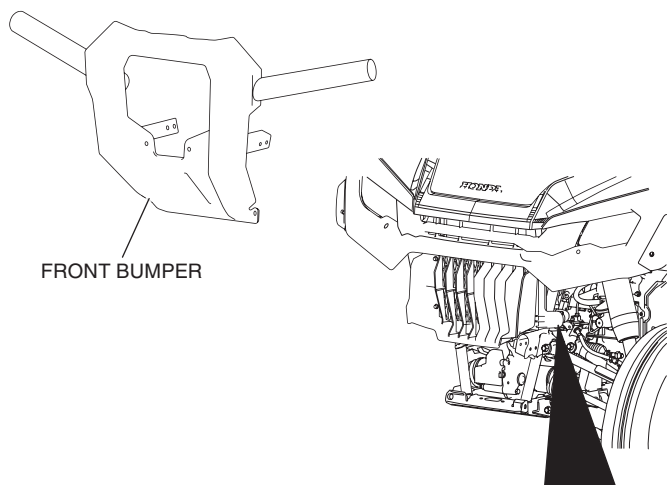
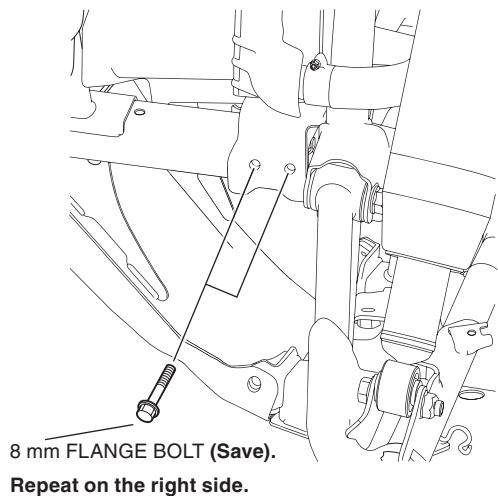




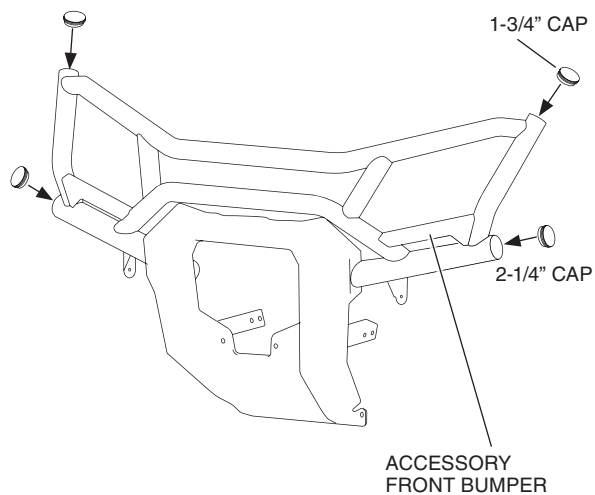
2. Remove the front bumper as shown.



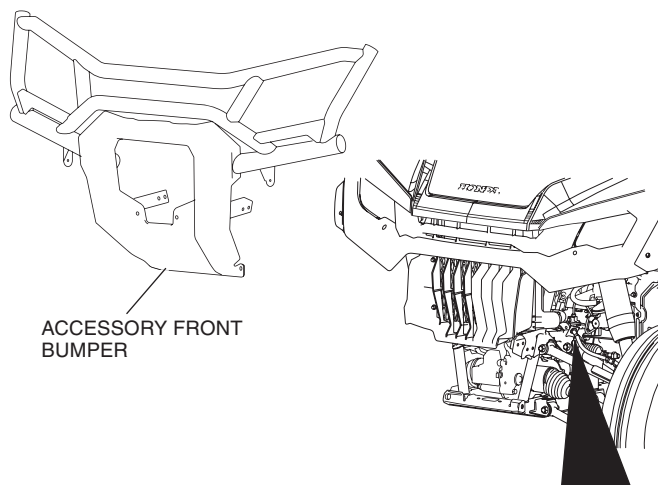
Remove the bolts as shown.



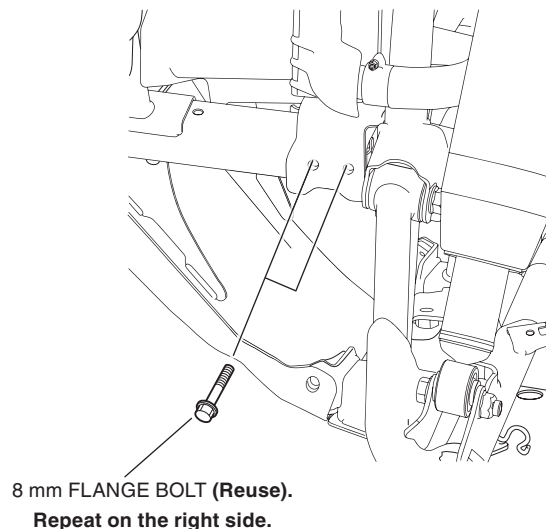
3. Install the caps as shown.



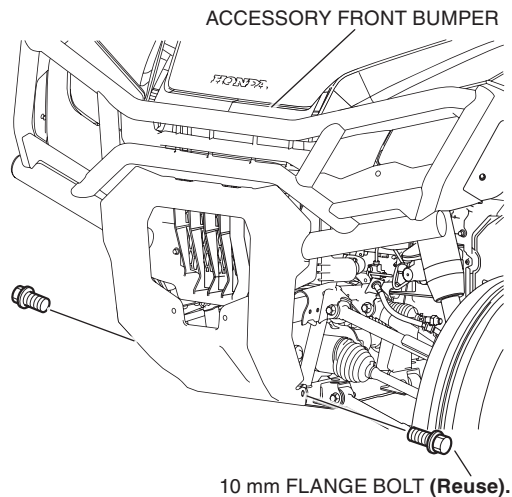
4. Loosely install the accessory front bumper as shown.



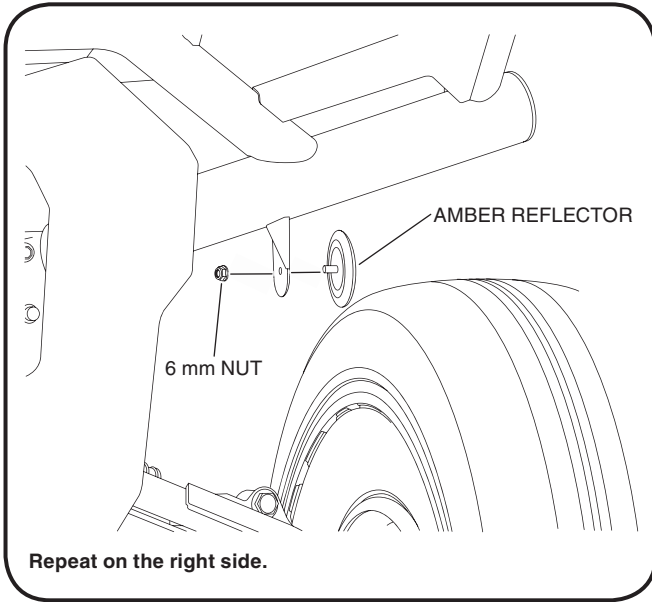
Loosely install the bolts as shown.



5. Loosely install the parts as shown.



6. Install reflectors to accessory bumper as shown.



7. Tighten the loosely installed hardware to the values specified in the Torque Chart.