



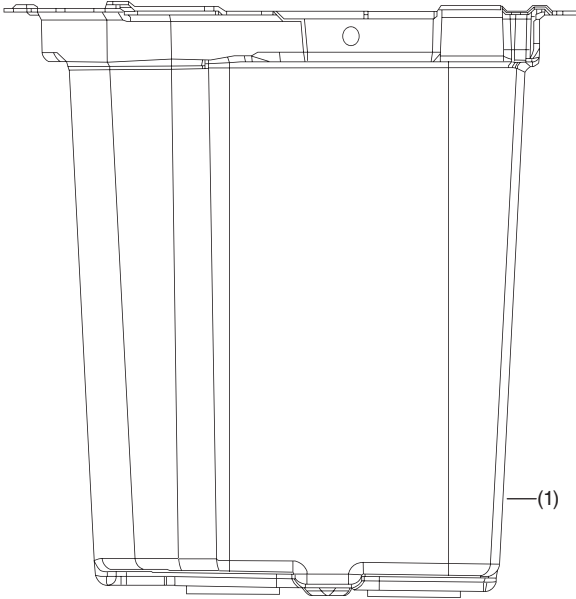
INSTALLATION INSTRUCTIONS

Accessory
**UNDER SEAT STORAGE KIT
P/N 08L71-HL4-AK0**

Application
'22 SXS1000M3P/M5P

Publication No.
MII 17762
Issue Date
January 2022

PARTS LIST



No.	Description	Qty
(1)	Seat under storage	1
(2)	Shoulder bolt, 6 × 19 mm	1

TOOLS AND SUPPLIES REQUIRED

Socket wrench (5 mm)

Torque wrench

TORQUE CHART

Tighten all screws, bolts, and nuts to their specified torque values. Refer to the Service Manual for the torque values of the removed parts.

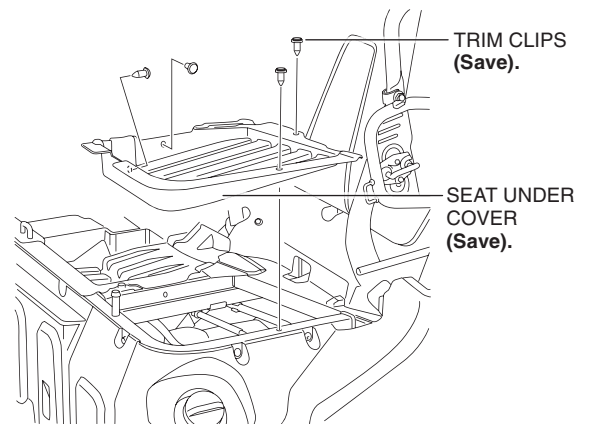
Item	N·m	kgf·m	lbf·ft
6 mm Bolt	10	1	7

USE AND CARE INFORMATION

- Check the accessory mounts frequently and retighten if necessary.
- Replace this accessory with a new one if it is damaged or discolored excessively.
- To clean the under seat storage box, empty the box, clean the interior with warm water and soap using a wet cloth or sponge. Rinse it thoroughly (if necessary) and use the drain plug to empty the water from the box (if necessary). Do not use a brush to clean this accessory as it may scratch the surface.
- Never use petroleum based solvents such as gasoline, thinner or benzene to clean this accessory. Also do not use acid or alkaline cleaners.

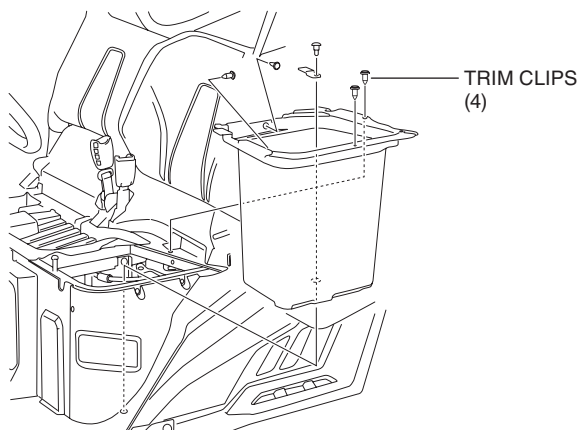
INSTALLATION

1. Referring to the Service Manual for the vehicle, remove the seat, trim clips (QTY 4) and seat under cover.



2. Insert the seat under storage through the opening under the seat.

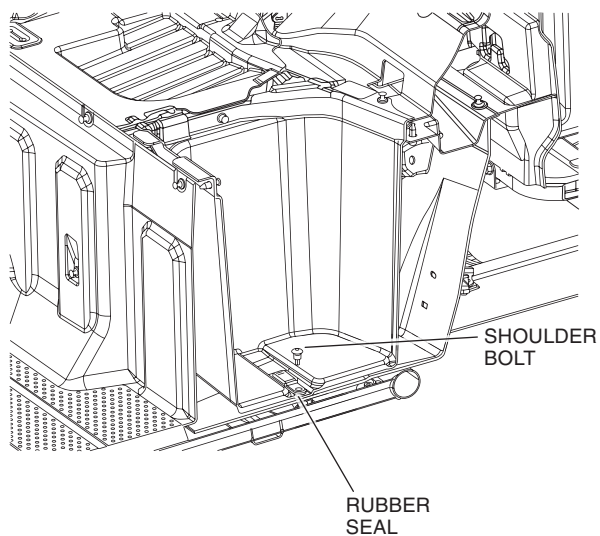
Align the holes between the seat under storage and the under seat frame and replace the four trim clips as shown.



3. Install the shoulder bolt into the bracket on the support pipe by passing it through the rubber seal in the bottom of the box as shown.

Tighten the shoulder bolt to the specification in the torque chart.

<Cross section view>



4. Referring to the Service Manual for the vehicle, re-install the seat in Step 1.

The seat under cover will not be used when the under seat storage is installed.