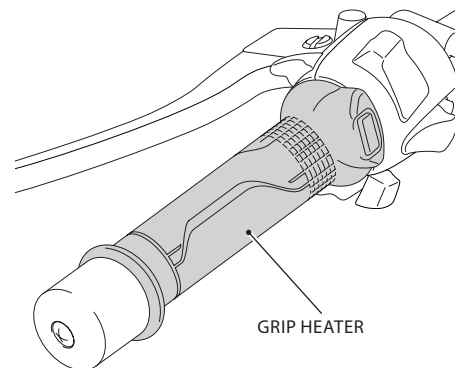


### COMMON

- Added accessories can affect a motorcycle's stability, performance and safe riding speed.

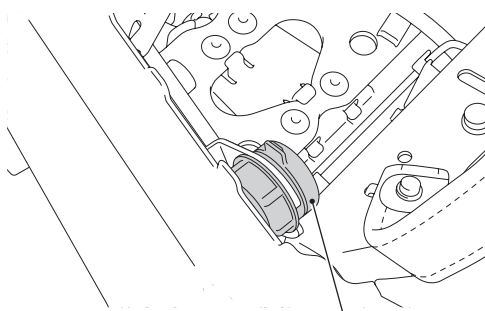
### GRIP HEATER



#### HOW TO USE THE GRIP HEATER

- For operating instruction, refer to the Owner's Manual of the grip heater kit.

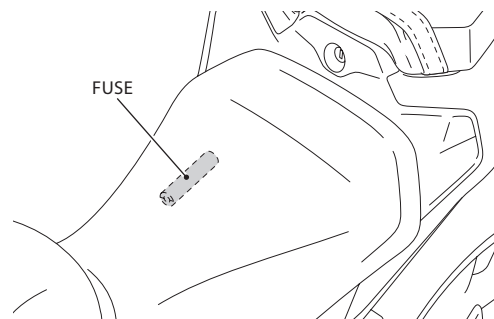
### ACCESSORY SOCKET



ACCESSORY SOCKET

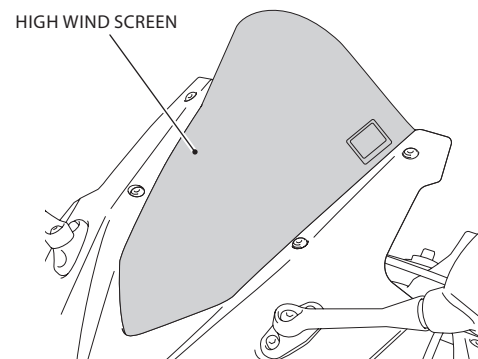
- The maximum power rating of connected accessories is 36W (12V, 3A).
- Use accessories with engine running to avoid discharging the battery.
- Do not use a cigarette lighter, as this can cause a malfunction.
- Cover the socket with the cap when the accessory socket is not used to prevent entry of foreign objects.
- Carefully secure any connected devices, as vibrations may cause them to shift unexpectedly.
- Use a 3A fuse for replacement of the fuse. Do not use any other fuse for replacement.

<UNDER THE SEAT>



FUSE

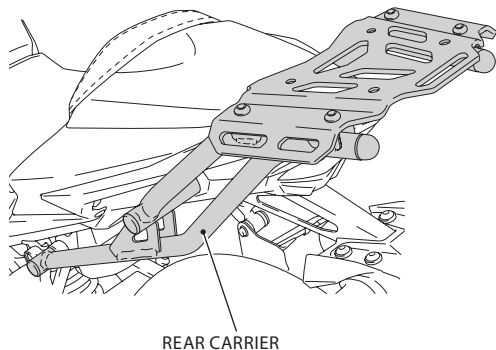
### HIGH WIND SCREEN



HIGH WIND SCREEN

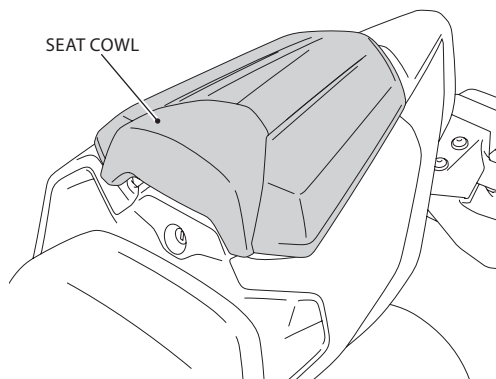
- Reduce speed when running in strong wind.
- Replace this accessory with a new one if it is damaged or discolored excessively.
- When this accessory becomes dirty, rinse it thoroughly with cool water to remove loose dirt, then wipe with a clean cloth or sponge. Do not use a brush to clean this accessory as it may scratch the surface.
- Never use organic solvents such as gasoline, thinner and benzine to clean this accessory. Also do not use acid or alkaline cleaners to clean this accessory. Wipe up spilled brake or battery fluid at once as they may damage the surface.
- If the motorcycle is left covered for an extended period of time, park in the shade. Parking a covered motorcycle in direct sunlight can cause the wind screen to deform due to heat buildup under the cover.
- Handle this accessory with care. It can be damaged when it is bent excessively or is subject to strong shock or impact.
- Select a firm, level surface when you park the motorcycle. Also bear in mind that strong wind can cause the motorcycle to topple to the ground.

### REAR CARRIER



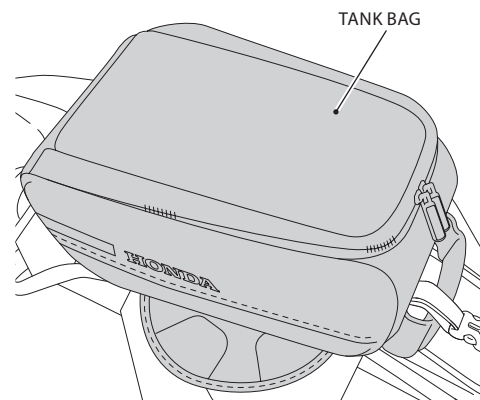
- The weight of the cargo must not exceed the following maximum load capacity: 5.0 kg (11.0 lb)
- When this accessory becomes dirty, rinse it thoroughly with cool water to remove loose dirt, then wipe with a clean cloth or sponge. Do not use a brush to clean this accessory as it may scratch the surface.
- Never use organic solvents such as gasoline, thinner and benzene to clean this accessory. Also do not use acid or alkaline cleaners to clean this accessory. Wipe up spilled brake or battery fluid at once as they may damage the surface.

### SEAT COWL



- Do not allow passengers to ride on the seat cowl.
- Do not attach luggage to the seat cowl.
- When this accessory becomes dirty, rinse it thoroughly with cool water to remove loose dirt, then wipe with a clean cloth or sponge. Do not use a brush to clean this accessory as it may scratch the surface.
- Never use organic solvents such as gasoline, thinner and benzene to clean this accessory. Also do not use acid or alkaline cleaners to clean this accessory. Wipe up spilled brake or battery fluid at once as they may damage the surface.

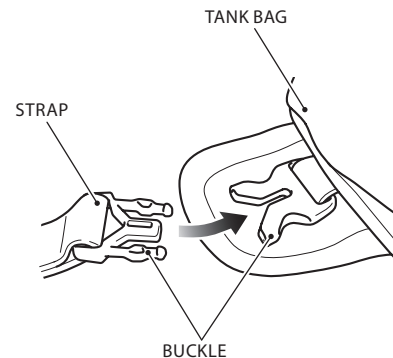
### TANK BAG



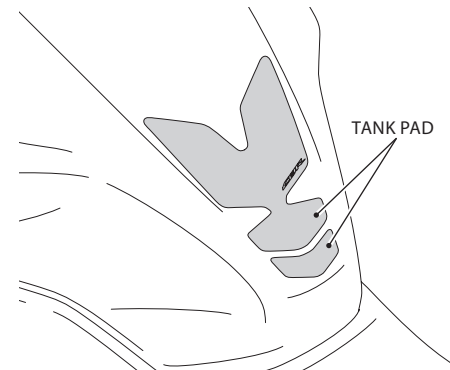
- The weight of the cargo must not exceed the following maximum weight capacity: 1.0 kg (2.2 lb)
- Be sure that the tank bag is installed securely before riding.
- Before riding, close the tank bag.
- The tank bag is not perfectly watertight, and water may enter when it rains, etc.
- Do not store valuables or fragile articles in the tank bag.
- When washing the motorcycle and when leaving the motorcycle, remove the tank bag.
- Before installation, remove all dust, sand, etc. from fuel tank and tank bag, as otherwise the fuel tank may be damaged.
- Never use organic solvents such as gasoline, thinner and benzene to clean this accessory. Also do not use acid or alkaline cleaners to clean this accessory. Wipe up spilled brake or battery fluid at once as they may damage the surface.

### HOW TO INSTALL THE TANK BAG

1. Lock the buckle as shown.
  - Repeat on the right side.



### TANK PAD

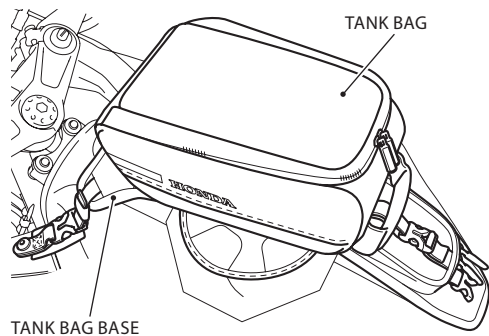
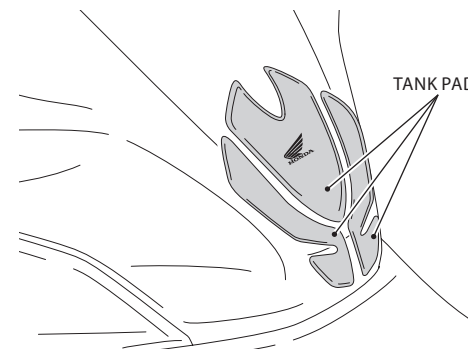


- When this accessory becomes dirty, rinse it thoroughly with cool water to remove loose dirt, then wipe with a clean cloth or sponge.

Do not use a brush to clean this accessory as it may scratch the surface.

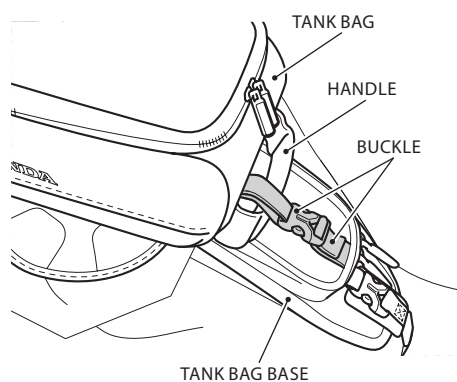
- Never use organic solvents such as gasoline, thinner and benzene to clean this accessory. Also do not use acid or alkaline cleaners to clean this accessory.

Wipe up spilled brake or battery fluid at once as they may damage the surface.



2. Install the tank bag as shown.

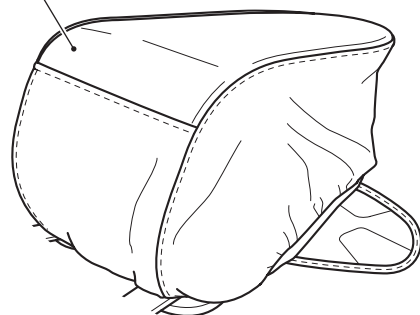
TANK BAG BASE



3. Disengage the buckles once and secure the handle of the tank bag as shown.

TANK BAG BASE

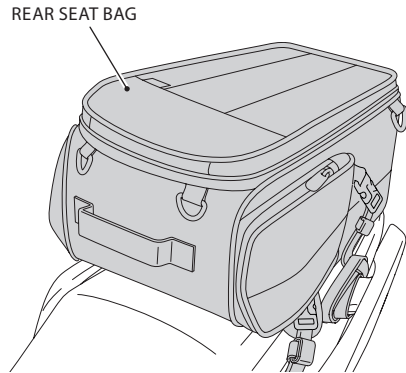
### RAIN COVER



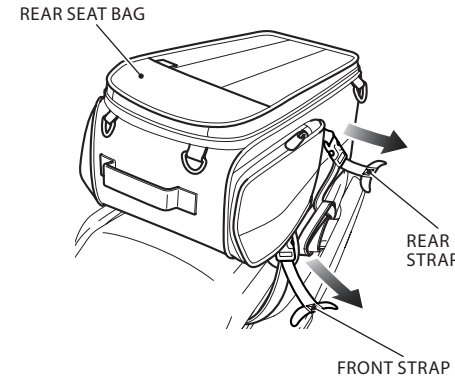
### HOW TO USE THE RAIN COVER

1. Put the rain cover on the tank bag as shown.

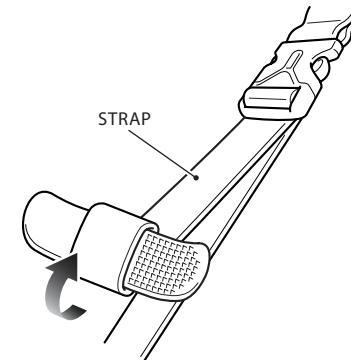
### REAR SEAT BAG



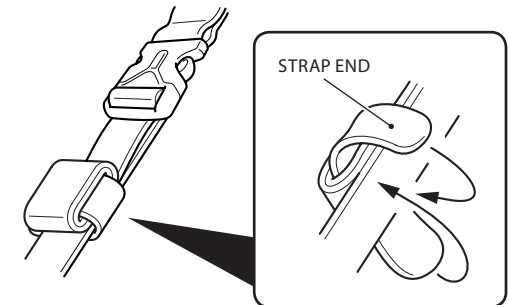
- The weight of the cargo must not exceed the following maximum weight capacity: 8.8 lb (4.0 kg)
- Be sure that the rear seat bag is installed securely before riding.
- Before riding, close the rear seat bag.
- The rear seat bag is not perfectly watertight, and water may enter when it rains, etc.
- Do not store valuables or fragile articles in the rear seat bag.
- To prevent burns, allow the engine, exhaust system, radiator, etc., to cool before installing and removing the accessory.
- When washing the motorcycle and when leaving the motorcycle, remove the rear seat bag.
- Do not let anybody ride on the rear seat bag and do not place luggage onto it.
- Never use organic solvents such as gasoline, thinner and benzine to clean this accessory. Also do not use acid or alkaline cleaners to clean this accessory. Wipe up spilled brake or battery fluid at once as they may damage the surface.



2. Tighten the straps while adjusting the balance between the right and left sides of the rear seat bag as shown.
  - Repeat on the right side.
  - Secure well by pulling the straps tight.

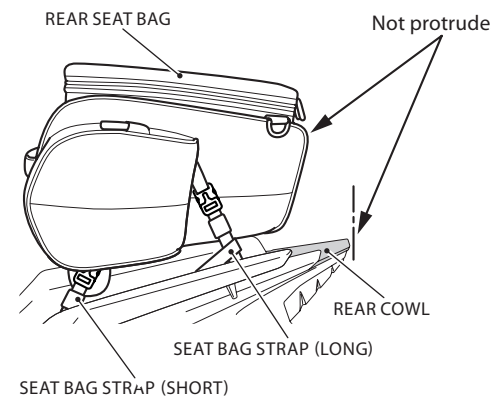
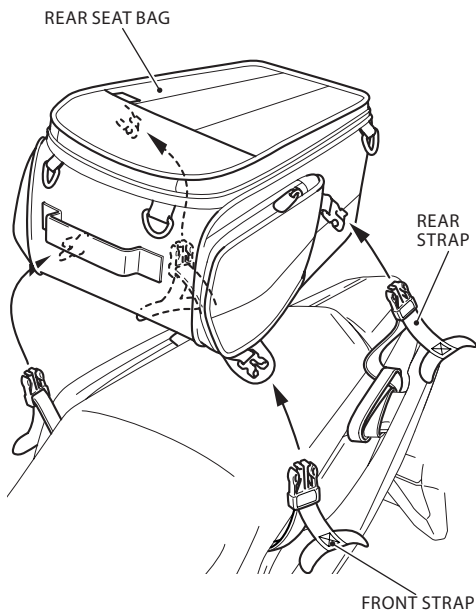


3. Wind the strap as shown.
4. Secure the strap end as shown.

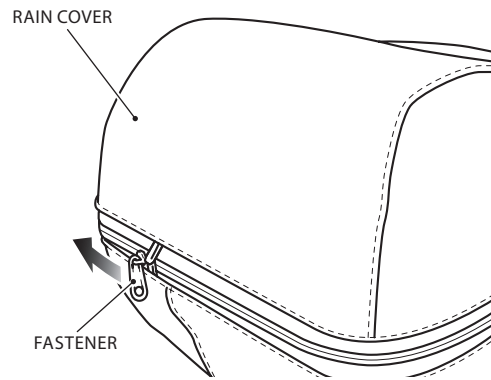


### HOW TO INSTALL THE REAR SEAT BAG

1. Install the rear seat bag as shown.

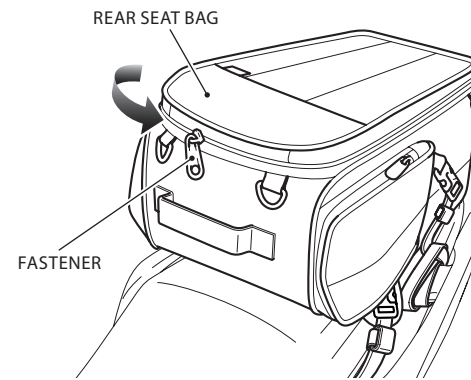


5. Secure the other straps in the same manner.
6. Make sure that the rear seat bag does not protrude to the rear of the tail light as shown.
  - If the rear seat bag protrudes, adjust the tensions of front strap and rear strap.



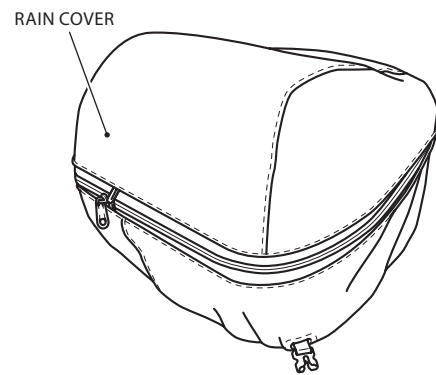
### HOW TO USE THE RAIN COVER

1. Open the fastener as shown.
  - Perform this step on extended the rear seat bag.

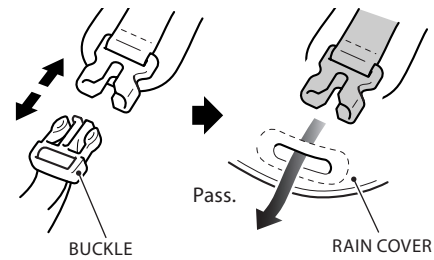


### HOW TO USE THE EXTENDED REAR SEAT BAG

1. Open the fastener as shown.



2. Temporarily release the buckles and pass them through the rain cover holes as shown.



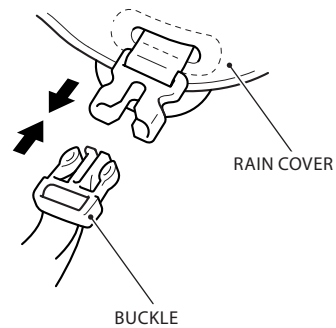
3. Cover the rain cover as shown.



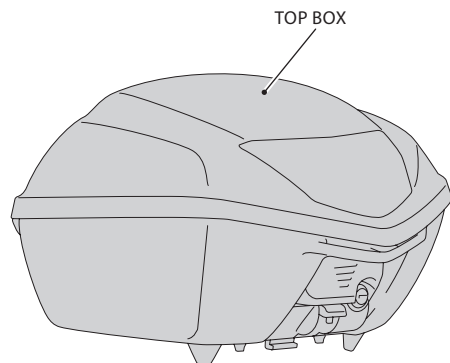
2. Pull up the rear seat bag as shown.

Firmly pull to secure the belts.

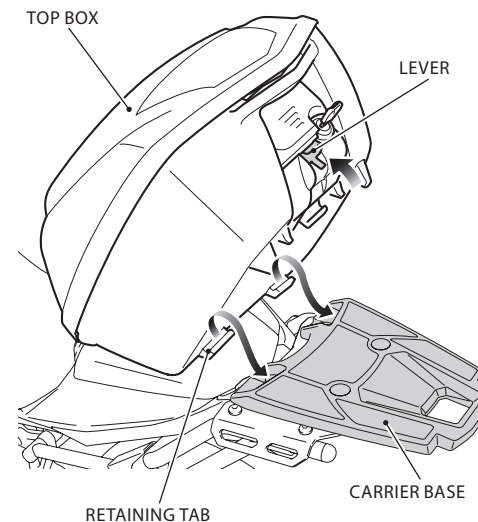
4. Lock the buckles as shown.



TOP BOX

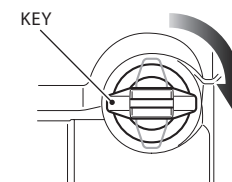


- The weight of the cargo must not exceed the following maximum weight capacity: 3.0 kg (6.6 lb)
  - Be sure that the top box is installed securely before riding.
  - Before riding, confirm that lid is closed.
  - The top box is not perfectly watertight, and water may enter when washing the motorcycle, when it rains, etc.
  - To prevent burns, allow the engine, exhaust system, radiator, etc., to cool before installing and removing the accessory.
  - Do not store valuables or fragile articles in the top box.
  - Don't place a heavy object on the opened lid or apply an excessive force from the top of opened lid.
  - Open and close the lid gently.
  - If the top box gets dirty, slightly push and clean it with a sponge or a shop towel moistened with a neutral detergent, remove the detergent with clean water, and then wipe them dry with a clean sponge or shop towel.
  - Never use organic solvents such as gasoline, thinner and benzine to clean this accessory. Also do not use acid or alkaline cleaners to clean this accessory.
- Wipe up spilled brake or battery fluid at once as they may damage the surface.

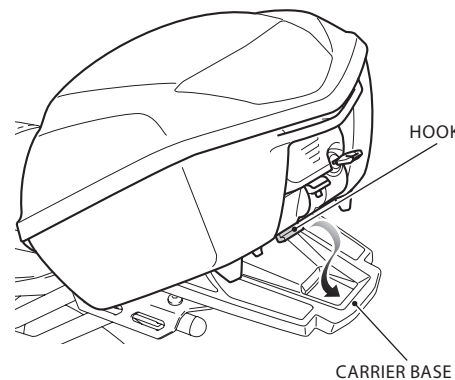


HOW TO INSTALL THE TOP BOX

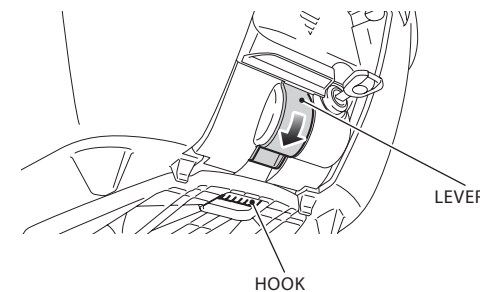
1. Insert the key as shown and release the lock by turning the key clockwise.

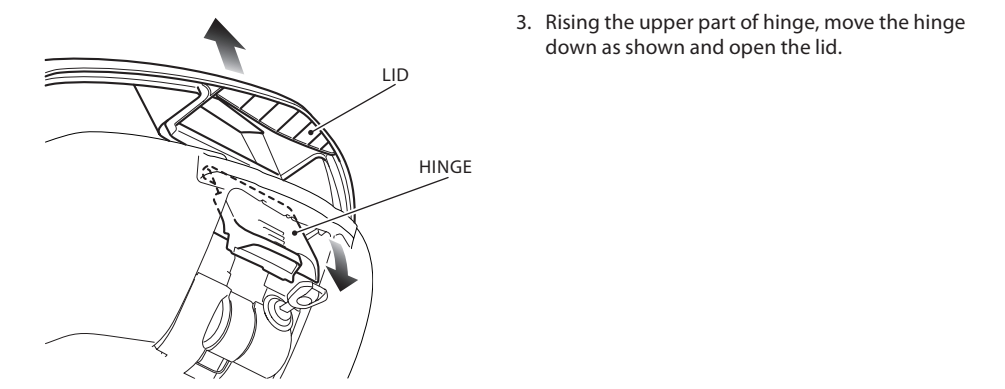
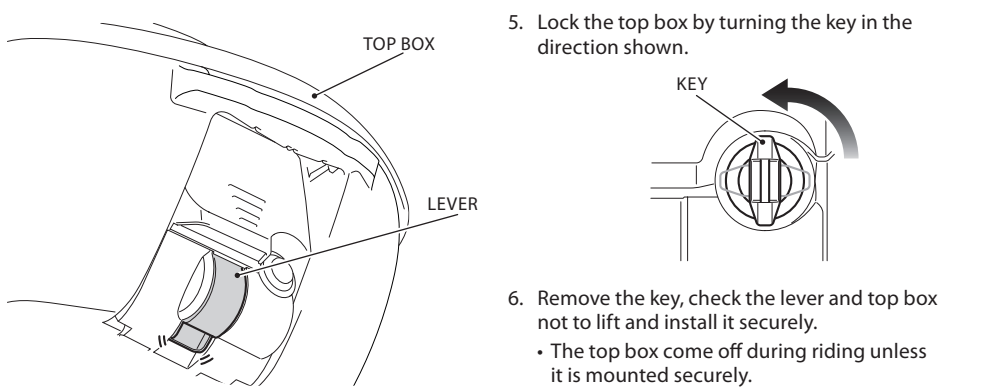


2. Install the retaining tabs of top box into the carrier base with the lever in the raised position as shown.



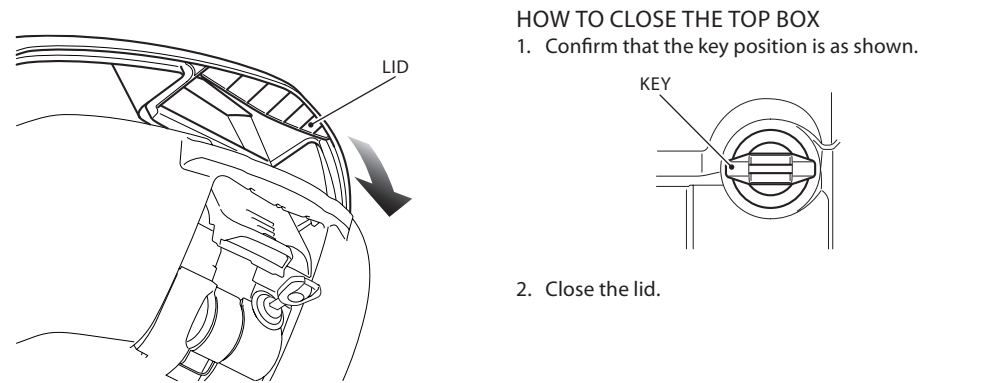
3. Position the hook with the hole of the carrier base as shown.
4. Secure the hook by pressing the lever down.





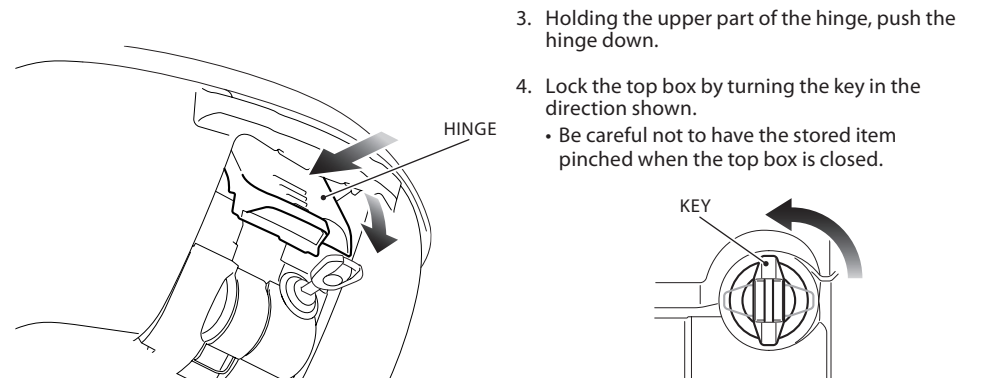
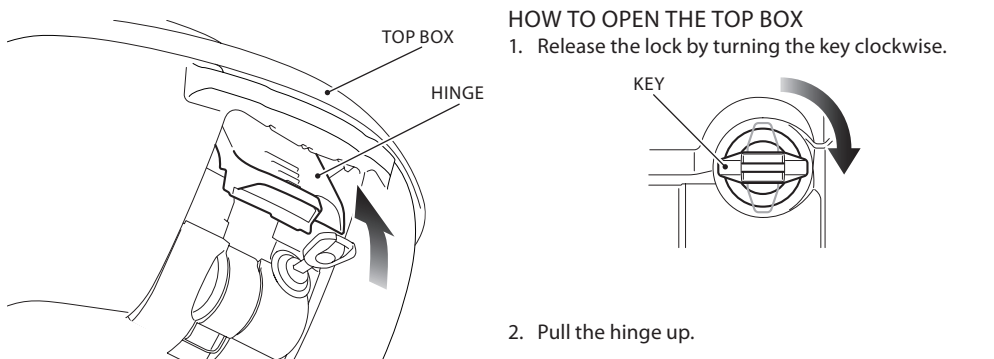
### HOW TO REMOVE THE TOP BOX

1. Remove the top box in the reverse order of installation.



### HOW TO OPEN THE TOP BOX

1. Release the lock by turning the key clockwise.



MEMO

- 
5. Remove the key.
    - Make sure the lid is locked down securely.

---

**HOW TO STORE THE TOP BOX INNER BAG**

1. Open the top box and store the top box inner bag.
2. Close the top box.
  - Be careful not to have the stored item pinched when the top box is closed.

### SAFETY INFORMATION

The following sentences show the label meaning.  
Some labels warn you of potential hazards that could cause serious injury.  
Others provide important safety information.  
Read this information carefully and don't remove the label.

If a label comes off or becomes hard to read, contact your Honda dealer for a replacement.

There is a specific symbol on each label. The meanings of each symbol and label are as follows.



Read the use and care information in installation instructions or genuine accessory user's guide carefully.  
Read the LOAD LIMITS AND GUIDELINES, and TYRES sections in owner's manual.



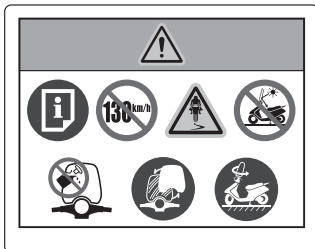
**DANGER** (with RED background)  
You WILL be KILLED or SERIOUSLY HURT if you don't follow instructions.  
**WARNING** (with ORANGE background)  
You CAN be KILLED or SERIOUSLY HURT if you don't follow instructions.  
**CAUTION** (with YELLOW background)  
You CAN be HURT if you don't follow instructions.

Refer to this information for the meanings of the symbols shown on the accessory.

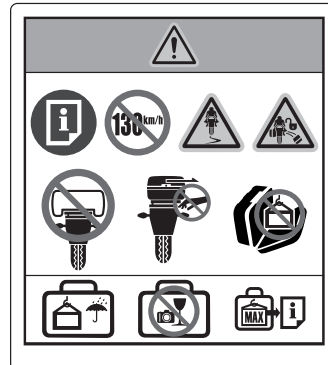
#### CARRIER WARNING LABEL



#### SCREEN WARNING LABEL



#### TOP BOX & PANNIER WARNING LABEL



Never ride a motorcycle equipped with accessories and a cargo at speeds above 130 km/h (80 mph).



Added accessories and cargo can reduce a motorcycle's stability, performance and safe riding speed. A motorcycle's stability is influenced by an improper loading, worn or under-inflated tyres, the overall motorcycle condition and environmental conditions.



When driving with the motorcycle, all locks of all bags must be securely locked.  
Panniers or top box may fall off if not locked properly to the carrier or stay.  
Check for secure locking before riding.



When the carrier base is used as a rear carrier without mounting the top box, load the cargo on the carrier base in such a manner that the ability of the carrier base to slide is not impaired.



Do not insert your fingers or your hand into the bracket installation part at the bottom of the top box. Your fingers may get caught between top box and bracket.



Heavy cargo placed on the opened lid can damage the pannier or top box and the lid.



Entry of water is possible when the vehicle is washed etc.  
Please be careful when placing important objects into the box.  
Also be careful with breakable and valuable items. Do not leave valuable items in the bags.



Regarding the maximum loading capacity.  
Read the use and care information carefully in each of the accessory installation instructions or genuine accessory user's guide.



Do not park the motorcycle with the sun shining on the backside of the unit; the reflection may damage the motorcycle parts.



Never use organic solvents such as gasoline, thinner and benzene to clean this accessory. Also do not use acid or alkaline cleaners to clean.



Replace the windshield if clear vision is obstructed.



Select a firm, level surface when you park the motorcycle.