

USB (TYPE-C)

Accessory Name	Parts Number	Application Model	Issue Date	Publication No.	FRT
USB (TYPE-C)	08E72-MKR-D10	CBR1000SP	2024.5	MII	0.4 H
USB (TYPE-C) ATTACHMENT	08E70-MKR-DH0				

Introduction

ALL INFORMATION, ILLUSTRATIONS, DIRECTIONS AND SPECIFICATIONS INCLUDED IN THIS PUBLICATION ARE BASED ON THE LATEST PRODUCT INFORMATION AVAILABLE AT THE TIME OF APPROVAL FOR PRINTING. Honda Motor Co., Ltd. RESERVES THE RIGHT TO MAKE CHANGES AT ANY TIME WITHOUT NOTICE AND WITHOUT INCURRING ANY OBLIGATION WHATSOEVER. NO PART OF THIS PUBLICATION MAY BE REPRODUCED WITHOUT WRITTEN PERMISSION. THIS MANUAL IS WRITTEN FOR PERSONS WHO HAVE ACQUIRED BASIC KNOWLEDGE OF MAINTENANCE ON Honda MOTORCYCLES, MOTOR SCOOTERS OR ATVS.

Honda Dealer:







Please give a copy of these instructions to your customer.

Customer:

Because it requires specialized knowledge and special tools and equipment, it is recommended to install it at a dealer with qualified automobile maintenance.

How To Read These Symbols

Your safety, and the safety of others, is very important. To help you make informed decisions we have provided safety messages and other information throughout this manual.

-  **WARNING** You CAN be KILLED or SERIOUSLY HURT if you don't follow instructions.
-  **CAUTION** You CAN be HURT if you don't follow instructions.
-  **NOTICE** The purpose of this message is to help prevent damage to your vehicle, other property, or the environment.
-  **NOTE** Things you want to know, things that are useful to know.
-  Follow the instructions of the Service Manual.
-  Follow the other symbol instructions of the "Installation Instructions BASIC".

Instruction Other Symbols

The symbols used throughout this instructions show specific service procedures. Refer to "Installation Instructions BASIC" for description of each symbol.

INFORMATION

CAUTION

- To prevent burns, allow the engine, exhaust system, radiator, etc., to cool before installing the accessory.

NOTICE

- *Take care not to damage the painted surfaces of the motorcycle.*

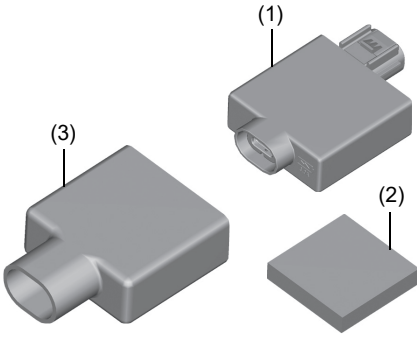
NOTE:

- Heat the bonding surfaces with a hair dryer if the ambient air temperature is below 21°C (70°F).
- The adhesive reaches full strength in 72 hours. Wait at least 24 hours before riding your motorcycle.
- Reinstall the removed parts on the motorcycle and make sure that wires and harnesses are not pinched.
- Disconnect the negative (-) cable from the battery before installing this accessory.
- After reconnecting the battery, refer to the motorcycle Owner's Manual and set the meter.
- After this accessory installation, check the lights (e.g. right/left turn signal lights and brake lights) for proper operation.
- Save all removed parts unless otherwise indicated.

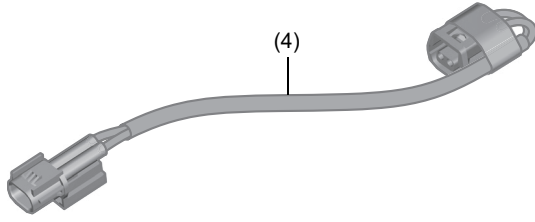
PARTS LIST

When the instruction manual and installation instructions are included in this kit, be sure to give them to the customer.

<USB (TYPE-C)>

Component	No.	Parts Name	Qty	Parts No.
	(1)	USB charger (type-C)	1	38940-MKR-D11
	(2)	Cushion (30 x 30 mm)	1	39103-MKR-D10
	(3)	Cover	1	38941-MKR-D10

<USB (TYPE-C) ATTACHMENT>

Component	No.	Parts Name	Qty	Parts No.
	(4)	USB sub harness	1	-

TORQUE INFORMATION

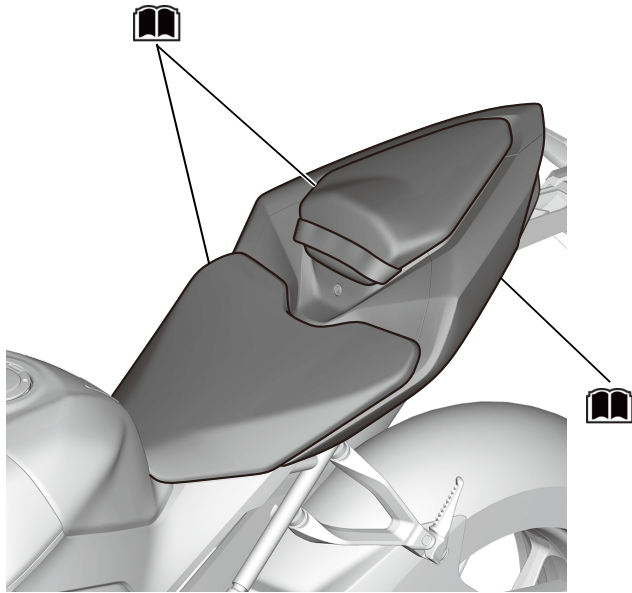
Refer to the Service Manual for the torque values including standard torque of the removed parts. (🔧)

Please Convey the Following Information to the Customer During Delivery

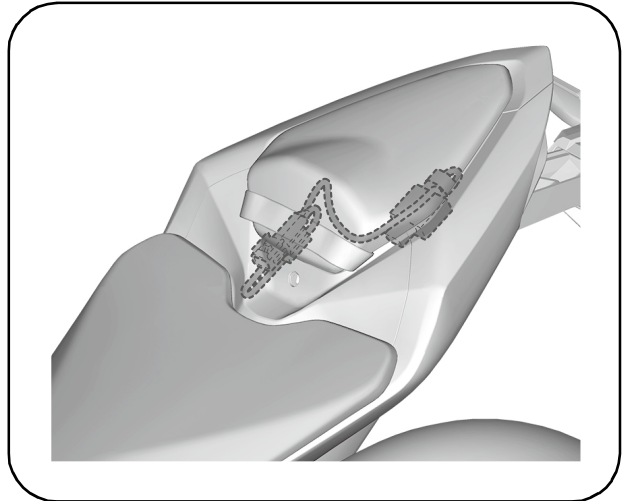
Rated current of all of the USB Attachment that is mounted on the vehicle can be used up to 5V 3A. Use that exceeds the rated current is the cause of fuse blow or dead battery.

INSTALLATION

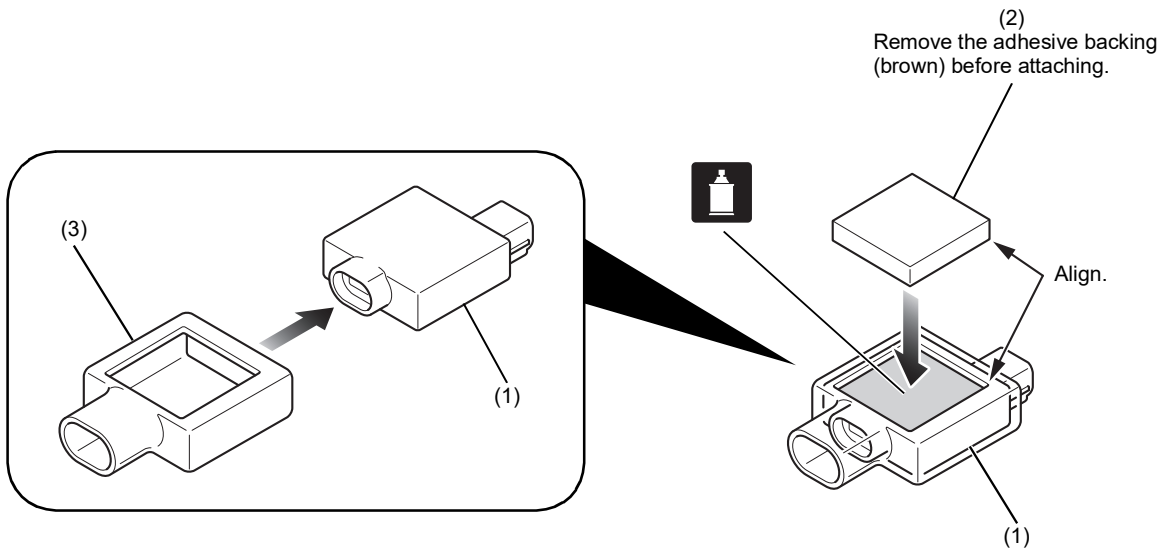
1. Refer to the Service Manual for motorcycle, remove the motorcycle parts as shown, and disconnect the negative (-) cable from the battery. (📖)



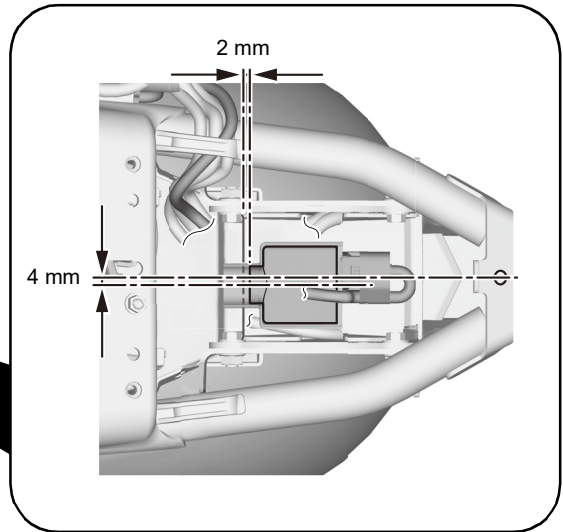
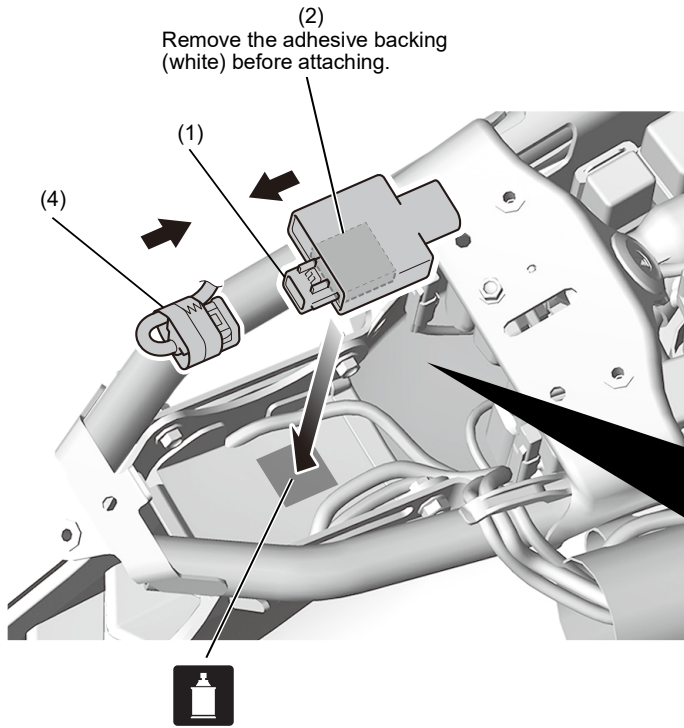
INSTALLATION IMAGE



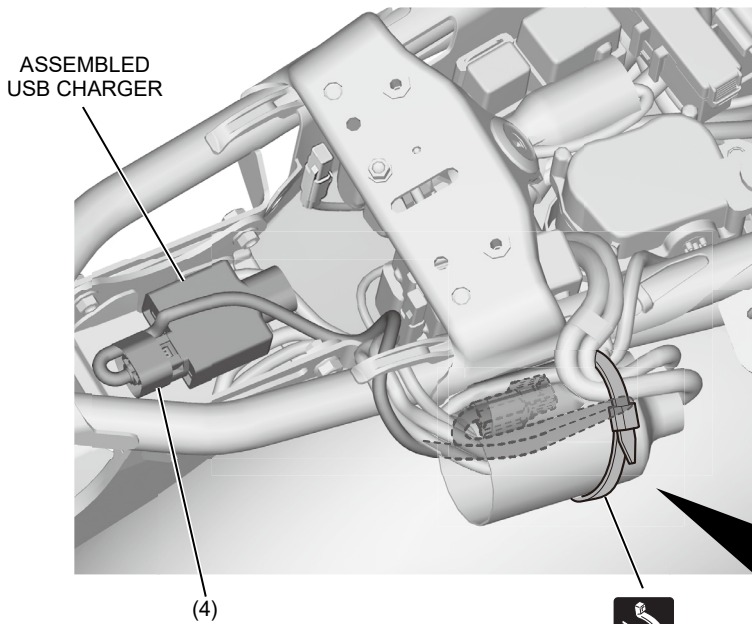
2. Install as shown.



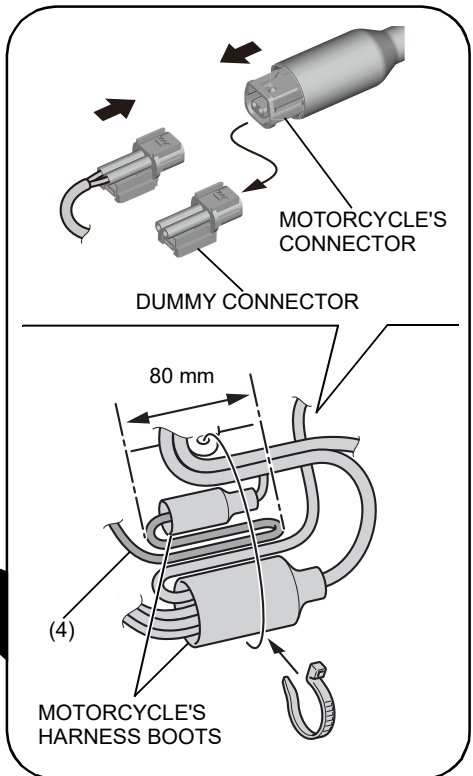
3. Install as shown.



4. Route and connect the harness as shown.



MOTORCYCLE'S WIRE TIE
Reuse.



5. Install the motorcycle's parts in the reverse order of removal.

- Confirm that any harness is not caught or too tight.