

HIGH WIND SCREEN

Accessory Name	Parts Number	Application Model	Issue Date	Publication No.	FRT
HIGH WIND SCREEN	08R70-MKN-D10	CBR650RA	2023.11	MII	0.1 H
HIGH WIND SCREEN (SMOKE)	08R71-MKN-D10				

Introduction

ALL INFORMATION, ILLUSTRATIONS, DIRECTIONS AND SPECIFICATIONS INCLUDED IN THIS PUBLICATION ARE BASED ON THE LATEST PRODUCT INFORMATION AVAILABLE AT THE TIME OF APPROVAL FOR PRINTING. Honda Motor Co., Ltd. RESERVES THE RIGHT TO MAKE CHANGES AT ANY TIME WITHOUT NOTICE AND WITHOUT INCURRING ANY OBLIGATION WHATSOEVER. NO PART OF THIS PUBLICATION MAY BE REPRODUCED WITHOUT WRITTEN PERMISSION. THIS MANUAL IS WRITTEN FOR PERSONS WHO HAVE ACQUIRED BASIC KNOWLEDGE OF MAINTENANCE ON Honda MOTORCYCLES, MOTOR SCOOTERS OR ATVS.

Honda Dealer:








Please give a copy of these instructions to your customer.

Customer:

Because it requires specialized knowledge and special tools and equipment, it is recommended to install it at a dealer with qualified automobile maintenance.

How To Read These Symbols

Your safety, and the safety of others, is very important. To help you make informed decisions we have provided safety messages and other information throughout this manual.

-  **DANGER** You WILL be KILLED or SERIOUSLY HURT if you don't follow instructions.
-  **WARNING** You CAN be KILLED or SERIOUSLY HURT if you don't follow instructions.
-  **CAUTION** You CAN be HURT if you don't follow instructions.
-  **NOTICE** The purpose of this message is to help prevent damage to your vehicle, other property, or the environment.
-  **NOTE** Things you want to know, things that are useful to know.
-  Follow the instructions of the Service Manual.
-  Follow the other symbol instructions of the "Installation Instructions BASIC".

Instruction Other Symbols

The symbols used throughout this instructions show specific service procedures. Refer to "Installation Instructions BASIC" for description of each symbol.

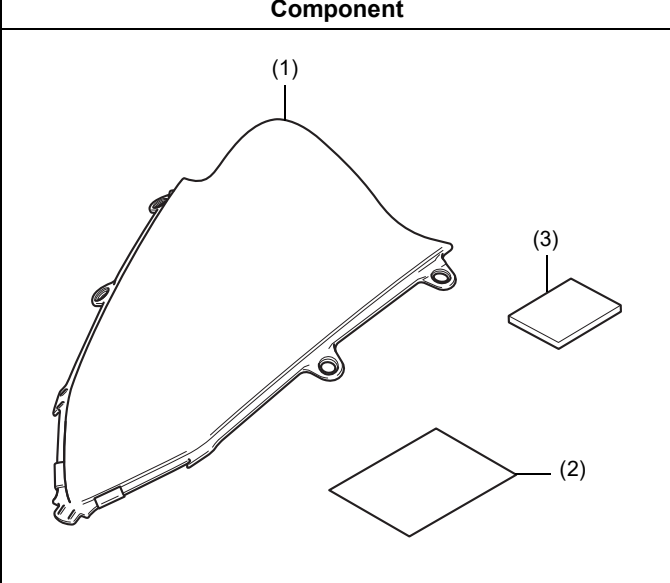
INFORMATION

NOTE:

- Heat the bonding surfaces with a hair dryer if the ambient air temperature is below 21°C (70°F).
- The adhesive reaches full strength in 72 hours. Wait at least 24 hours before riding your motorcycle.
- Take care not to damage the painted surfaces of the motorcycle.
- Reinstall the removed parts on the motorcycle and make sure that wires and harnesses are not pinched.
- After reconnecting the battery, refer to the motorcycle Owner's Manual and set the meter.
- After this accessory installation, check the lights (e.g. right/left turn signal lights and brake lights) for proper operation.
- Save all removed parts unless otherwise indicated.

PARTS LIST

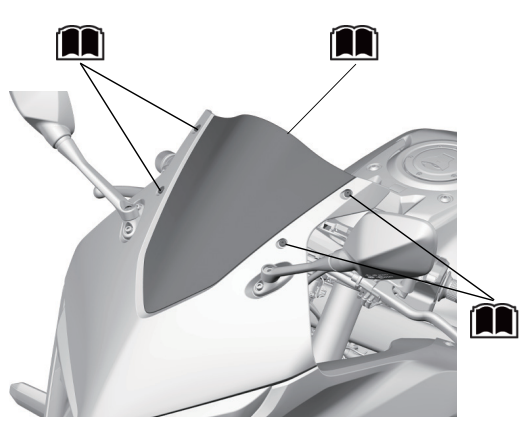
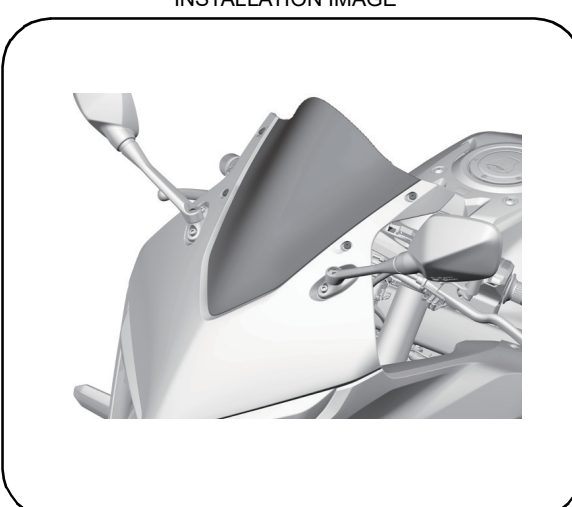
When the instruction manual and installation instructions are included in this kit, be sure to give them to the customer.

Component	No.	Parts Name	Qty	Parts No.
	(1)	High wind screen	1	-
		High wind screen (Smoke)		-
	(2)	Label	1	-
	(3)	Aluminum tape	1	-

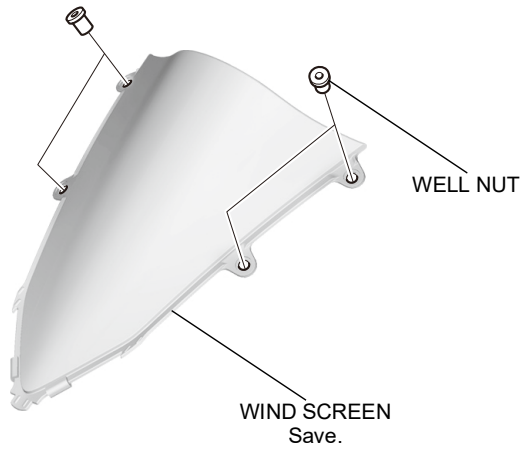
TORQUE INFORMATION

Refer to the Service Manual for the torque values of the removed parts. (📖)

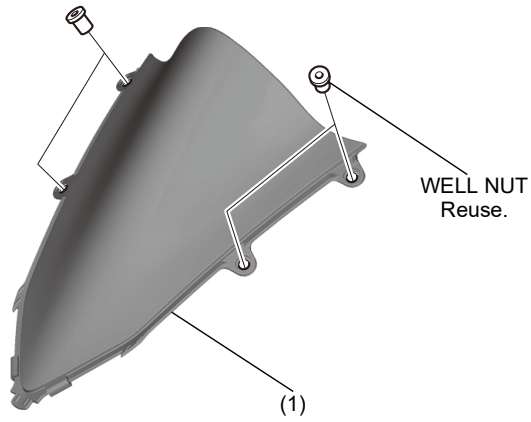
INSTALLATION

1.	Refer to the Service Manual for the motorcycle, remove the motorcycle parts as shown, and disconnect the negative (-) cable from the battery. (📖)
	
<div style="border: 1px solid black; border-radius: 15px; padding: 10px; width: fit-content; margin: 0 auto;"> <p style="text-align: center; margin: 0;">INSTALLATION IMAGE</p>  </div>	

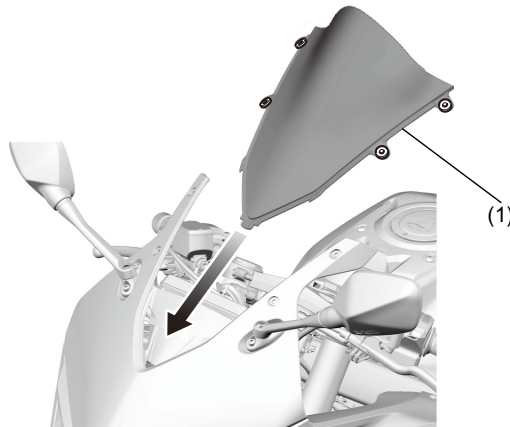
2. Remove the well nuts as shown.



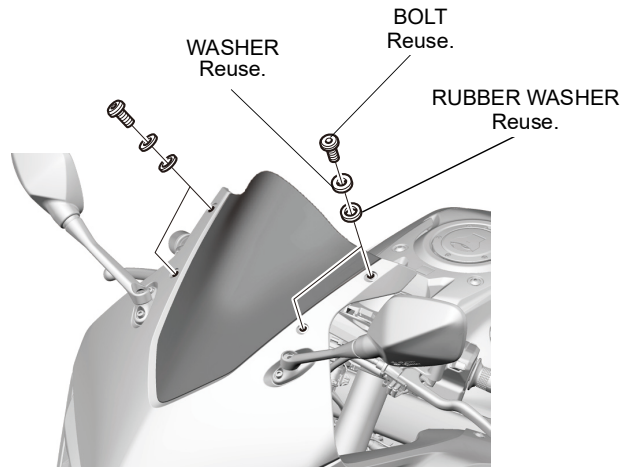
3. Install as shown.



4. Install as shown.



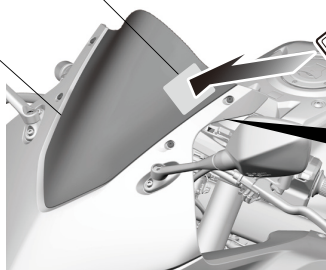
5. Install as shown.



6. Install as shown.

SYNTHETIC DETERGENT SOLUTION
Thoroughly clean the area where the label will be attached.

(1)



(2) Remove the adhesive backing.

