



INSTALLATION INSTRUCTIONS

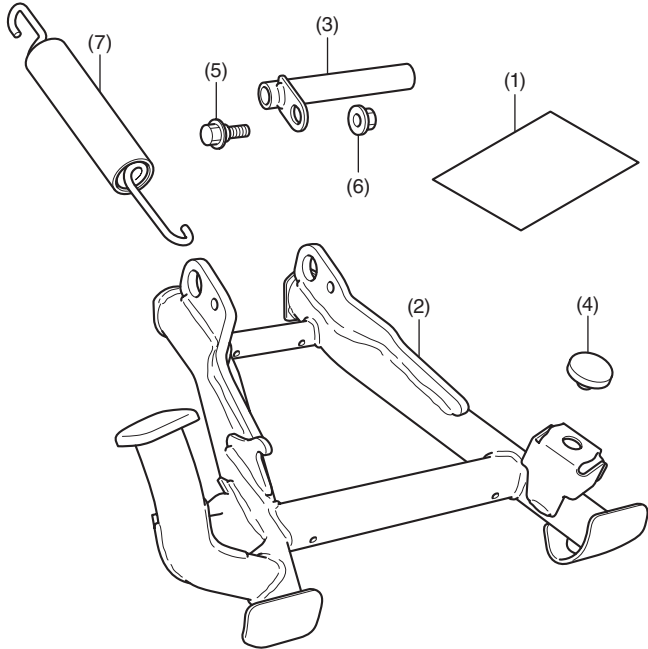
Accessory
MAIN STAND
P/N 08M70-MKP-J40

Application
CB500FA

Publication No.
MII
Issue Date
September 2018

Honda Dealer: Please give a copy of these instructions to your customer.

PARTS LIST



No.	Description	Qty
(1)	URL paper	1
(2)	Main stand	1
(3)	Main stand pivot pipe	1
(4)	Rubber	1
(5)	6 mm bolt	1
(6)	6 mm flange nut	1
(7)	Spring	1

TOOLS AND SUPPLIES REQUIRED

- Socket (10 mm)
- Ratchet
- Open-end wrench (10 mm)
- Spring tool (KL-9-C141)
- Grease
- Synthetic detergent solution
(Water : Synthetic detergent / 100 : 1)
- Shop towel
- Torque wrench

TORQUE CHART

Tighten all screws, bolts, and nuts to their specified torque values. Refer to the Service Manual for the torque values of the removed parts.

Item	N·m	kgf·m	lbf·ft
6 mm bolt	12	1.2	9

INSTALLATION

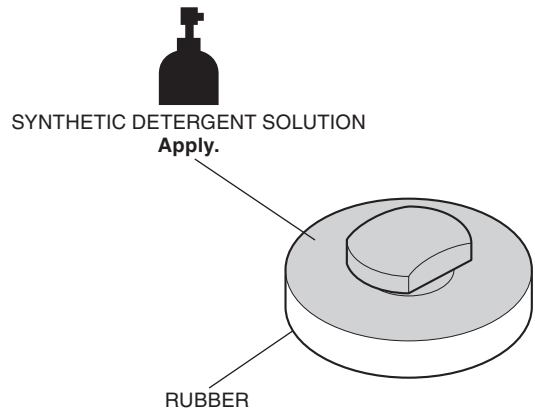
▲ CAUTION

- To prevent burns, allow the engine, exhaust system, radiator, etc., to cool before installing the accessory.

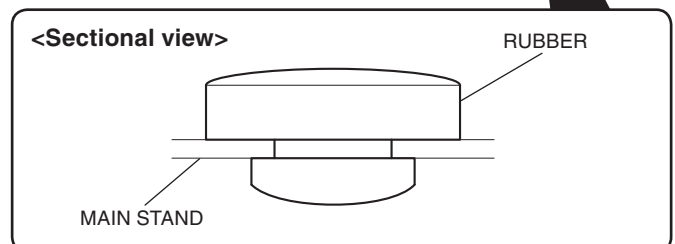
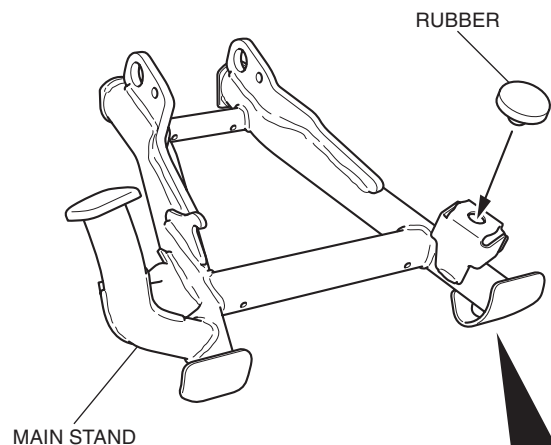
NOTE:

- Be extremely careful when installing the springs as the combined tension of the springs is very strong.
- Keep the motorcycle on its side stand when installing the main stand.
- The spring installation shall be performed by two persons. While one person holds the motorcycle, another person installs the spring.

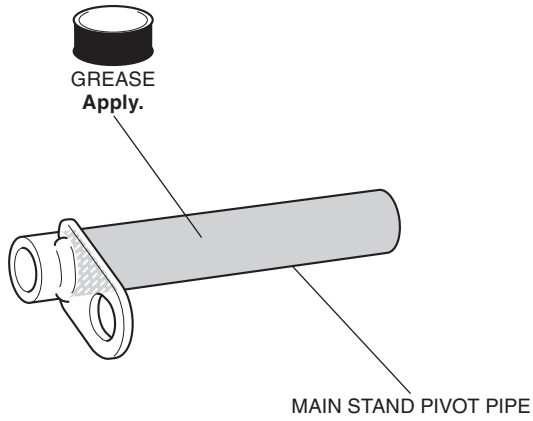
- Apply synthetic detergent solution to the rubber in the area shown.



- Install the rubber in the position shown.

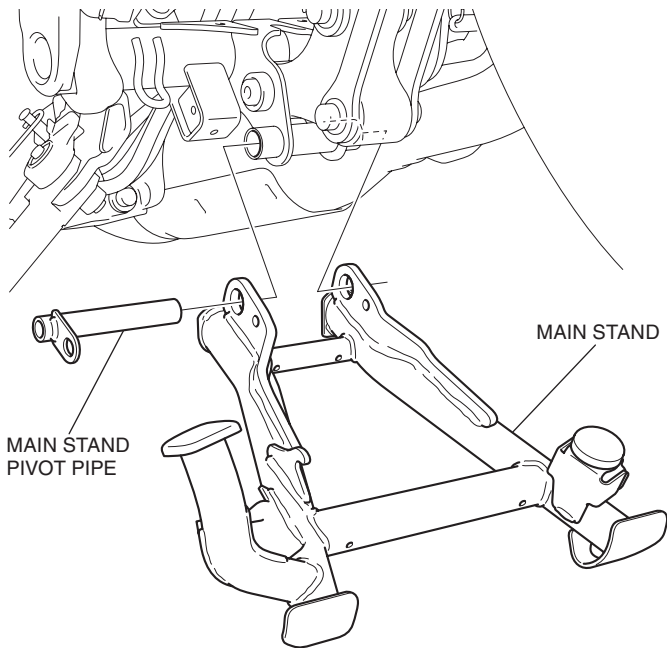


3. Apply grease to the position shown.

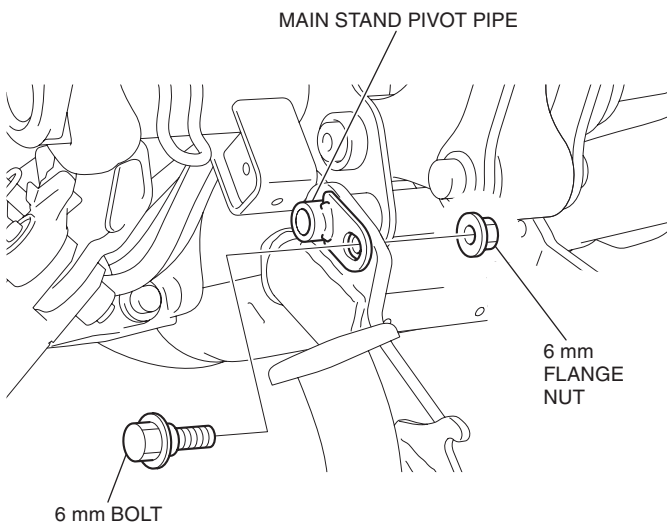


4. Install the main stand as shown.

<Left side>



5. Install the 6 mm bolt as shown.



6. Install the spring as shown.

- The spring installation shall be performed by two persons. While one person holds the motorcycle, another person installs the spring.
- First install to the upper side spring hook, then install the spring on the main stand.

