

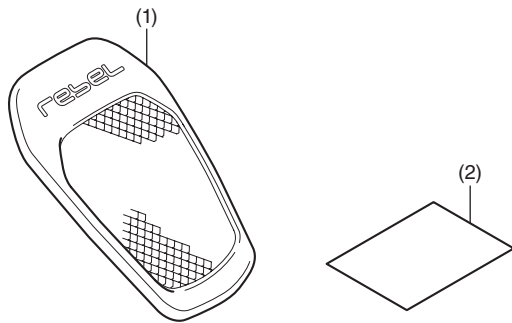


INSTALLATION INSTRUCTIONS

Accessory	Application	Publication No.
CENTER TANK PAD P/N 08P70-K87-A30	CMX300/A CMX500/A	MII
		Issue Date
		December 2019

Honda Dealer: Please give a copy of these instructions to your customer.

PARTS LIST



No.	Description	Qty
(1)	Center tank pad	1
(2)	URL paper	1

SUPPLIES REQUIRED

- Isopropyl alcohol
- Shop towel

INSTALLATION

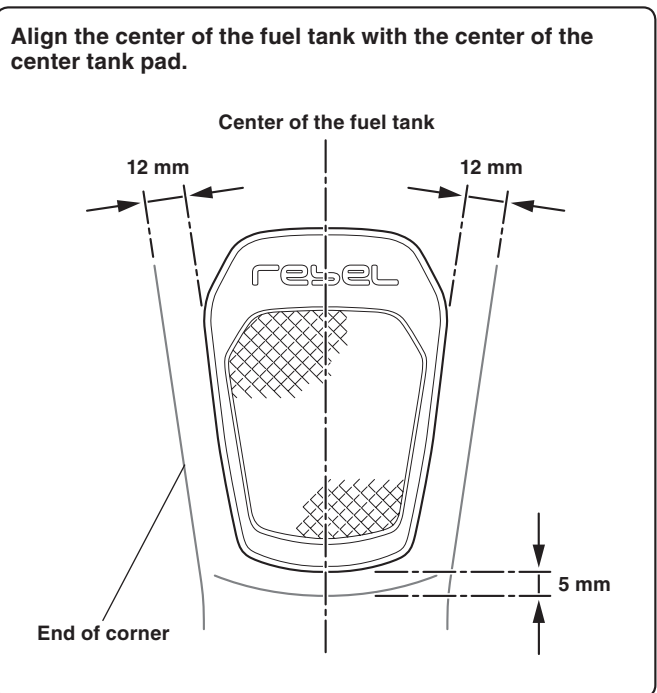
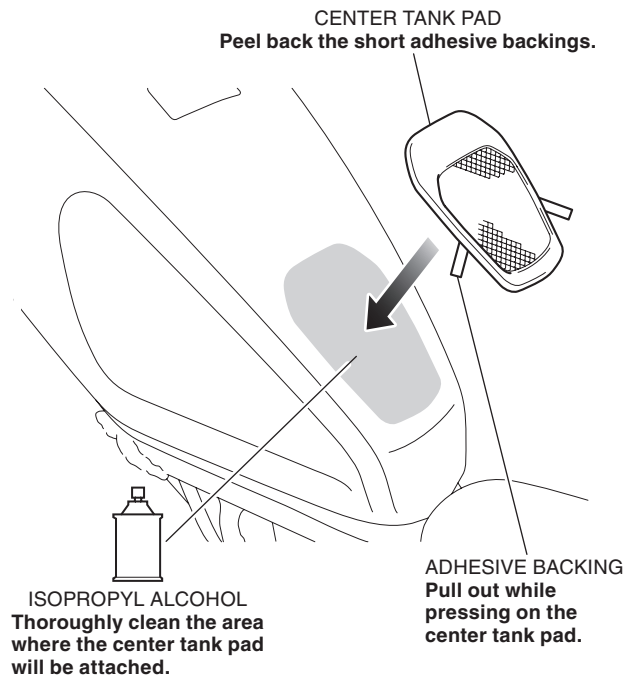
CAUTION

- To prevent burns, allow the engine, exhaust system, radiator, etc. to cool before installing the accessory.

NOTE:

- Heat the bonding surfaces with a hair dryer if the ambient air temperature is below 21°C (70°F).
- The adhesive reaches full strength in 72 hours. Wait at least 24 hours before riding your motorcycle.

- Attach the center tank pad as shown.
 - Peel back an end of the long adhesive backings on the back of the center tank pad.



- Apply adequate pressure to the attached center tank pad.