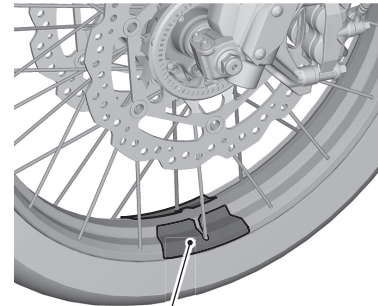


### COMMON

- Added accessories can affect a motorcycle's stability, performance and safe riding speed.

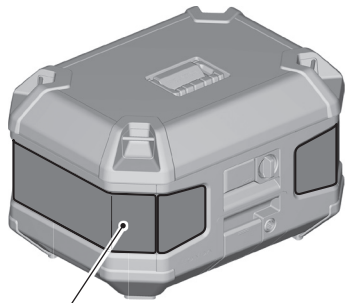
### WHEEL STRIPE



WHEEL STRIPE

- Check the accessory mounts.
- Clean this accessory with a soft cloth soaked with a solution of mild detergent and water. Then wipe with a clean cloth soaked with water to clean dirt and detergent. Finally wipe dry with a soft, clean cloth.
- Do not wash the motorcycle with a high-pressure washer, as this may peel off the wheel stripes.

### TOP BOX STRIPE

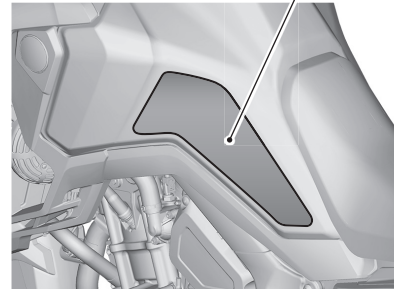


TOP BOX STRIPE

- Check the accessory mounts.
- Clean this accessory with a soft cloth soaked with a solution of mild detergent and water. Then wipe with a clean cloth soaked with water to clean dirt and detergent. Finally wipe dry with a soft, clean cloth.
- Do not wash the motorcycle with a high-pressure washer, as this may peel off the top box stripes.

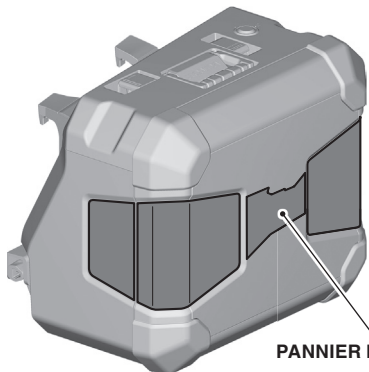
### TANK SIDE STICKER

TANK SIDE STICKER  
(FOR CRF1100A/D/A3/D3)



- Check the accessory mounts.
- Clean this accessory with a soft cloth soaked with a solution of mild detergent and water. Then wipe with a clean cloth soaked with water to clean dirt and detergent. Finally wipe dry with a soft, clean cloth.
- Do not wash the motorcycle with a high-pressure washer, as this may peel off the tank side sticker.

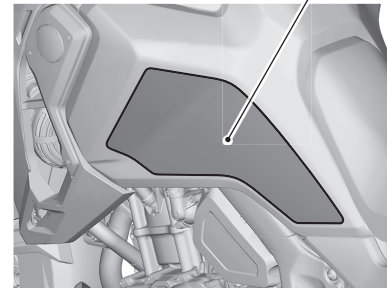
### PANNIER BOX STRIPE



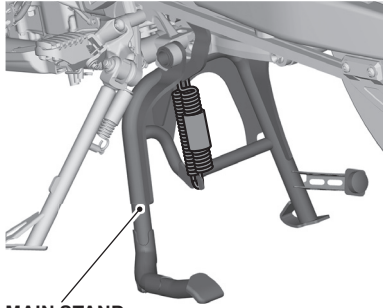
PANNIER BOX STRIPE

- Check the accessory mounts.
- Clean this accessory with a soft cloth soaked with a solution of mild detergent and water. Then wipe with a clean cloth soaked with water to clean dirt and detergent. Finally wipe dry with a soft, clean cloth.
- Do not wash the motorcycle with a high-pressure washer, as this may peel off the pannier box stripes.

TANK SIDE STICKER  
(FOR CRF1100A4/D4/AL4/DL4)



### MAIN STAND

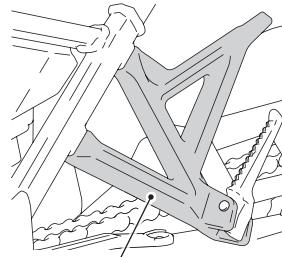


MAIN STAND

- Check the accessory mounts.
- Before starting your motorcycle, check that the side stand and the main stand are fully retracted.
- Always choose a flat ground when setting the main stand.
- Always use the parking brake when parking the CRF1100D/D3/D4/DL4 and using the main stand.

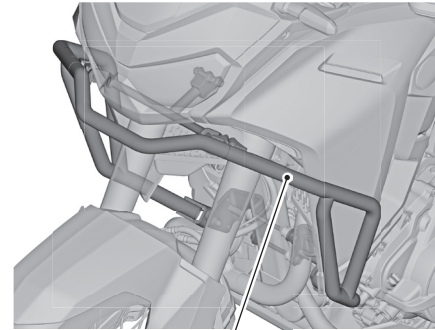
#### HOW TO USE THE MAIN STAND

1. Park safely on a level ground and stop the engine.
2. Setting the main stand.
  - Let down the main stand, stand on the left side of the motorcycle. Hold the left handle grip and the rear carrier or the pillion step holder. Press down on the tip of the stand with your right foot and, simultaneously, pull up and back.

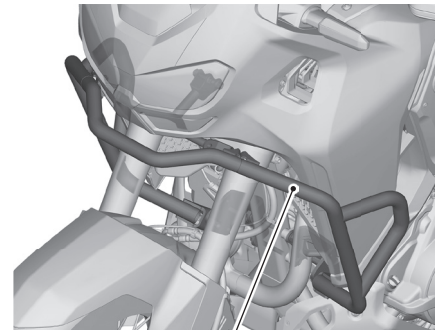


PILLION STEP HOLDER

### FRONT SIDE PIPE



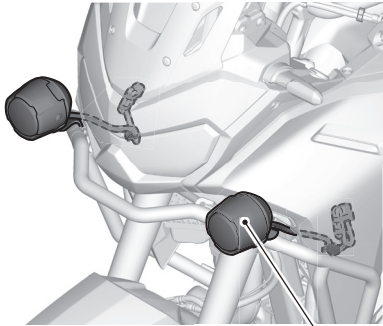
FRONT SIDE PIPE  
(FOR CRF1100A/D/A3/D3)



FRONT SIDE PIPE  
(FOR CRF1100A4/D4/AL4/DL4)

- Do not attempt to move the motorcycle with holding front side pipe and also to apply extra pressure on them. It may damage the motorcycle and front side pipe.
- Check the accessory mounts frequently and retighten if necessary.
- Clean this accessory with a soft cloth soaked with a solution of mild detergent and water. Then wipe with a clean cloth soaked with water to clean dirt and detergent. Finally wipe dry with a soft, clean cloth.

### FOGLIGHT



FOGLIGHT  
(FOR CRF1100A/D/A3/D3)

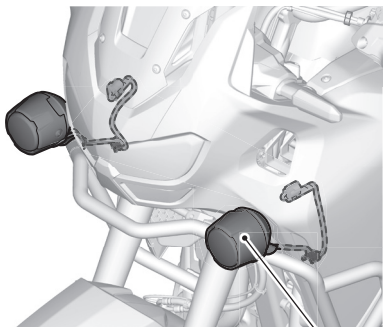
- Check the accessory mounts frequently and retighten if necessary.
- Clean this accessory with a soft cloth soaked with a solution of mild detergent and water. Then wipe with a clean cloth soaked with water to clean dirt and detergent. Finally wipe dry with a soft, clean cloth.

#### HOW TO USE THE FOGLIGHT

1. Turn the ignition switch to ON.
2. Select the FOG of pop-up information using the Fn switch.



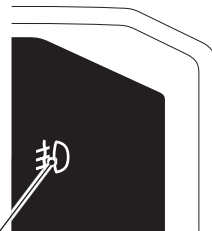
3. Push forward or pull backward the Fn lever to select the "ON" of the FOG.



FOGLIGHT  
(FOR CRF1100A4/D4)

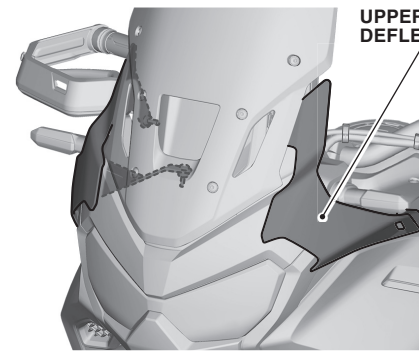
#### FOGLIGHT INDICATOR

- Comes on when the "ON" of FOG.



FOGLIGHT INDICATOR

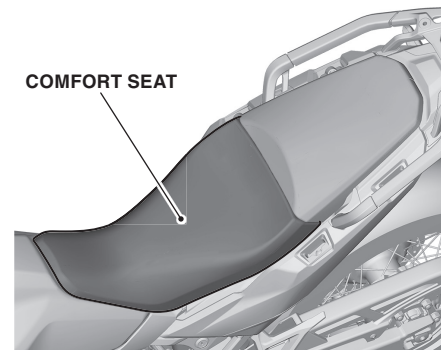
### UPPER DEFLECTOR



UPPER  
DEFLECTOR

- Check the accessory mounts frequently.
- Clean this accessory with a soft cloth soaked with a solution of mild detergent and water. Then wipe with a clean cloth soaked with water to clean dirt and detergent. Finally wipe dry with a soft, clean cloth.
- Handle this accessory with care. It can be damaged when it is bent excessively or is subject to strong shock or impact.

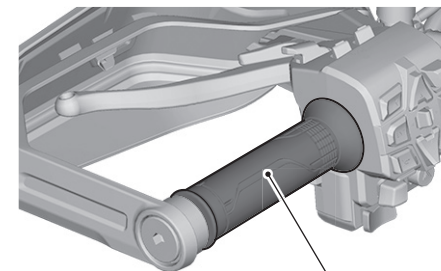
### COMFORT SEAT



COMFORT SEAT

- Check the accessory mounts frequently.
- Clean this accessory with a soft cloth soaked with a solution of mild detergent and water. Then wipe with a clean cloth soaked with water to clean dirt and detergent. Finally wipe dry with a soft, clean cloth.

### GRIP HEATER



GRIP HEATER

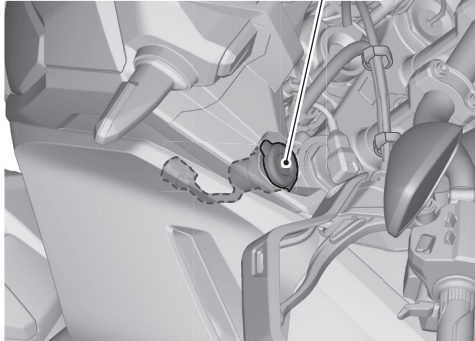
- Check the accessory mounts frequently.
- Clean this accessory with a soft cloth soaked with a solution of mild detergent and water. Then wipe with a clean cloth soaked with water to clean dirt and detergent. Finally wipe dry with a soft, clean cloth.

#### HOW TO USE THE GRIP HEATER

- For operating instruction, see the Owner's Manual.

### ACCESSORY SOCKET

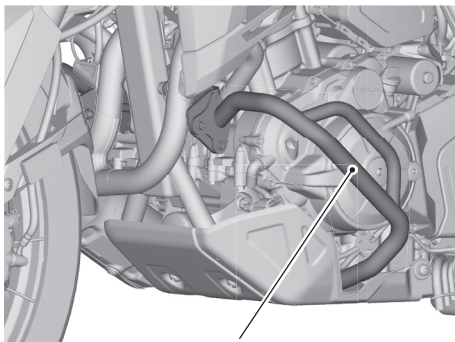
ACCESSORY SOCKET



- The maximum power rating of connected accessories is 24W (12V, 2A).
- Use accessories with engine running to avoid discharging the battery.
- Do not use a cigarette lighter, as this can cause a malfunction.
- Cover the socket with the cap when the accessory socket is not used to prevent entry of foreign objects.
- Carefully secure any connected devices, as vibrations may cause them to shift unexpectedly.
- Do not use the accessory socket when the motorcycle is being washed.
- Check the accessory mounts frequently and retighten if necessary.
- Clean this accessory with a soft cloth soaked with a solution of mild detergent and water. Then wipe with a clean cloth soaked with water to clean dirt and detergent. Finally wipe dry with a soft, clean cloth.

### MEMO

### ENGINE GUARD



ENGINE GURARD

- Check the accessory mounts frequently and retighten if necessary.
- Clean this accessory with a soft cloth soaked with a solution of mild detergent and water. Then wipe with a clean cloth soaked with water to clean dirt and detergent. Finally wipe dry with a soft, clean cloth.