



INSTALLATION INSTRUCTIONS

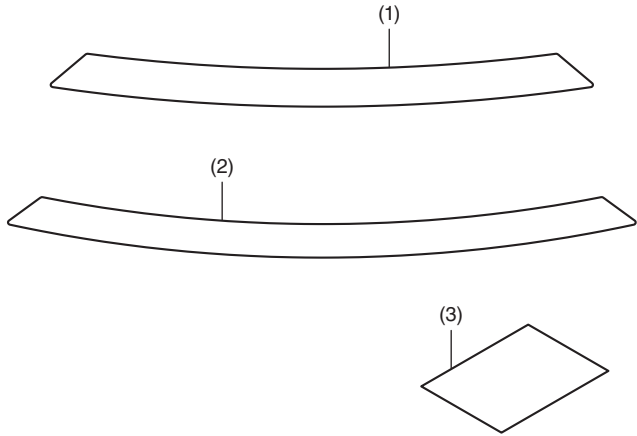
Accessory
WHEEL STRIPE
 P/N 08F70-MKS-E20

Application
CRF1100A2/A4/D2/D4

Publication No.
MII
 Issue Date
April 2021

Honda Dealer: Please give a copy of these instructions to your customer.

PARTS LIST



No.	Description	Qty
(1)	Rear wheel rim stripe	4
(2)	Front wheel rim stripe	4
(3)	URL paper	1

SUPPLIES REQUIRED

- Isopropyl alcohol
- Shop towel

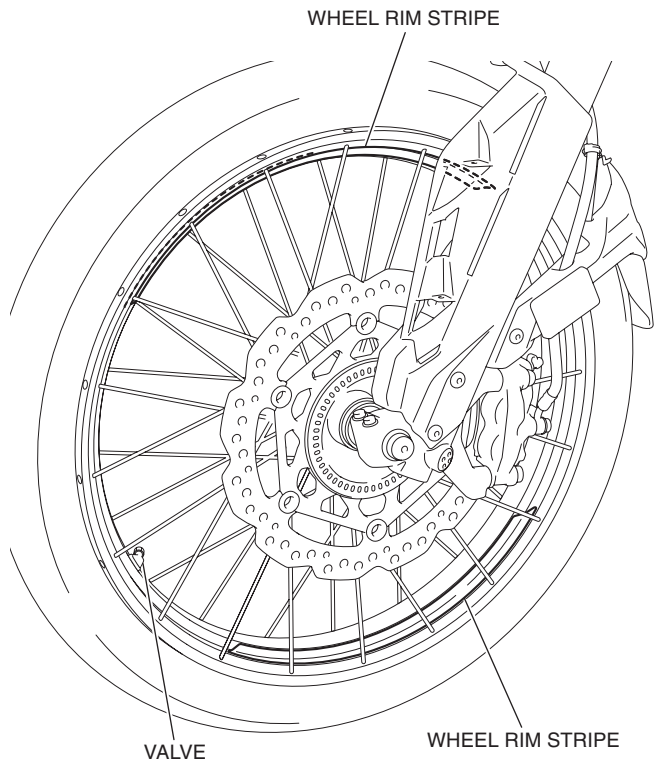
INSTALLATION

▲ CAUTION

- To prevent burns, allow the engine, exhaust system, radiator, etc., to cool before installing the accessory.

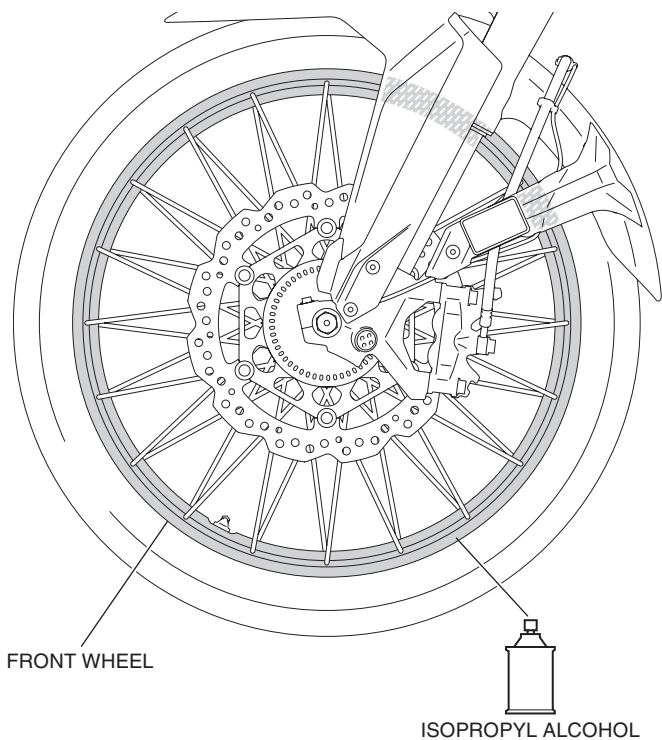
NOTE:

- Heat the bonding surfaces with a hair dryer if the ambient air temperature is below 70°F (21°C).
- The adhesive reaches full strength in 72 hours. Wait at least 24 hours before riding your motorcycle.
- To neatly attach this accessory, attach it while lifting the tire with the maintenance stand or similar and adjusting the space between the wheel rim stripe and rim.
- Attach the two wheel rim stripe to the one side of the wheel in a diagonal line while avoiding the valve as shown.

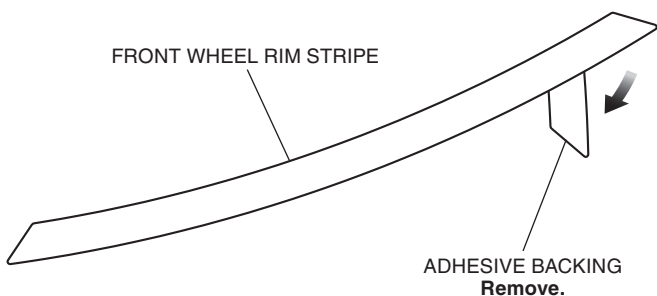


1. Clean the surface of the area shown using an isopropyl alcohol.

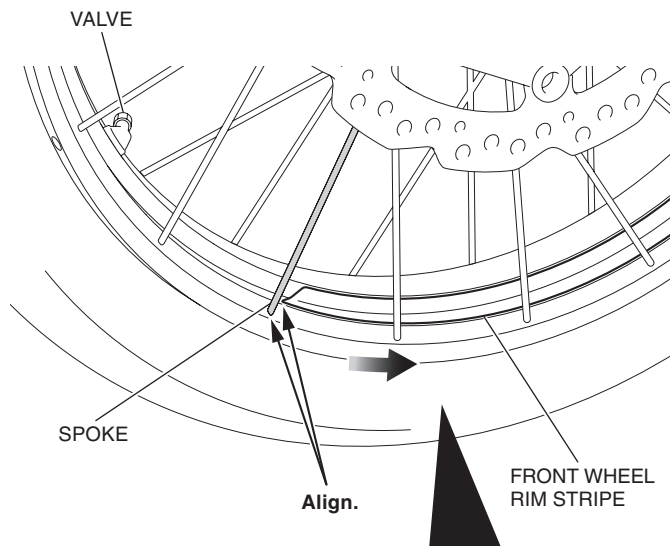
<Left side>



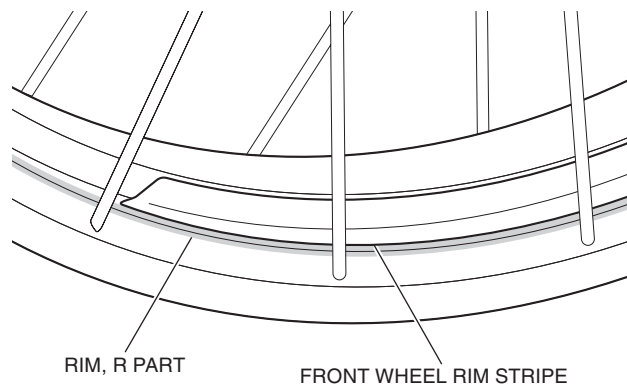
2. Remove the adhesive backing on the front wheel rim stripe as shown.



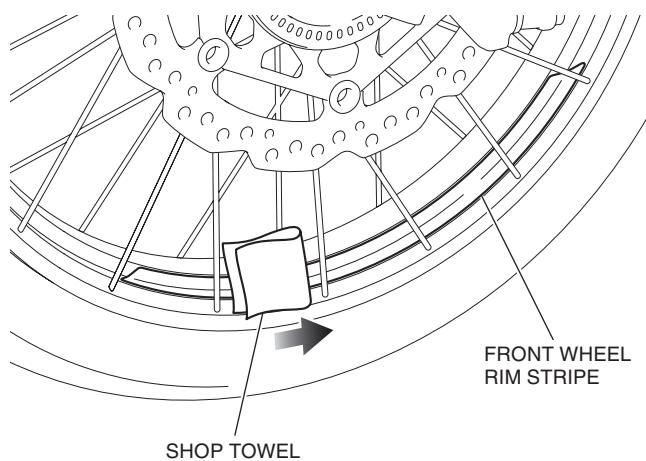
3. Attach the front wheel rim stripe as shown.
 - Attach the front wheel rim stripe aligning the edge with the spoke and avoiding the valve.
 - Being careful not to allow air bubbles, glue on the front wheel rim stripe while adjusting the space between the front wheel rim stripe and the rim.
 - Do not glue on while pulling and stretching the front wheel rim stripe.



Attach the front wheel rim stripe avoiding R part of the rim as shown.

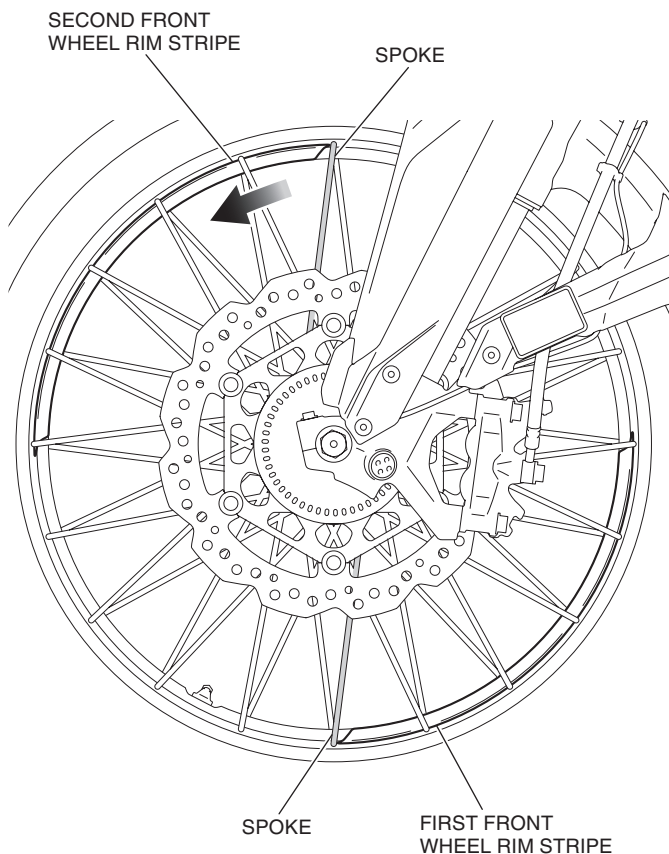


4. Using a shop towel, force out excessive air.



5. Install the front wheel rim stripe in the same way as the diagonal side.

- **Attach the second front wheel rim stripe aligning its edge with the diagonal spoke of the spoke that the beginning of attaching the first front wheel stripe.**



6. Install the right side of the front wheel rim stripe in the same way as the left side.

- **Install the right side of the front wheel rim stripe in the same position as the left side.**

7. Install the rear wheel rim stripe in the same way as the front side.