



INSTALLATION INSTRUCTIONS

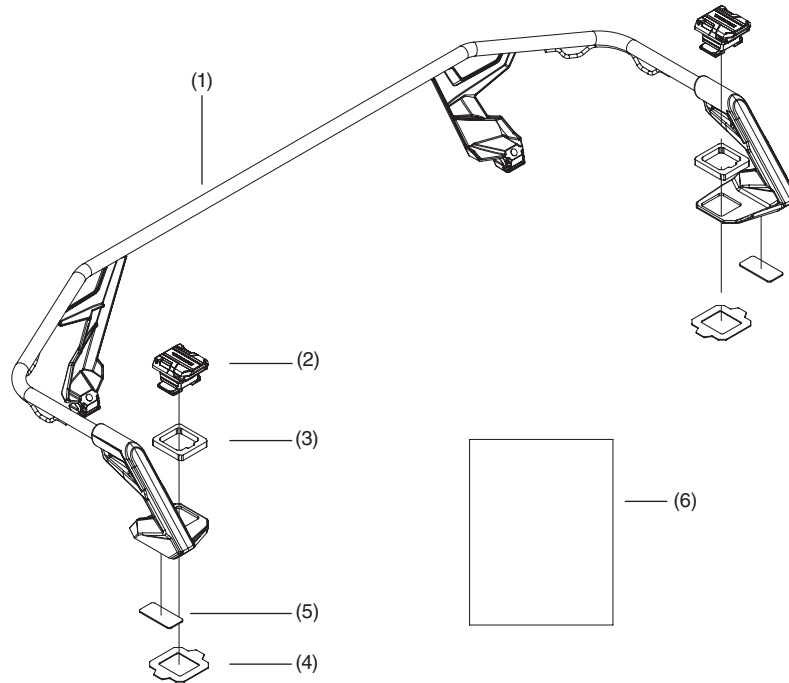
Accessory
REAR CARRIER EXTENDER
P/N 0SL74-HR4-A01

Application
TRX420 AFTER 2020
TRX520 AFTER 2020
TRX700 2024

Publication No.
MII 17151
Issue Date
February 2021

Honda Dealer: Please give a copy of these instructions to your customer.

PARTS LIST



No.	Description	Qty
(1)	Rear Rack Extender	1
(2)	Honda Pro-Connect™ Latch	2
(3)	Rubber Spacer	2
(4)	Snap Ring	2
(5)	Rubber Pad	2
(6)	Installation Instruction URL	1

⚠ WARNING:

Overloading this ATV or improperly carrying cargo can affect handling, braking performance and stability and can lead to a crash resulting in **SERIOUS INJURY** or **DEATH**

- **NEVER** exceed the maximum weight limit printed on the vehicle and in the ATV owner's manual
- **ALWAYS** secure cargo carried in the rack extender to ATV rack to securely prevent shifting.

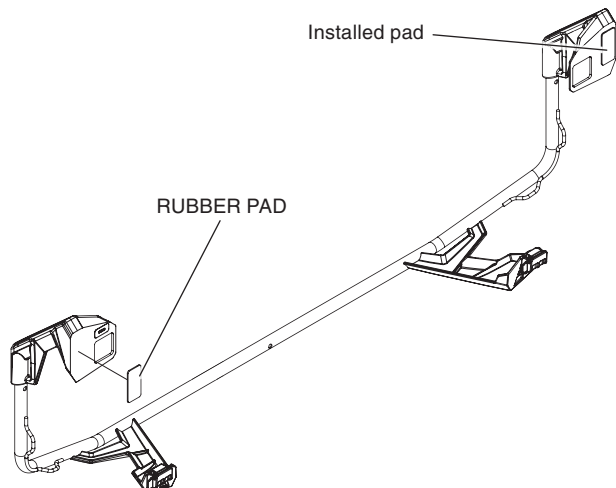
NOTE:

- Always make sure the Pro-Connect™ latches are properly engaged before riding.
- Never allow anyone to sit or ride on bed rack at any time.
- Please read and follow all instructions and warning supplied with the rack extender.

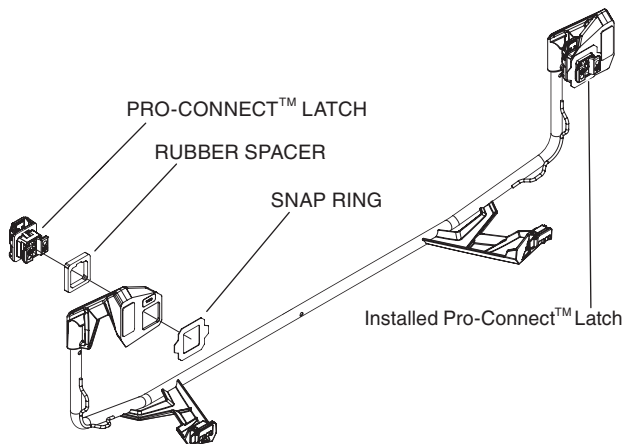
INSTALLATION

1. Remove the paper backing from the back of the rubber pad to expose the adhesive. Install the rubber pads in the locations shown.

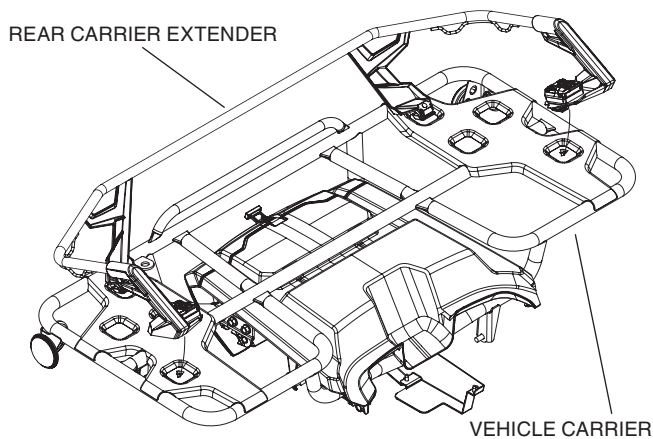
NOTE: Be sure the mating surface on the rear carrier extender is clean before installing the rubber pad.



2. Install two Honda Pro-Connect™ latches into the rear carrier extender using a rubber spacer between each latch and the carrier extender. Secure the latches to the front carrier extender by installing a snap ring onto each latch from underneath the carrier extender.



3. Lift the lever on each latch to unlock them. Place the rear carrier extender onto the rear carrier of the ATV. Line up each latch with its corresponding hole in the carrier then push each latch into its hole.



4. Secure the cargo box to the vehicle by pressing down each Honda Pro-Connect™ lever.

