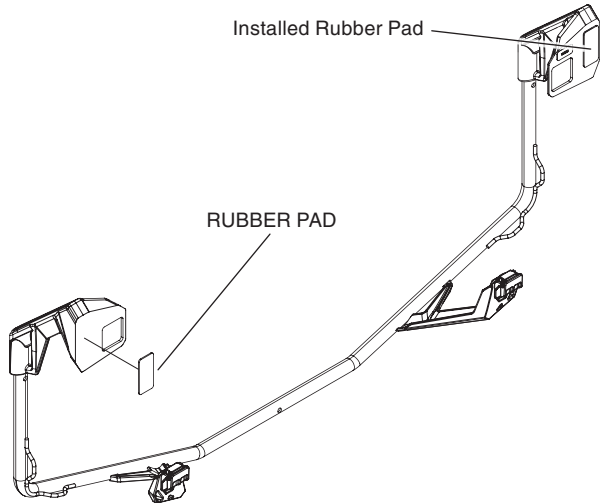


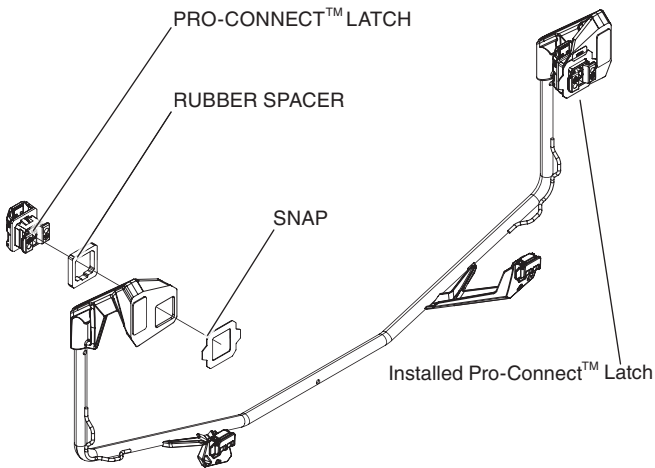
INSTALLATION

1. Remove the paper backing from the back of the rubber pad to expose the adhesive. Install the rubber pads in the locations shown.

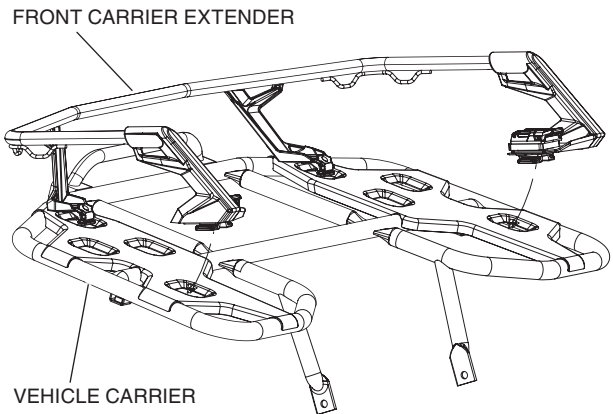
NOTE: Be sure the mating surface on the front carrier extender is clean before installing the rubber pad.



2. Install two Honda Pro-Connect™ latches into the front carrier extender using a rubber spacer between each latch and the carrier extender. Secure the latches to the front carrier extender by installing a snap ring onto each latch from underneath the carrier extender.



3. Lift the lever on each latch to unlock them. Place the front carrier extender onto the front carrier of the ATV. Line up each latch with its corresponding hole in the carrier then push each latch into its hole.



4. Secure the cargo box to the vehicle by pressing down each Honda Pro-Connect™ lever.

