



INSTALLATION INSTRUCTIONS

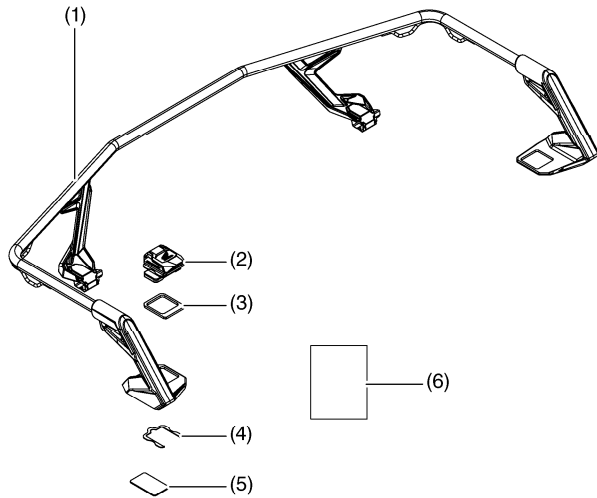
Accessory
FRONT CARRIER EXTENDER
P/N 0SL73-HR4-A00

Application
After '19 TRX420
After '19 TRX520

Publication No.
MII 17151
Issue Date
October 2019

Honda Dealer: Please give a copy of these instructions to your customer.

PARTS LIST

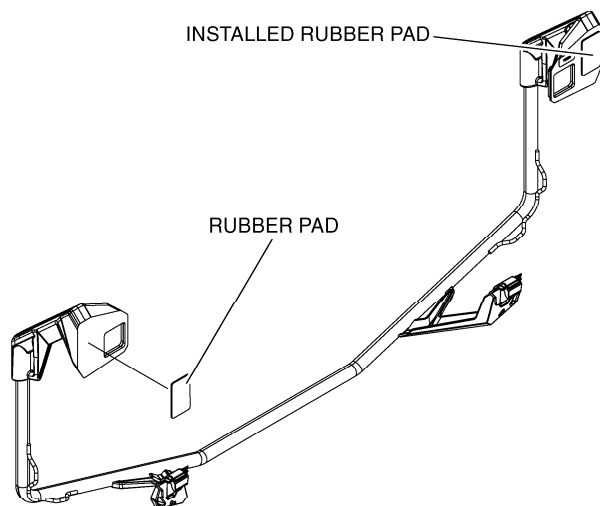


No.	Description	Qty
(1)	Front carrier extender	1
(2)	Honda Pro-Connect™ latch	2
(3)	Rubber spacer	2
(4)	Snap ring	2
(5)	Rubber pad	2
(6)	Installation Instruction URL	1

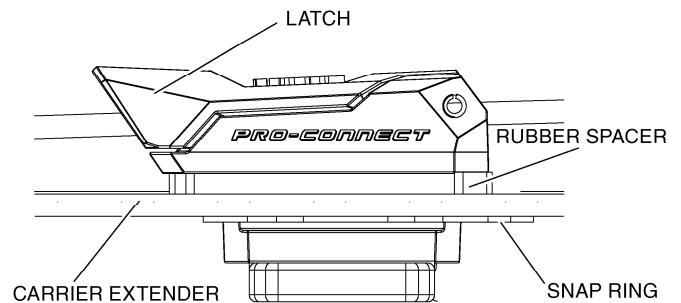
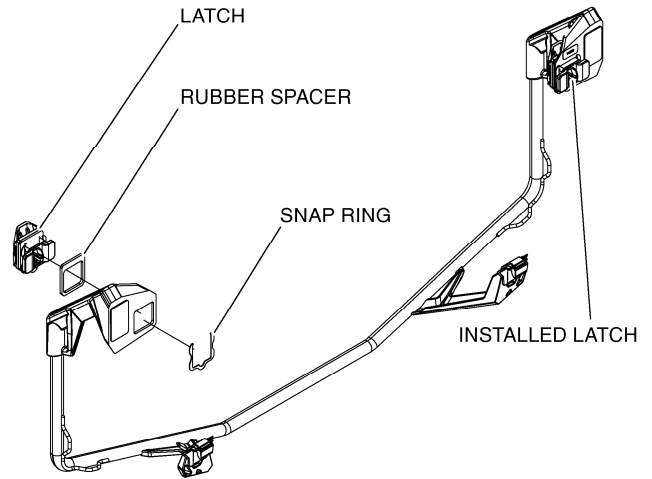
INSTALLATION

1. Remove the paper backing from the back of the rubber pad to expose the adhesive. Install the rubber pads in the locations shown.

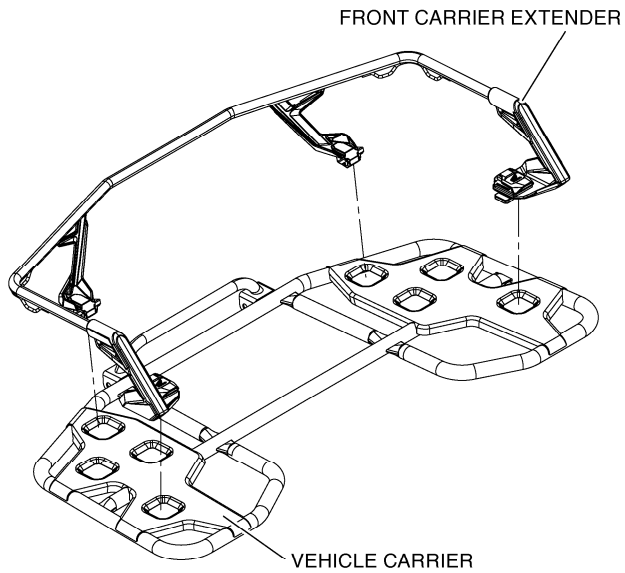
NOTE: Be sure the mating surface on the front carrier extender is clean before installing the rubber pad.



2. Install two Honda Pro-Connect™ latches into the front carrier extender using a rubber spacer between each latch and the carrier extender. Secure the latches to the front carrier extender by installing a snap ring onto each latch from underneath the carrier extender.



3. Lift the lever on each latch to unlock them. Place the front carrier extender onto the front carrier of the ATV. Line up each latch with its corresponding hole in the carrier then push each latch into its hole.



4. Secure the front carrier extender to the vehicle carrier by pressing down each Honda Pro-Connect™ lever.

