



# INSTALLATION INSTRUCTIONS

Accessory

FRONT GUARD  
P/N 08P70-HR6-B00

Application

TRX520FA5/FA6/FA7/FE2/  
FM1/FM2/FM6

Publication No.

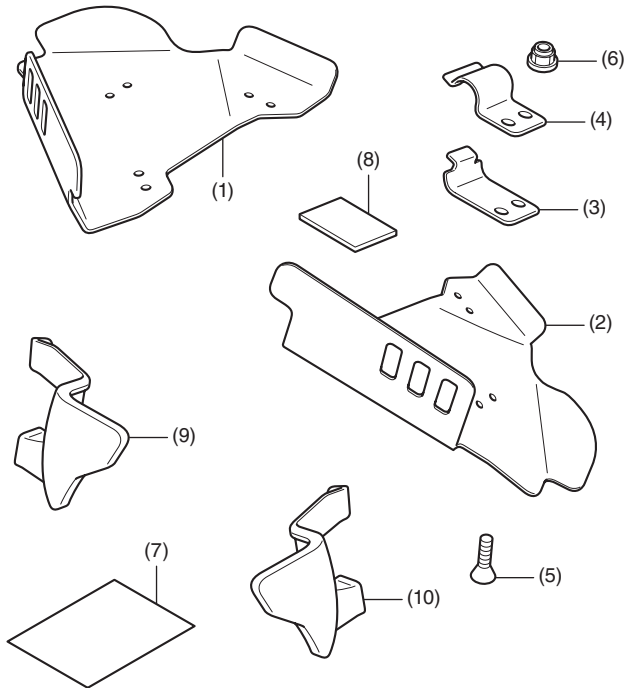
MII

Issue Date

April 2019

**Honda Dealer: Please give a copy of these instructions to your customer.**

## PARTS LIST



No.	Description	Qty
(1)	Front right arm guard	1
(2)	Front left arm guard	1
(3)	Tabbed bracket	6
(4)	Slotted bracket	6
(5)	6 mm screw	12
(6)	6 mm flange nut	12
(7)	Installation Instructions URL	1
(8)	Rubber band	2
(9)	Right front outboard guard	1
(10)	Left front outboard guard	1

## TOOLS REQUIRED

Socket (10 mm)  
Ratchet  
Box-end wrench (10 mm)  
Phillips ® screwdriver  
Torque wrench

## TORQUE CHART

Tighten all screws, bolts, and nuts to their specified torque values. Refer to the Service Manual for the torque values of the removed parts.

Item	N·m	kgf·m	lbf·ft
6 mm flange nut	10	1.0	7

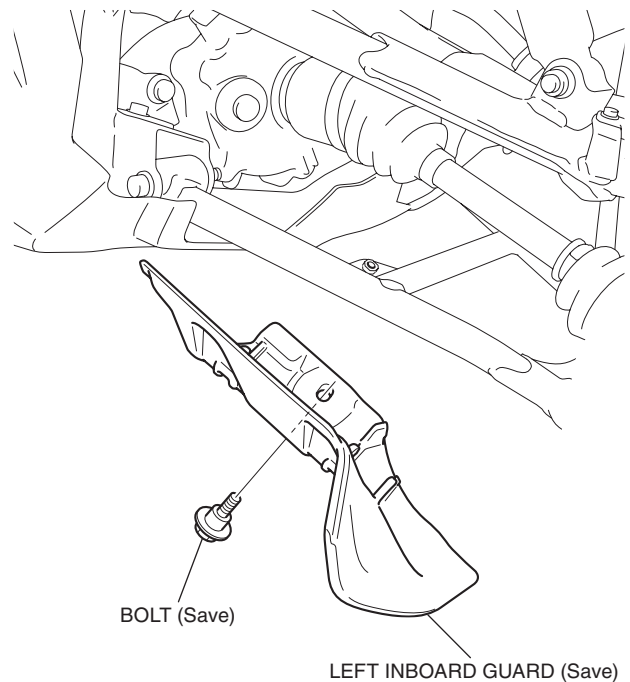
## INSTALLATION

### ▲ CAUTION

- To prevent burns, allow the engine, exhaust system, radiator, etc., to cool before installing the accessory.

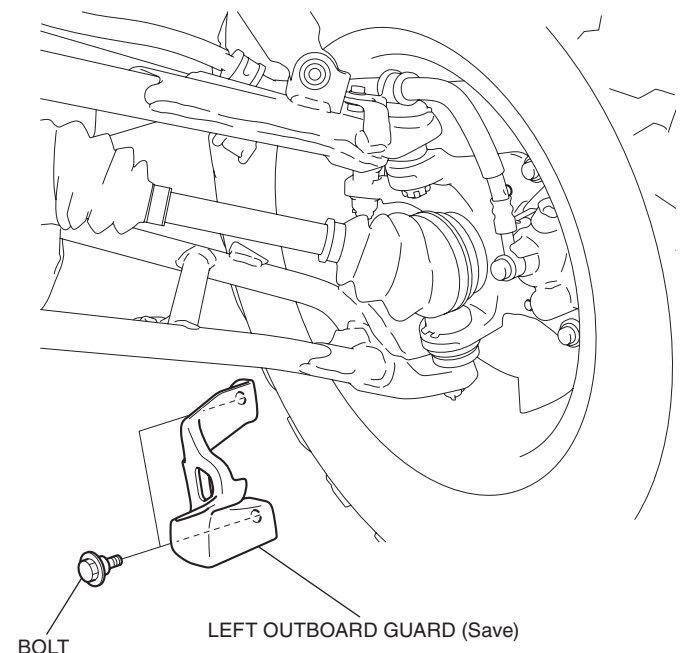
1. Remove the left inboard guard as shown.

<Left side>

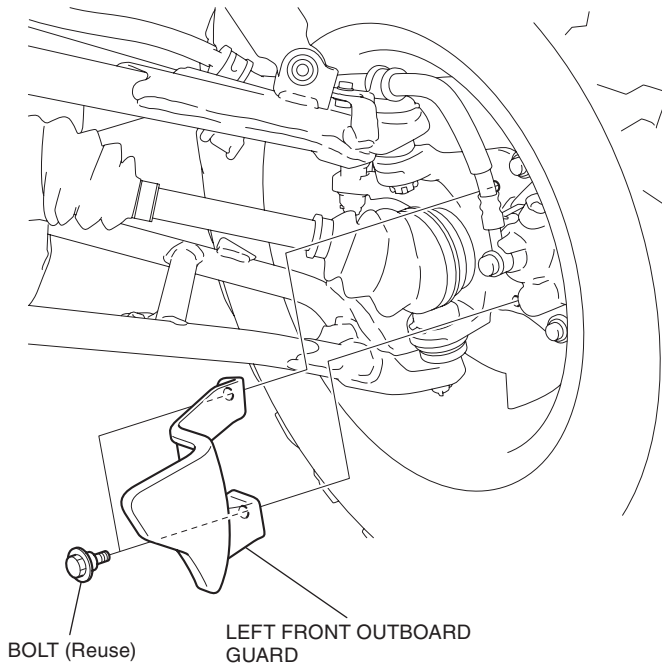


2. Remove the left outboard guard as shown.

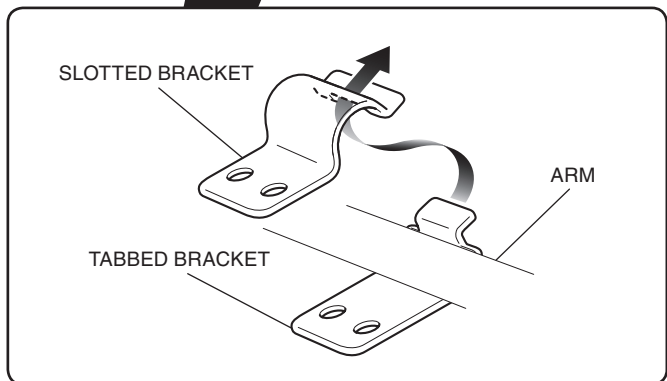
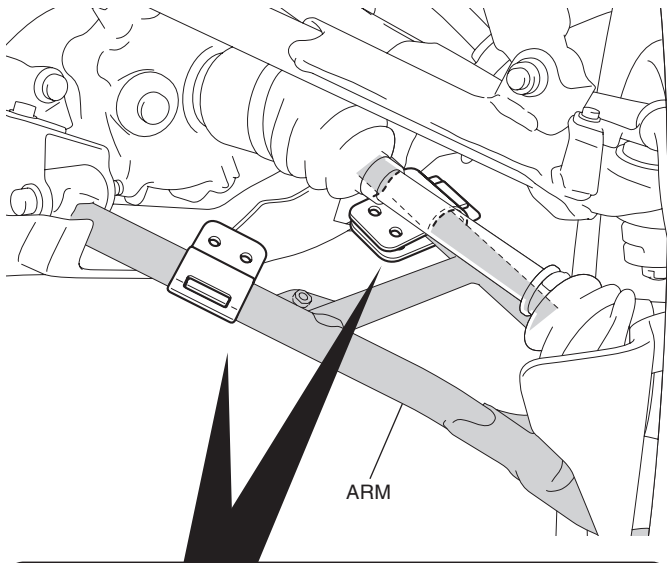
<Left side>



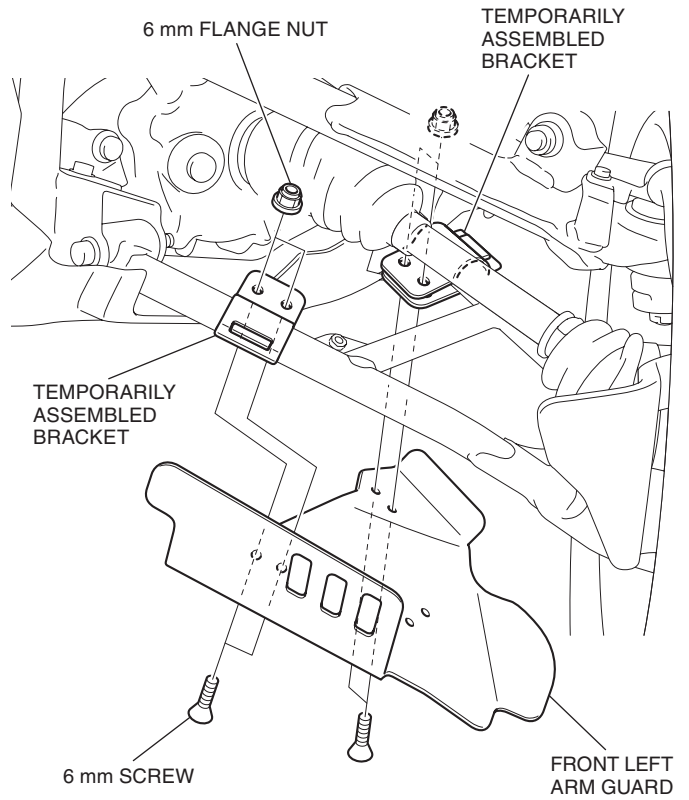
3. Install the left front outboard guard as shown.



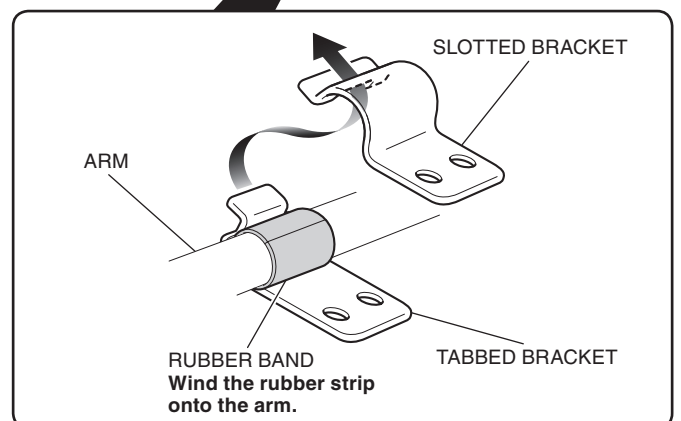
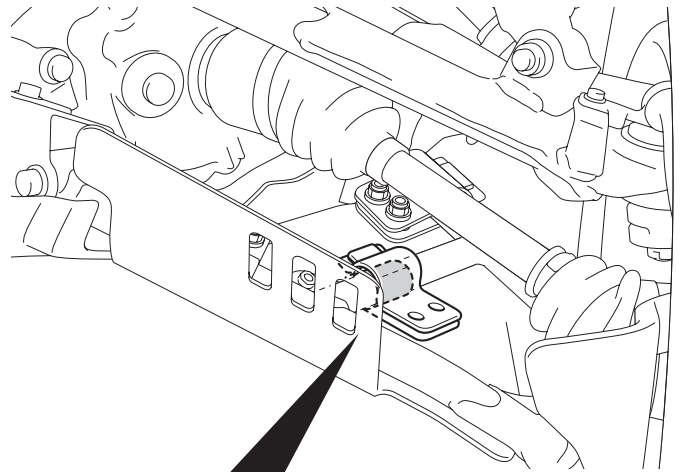
4. Temporarily assemble the tabbed bracket and slotted bracket as shown.



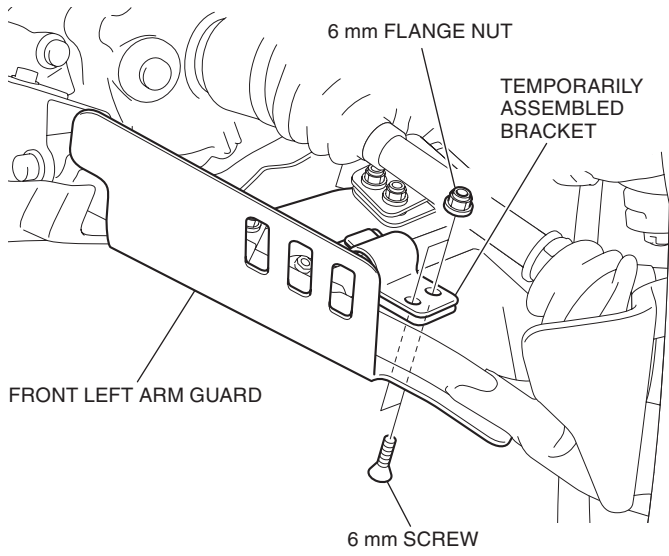
5. Loosely install the front left arm guard as shown.



6. Temporarily assemble the tabbed bracket and slotted bracket as shown.



7. Loosely install the parts as shown.



8. Tighten securely after adjusting the overall balance.
9. Install the right front outboard guard and front right arm guard in the same manner as the left side.